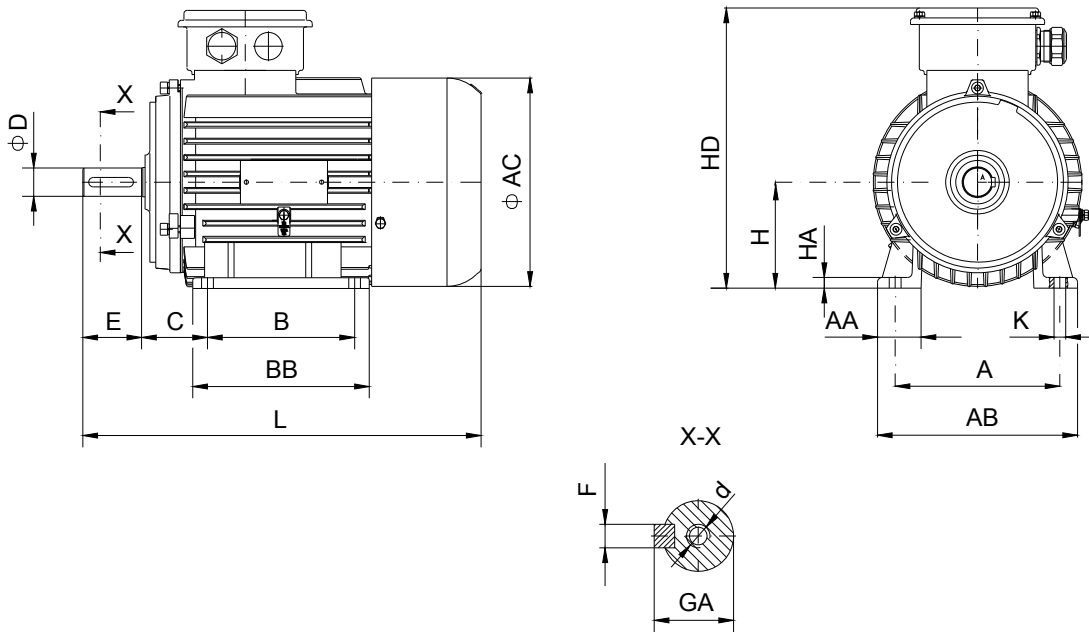


DATA SHEET

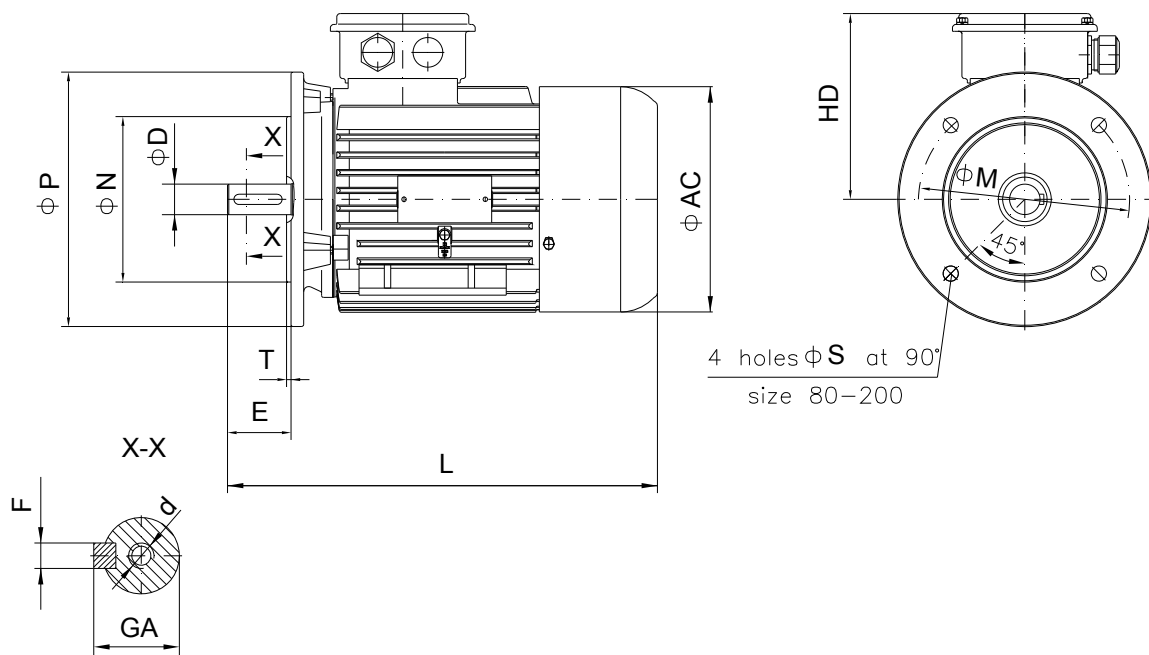
- Type.....E2-ASNA 132M-4
- Reference standard..... IEC 60034-1; 60034-30
60079-0;
60079-15
- Rated output..... 7.5 kW
- Rated stator voltage.....400V
- Stator current at 100% load 14.5[A]
- Number of poles.....4
- Rated speed.....1455 rev/min
- Rated frequency.....50Hz
- Efficiency at 100%, 75%, 50% load.....90.0%, 89.6%, 89.0%
- Power factor at 100% load.....0.83
- Break-down torque.....2.9 x Mn
- Locked rotor torque.....2.4 x Mn
- Locked rotor current.....7.3 x In
- Rotor inertia.....0.05246 kgm²
- Insulation class.....F
- Direction of rotation.....Both(CW&CCW)
- Protection degree.....≥IP55
- Mounting.....IM
- Cooling method.....IC 411
- Max. ambient temperature+ 40°C
- Altitude.....1000m
- Bearing type.....6308 2Z drive end
6308 2Z non drive end
- Weight.....91Kg
- Outline drawing.....Page 2
- Vibration level :.....A (acc.IEC 60034-14)
- Noise levelacc.IEC 60034-9
- Cable entries.....2xM32x1.5
- Climate executionN

**The overall and mounting dimensions
IM 1001**



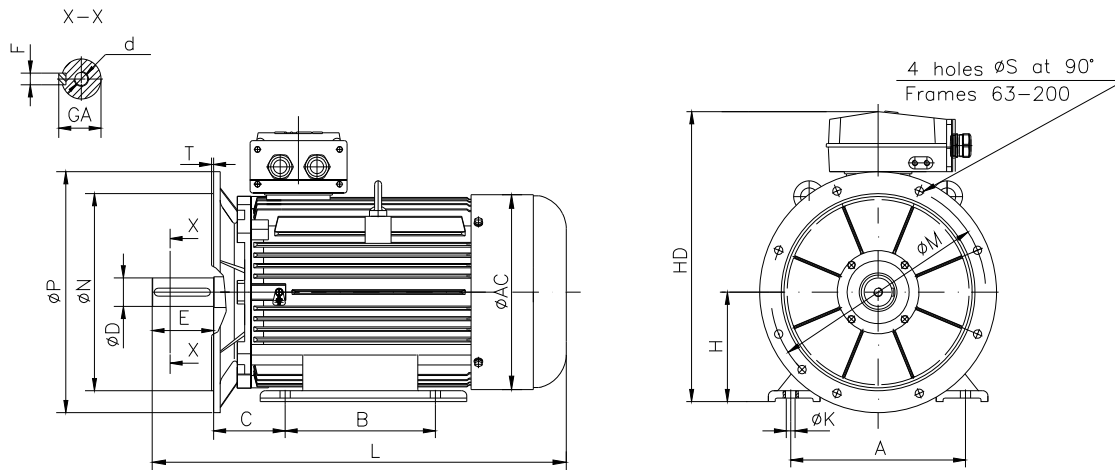
| Frame size | Dimensions (mm) | | | | | | | | | | | | | | | | |
|------------|-----------------|-----|----|-----|----|----|-----|-----------------|----|------|----|------|----|-----|--------|-----|-------|
| | Foot mounting | | | | | | | Shaft extension | | | | | | | HD max | AC | L max |
| A | B | C | H | K | AA | AB | BB | HA | D | E | F | GA | d | | | | |
| 132M-4 | 216 | 178 | 89 | 132 | 12 | 68 | 264 | 220 | 14 | 38k6 | 80 | 10h9 | 41 | M12 | 400 | 263 | 653 |

**The overall and mounting dimensions
IM 3001; IM 3011**



| Frame size | Dimensions (mm) | | | | | | | | | | | | |
|------------|----------------------|-----|-----|------|---|-----------------|----|------|----|-----|--------|-----|-------|
| | Flange mounting (B5) | | | | | Shaft extension | | | | | HD max | AC | L max |
| N | M | P | S | T | D | E | F | GA | d | | | | |
| 132M-4 | 230j6 | 265 | 300 | 14.5 | 4 | 38k6 | 80 | 10h9 | 41 | M12 | 268 | 263 | 653 |

**The overall and mounting dimensions
IMB35**



| Frame size | Dimensions (mm) | | | | | | | | | | | | | | | | | |
|------------|-----------------|-----|----|-------------------|----|-----------------|-----|-----|------|---|-----------------|----|------|----|-----|--------|-----|-------|
| | Foot mounting | | | | | Flange mounting | | | | | Shaft extension | | | | | HD max | AC | L max |
| | A | B | C | H _{-0,5} | K | N | M | P | S | T | D | E | F | GA | d | | | |
| 132M-4 | 216 | 178 | 89 | 132 | 12 | 230 | 265 | 300 | 14.5 | 4 | 38k6 | 80 | 10h9 | 41 | M12 | 400 | 263 | 653 |