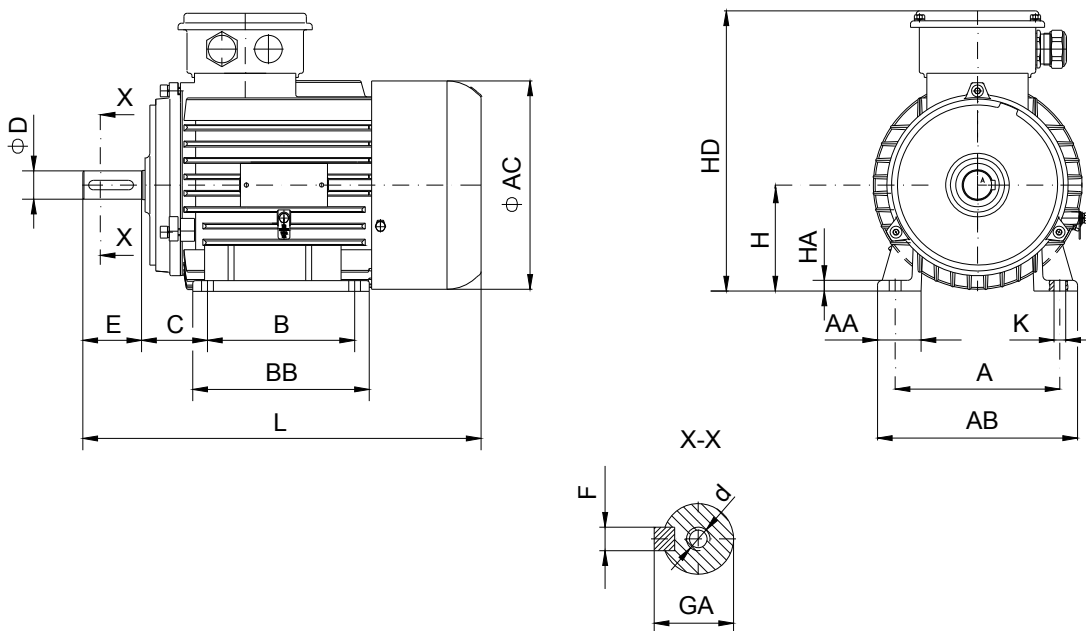


DATA SHEET

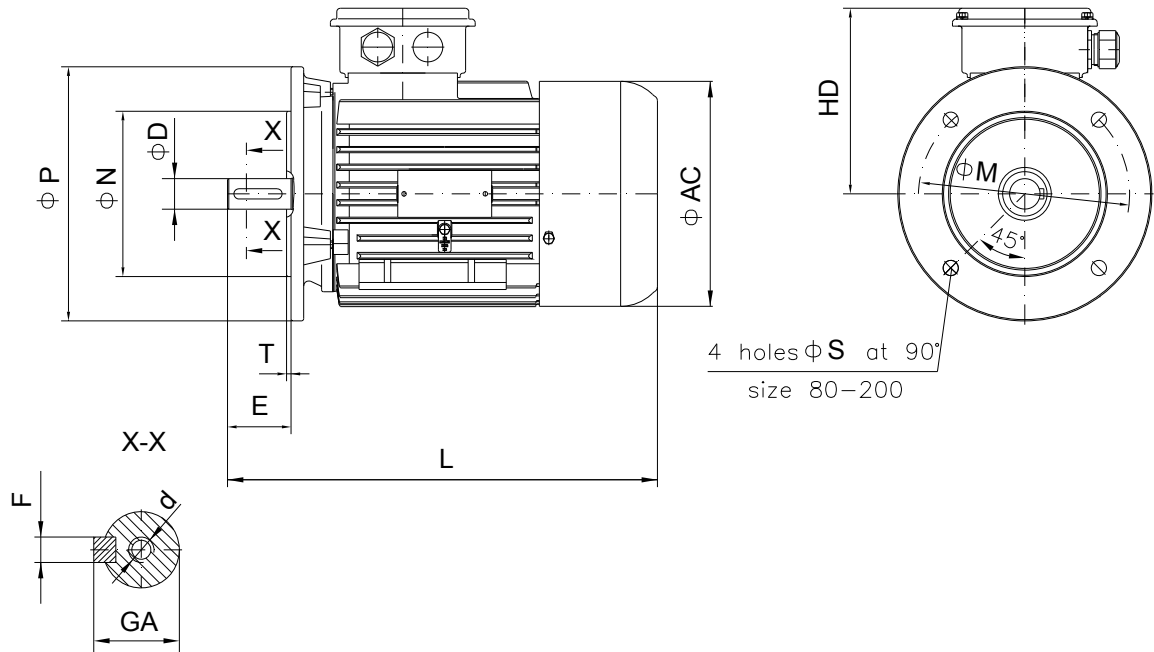
- Type.....E2-ASNA 112Mb-6
- Reference standard.....IEC 60034-1; 60034-30
60079-0;
60079-15
- Rated output..... 2.2 kW
- Rated stator voltage.....400V
- Stator current at 100% load4.71[A]
- Number of poles.....6
- Rated speed.....955 rev/min
- Rated frequency.....50 Hz
- Efficiency at 100%, 75%, 50% load.....82.9%, 82.7%, 79.5%
- Power factor at 100% load.....0.81
- Break-down torque.....2.1 x Mn
- Locked rotor torque.....2.1 x Mn
- Locked rotor current.....5.8 x In
- Rotor inertia.....0.02696 kgm²
- Insulation class.....F
- Direction of rotation.....Both(CW&CCW)
- Protection degree.....≥IP55
- Mounting.....IM
- Cooling method.....IC 411
- Max. ambient temperature.....+ 40°C
- Altitude.....1000m
- Bearing type.....6307 2Z drive end
6307 2Z non drive end
- Weight.....49Kg
- Outline drawing.....Page 2
- Vibration level :.....A (acc.IEC 60034-14)
- Noise levelacc.IEC 60034-9
- Cable entries.....2xM32x1.5
- Climate executionN

**The overall and mounting dimensions
IM 1001**



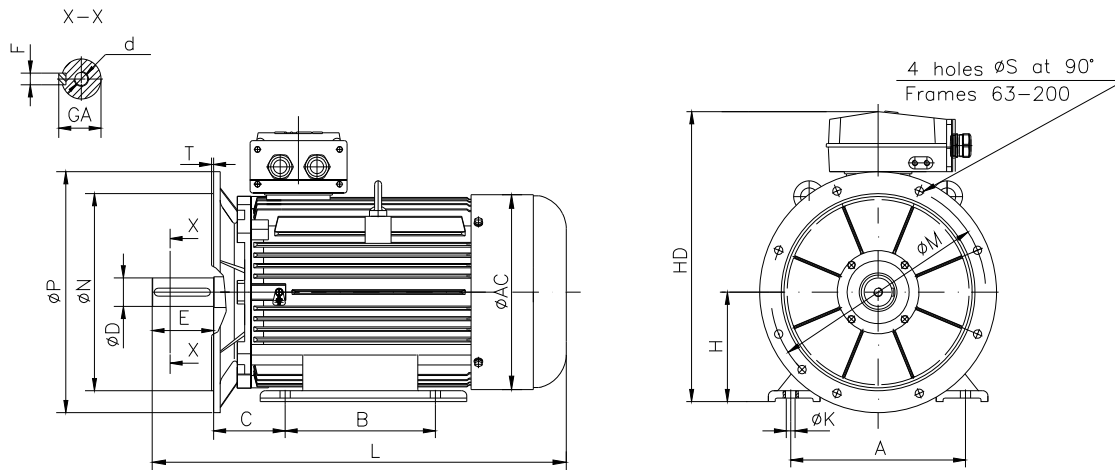
Frame size	Dimensions (mm)															HD max	AC	L max
	Foot mounting							Shaft extension										
	A	B	C	H	K	AA	AB	BB	HA	D	E	F	GA	d				
112M b-6	190	140	70	112	12	55	224	176	12	28j6	60	8h9	31	M10	332	222	480	

**The overall and mounting dimensions
IM 3001; IM 3011**



Frame size	Dimensions (mm)											HD max	AC	L max
	Flange mounting (B5)					Shaft extension								
	N	M	P	S	T	D	E	F	GA	d				
112M b-6	180j6	215	250	14.5	4	28j6	60	8h9	31	M10	332	222	480	

**The overall and mounting dimensions
IMB35**



Frame size	Dimensions (mm)																	
	Foot mounting					Flange mounting					Shaft extension					HD max	AC	L max
A	B	C	H _{0.5}	K	N	M	P	S	T	D	E	F	GA	d				
112Mb-6	190	140	70	112	12	180	215	250	14.5	4	28j6	60	8h9	31	M10	332	222	480