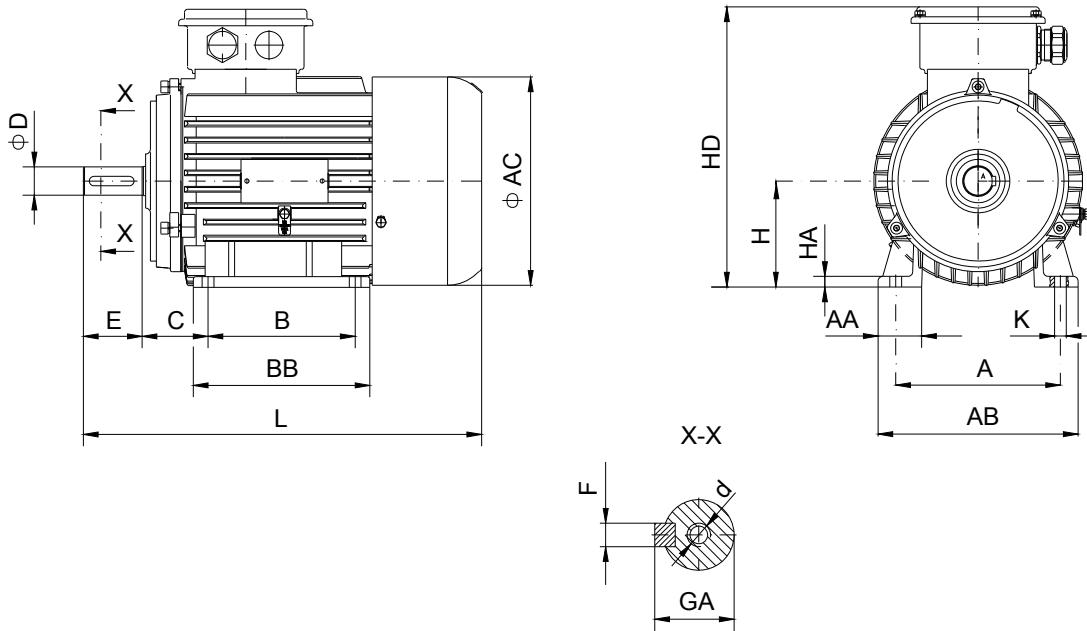


DATA SHEET

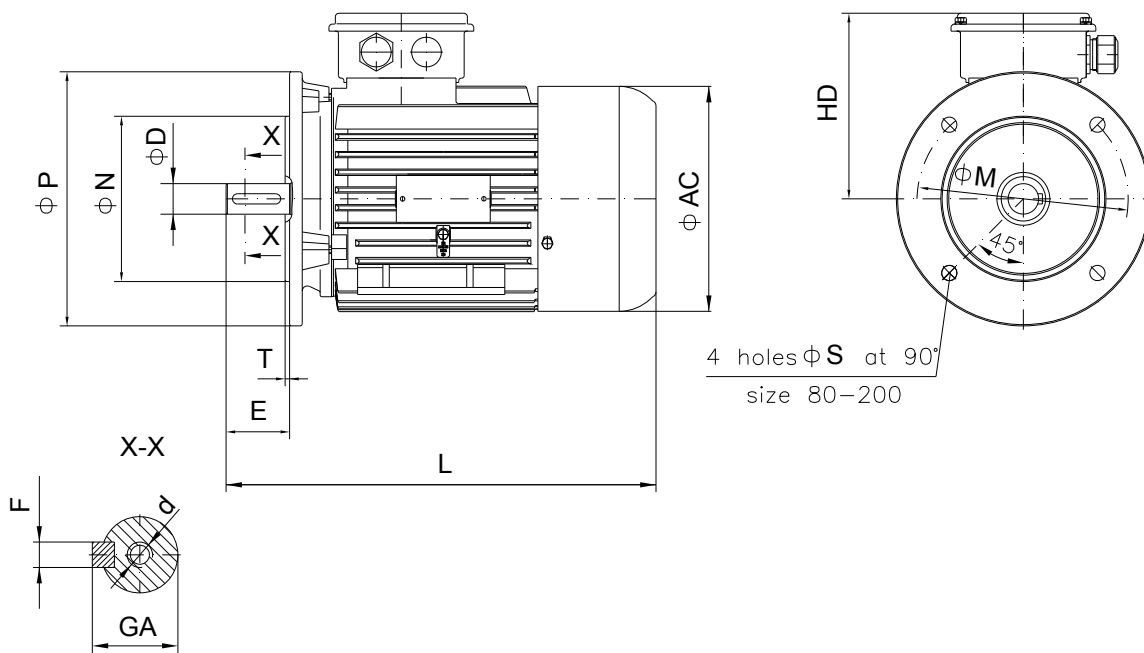
○ Type.....	E2-ASNA 100Lb-6
○ Reference standard.....	IEC 60034-1; 60034-30 60079-0; 60079-15
○ Rated output.....	1.5 kW
○ Rated stator voltage.....	400V
○ Stator current at 100% load	3.68 [A]
○ Number of poles.....	6
○ Rated speed.....	965 rev/min
○ Rated frequency.....	50 Hz
○ Efficiency at 100%, 75%, 50% load.....	80.4%, 79.0%, 74.8%
○ Power factor at 100% load.....	0.73
○ Break-down torque.....	2.2 x Mn
○ Locked rotor torque.....	2.2 x Mn
○ Locked rotor current.....	5.7 x In
○ Rotor inertia.....	0.01735 kgm ²
○ Insulation class.....	F
○ Direction of rotation.....	Both(CW&CCW)
○ Protection degree.....	≥IP55
○ Mounting.....	IM
○ Cooling method.....	IC 411
○ Max. ambient temperature.....	+ 40°C
○ Altitude.....	1000m
○ Bearing type.....	6306 2Z drive end 6306 2Z non drive end
○ Weight.....	40Kg
○ Outline drawing.....	Page 2
○ Vibration level :.....	A (acc.IEC 60034-14)
○ Noise level	acc.IEC 60034-9
○ Cable entries.....	2xM32x1.5
○ Climate execution	N

**The overall and mounting dimensions
IM 1001**



Frame size	Dimensions (mm)																
	Foot mounting									Shaft extension					HD max	AC	L max
A	B	C	H	K	AA	AB	BB	HA	D	E	F	GA	d				
100Lb-6	160	140	63	100	12	47	200	176	10	28j6	60	8h9	31	M10	307	199	465

**The overall and mounting dimensions
IM 3001; IM 3011**



Frame size	Dimensions (mm)											HD max	AC	L max
	Flange mounting (B5)					Shaft extension								
	N	M	P	S	T	D	E	F	GA	d				
100L b-6	180j6	215	250	14.5	4	28j6	60	8h9	31	M10	207	199	465	

**The overall and mounting dimensions
IMB35**



Frame size	Dimensions (mm)																	
	Foot mounting					Flange mounting					Shaft extension					HD max	AC	L max
A	B	C	H _{-0,5}	K	N	M	P	S	T	D	E	F	GA	d				
100Lb-6	160	140	63	100	12	180	215	250	14.5	4	28j6	60	8h9	31	M10	307	199	465