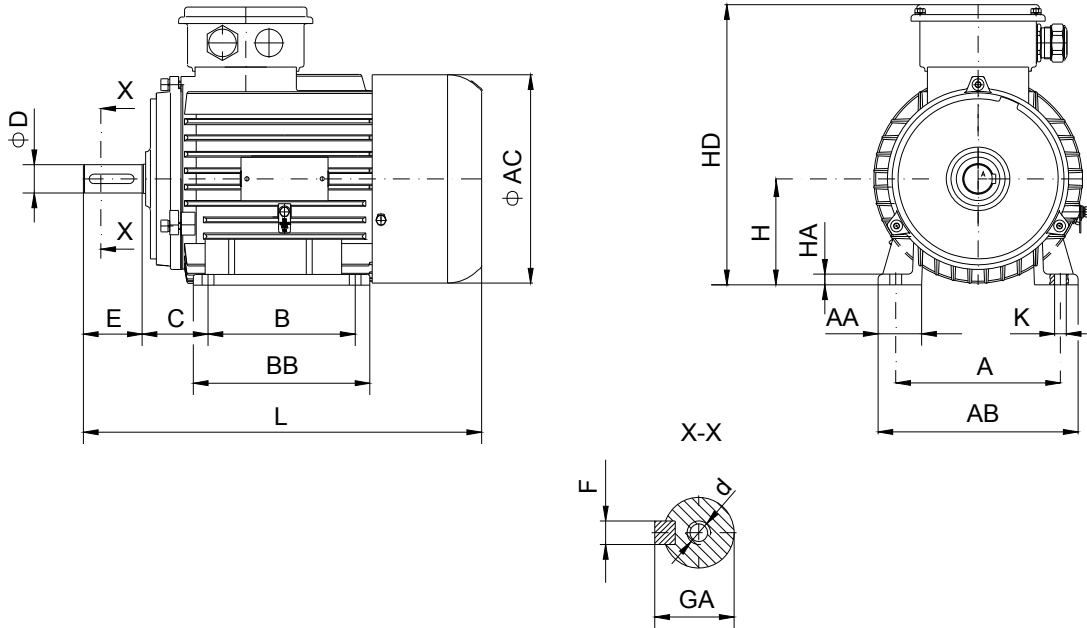


DATA SHEET

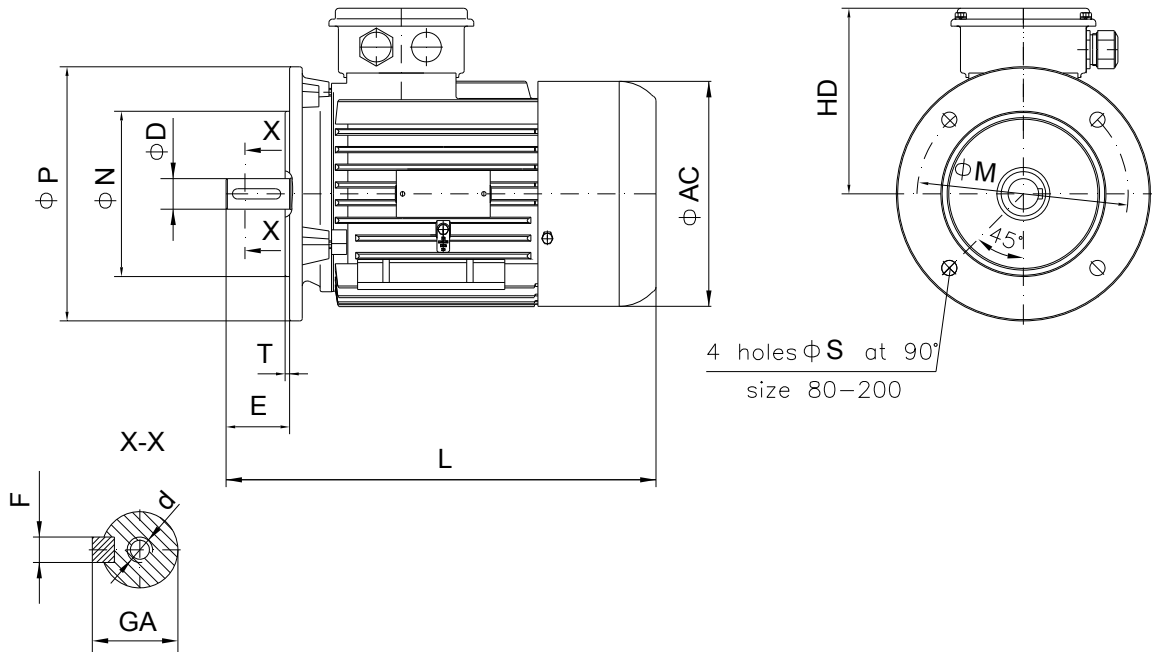
| | |
|---|---|
| ○ Type..... | E2-ASNA 100La-4 |
| ○ Reference standard..... | IEC 60034-1; 60034-30 60079-0; 60079-15 |
| ○ Rated output..... | 2.2 kW |
| ○ Rated stator voltage..... | 400V |
| ○ Stator current at 100% load | 4.87 [A] |
| ○ Number of poles..... | 4 |
| ○ Rated speed..... | 1442 rev/min |
| ○ Rated frequency..... | 50 Hz |
| ○ Efficiency at 100%, 75%, 50% load..... | 85.1%, 85.7%, 82.5% |
| ○ Power factor at 100% load..... | 0.77 |
| ○ Break-down torque..... | 2.4 x Mn |
| ○ Locked rotor torque..... | 2.3 x Mn |
| ○ Locked rotor current..... | 5.1 x In |
| ○ Rotor inertia..... | 0.00894 kgm ² |
| ○ Insulation class..... | F |
| ○ Direction of rotation..... | Both(CW&CCW) |
| ○ Protection degree..... | ≥IP55 |
| ○ Mounting..... | IM |
| ○ Cooling method..... | IC 411 |
| ○ Max. ambient temperature..... | +40°C |
| ○ Altitude..... | 1000m |
| ○ Bearing type..... | 6306 2Z drive end 6306 2Z non drive end |
| ○ Weight..... | 36Kg |
| ○ Outline drawing..... | Page 2 |
| ○ Vibration level :..... | A (acc.IEC 60034-14) |
| ○ Noise level | acc.IEC 60034-9 |
| ○ Cable entries..... | 2xM32x1.5 |
| ○ Min and max admissible supply cable diameter..... | 9.5-18.5mm |
| ○ Climate execution | N |

**The overall and mounting dimensions
IM 1001**



| Frame size | Dimensions (mm) | | | | | | | | | | | | | | | | |
|------------|-----------------|-----|----|-----|----|----|-----|-----|----|-----------------|----|-----|----|-----|--------|-----|-------|
| | Foot mounting | | | | | | | | | Shaft extension | | | | | HD max | AC | L max |
| 100La-4 | A | B | C | H | K | AA | AB | BB | HA | D | E | F | GA | d | | | |
| | 160 | 140 | 63 | 100 | 12 | 47 | 200 | 176 | 10 | 28j6 | 60 | 8h9 | 31 | M10 | 307 | 199 | 435 |

**The overall and mounting dimensions
IM 3001; IM 3011**



| Frame size | Dimensions (mm) | | | | | | | | | | | | |
|------------|----------------------|-----|-----|------|---|-----------------|----|-----|----|-----|--------|-----|-------|
| | Flange mounting (B5) | | | | | Shaft extension | | | | | HD max | AC | L max |
| N | M | P | S | T | D | E | F | GA | d | | | | |
| 100L a-4 | 180j6 | 215 | 250 | 14.5 | 4 | 28j6 | 60 | 8h9 | 31 | M10 | 207 | 199 | 435 |

**The overall and mounting dimensions
IMB35**



| Frame size | Dimensions (mm) | | | | | | | | | | | | | | | | | |
|------------|-----------------|-----|-------------------|-----|----|-----------------|-----|-----|------|---|-----------------|----|-----|----|-----|--------|-----|-------|
| | Foot mounting | | | | | Flange mounting | | | | | Shaft extension | | | | | HD max | AC | L max |
| A | B | C | H _{-0,5} | K | N | M | P | S | T | D | E | F | GA | d | | | | |
| 100La-4 | 160 | 140 | 63 | 100 | 12 | 180 | 215 | 250 | 14.5 | 4 | 28j6 | 60 | 8h9 | 31 | M10 | 307 | 199 | 435 |