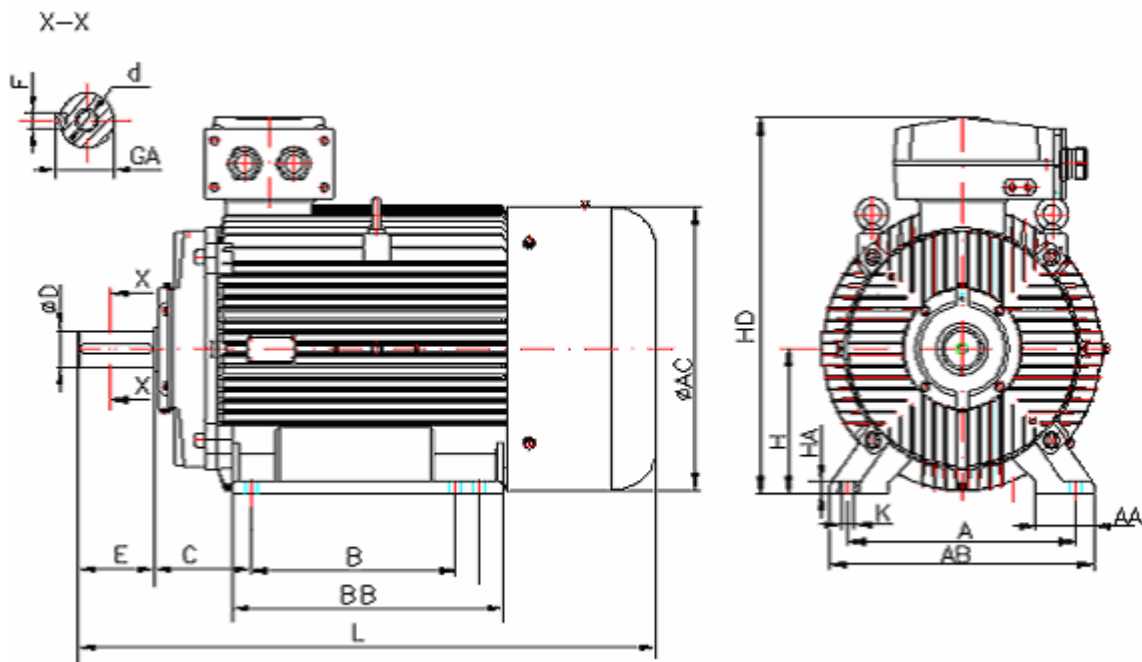


DATA SHEET

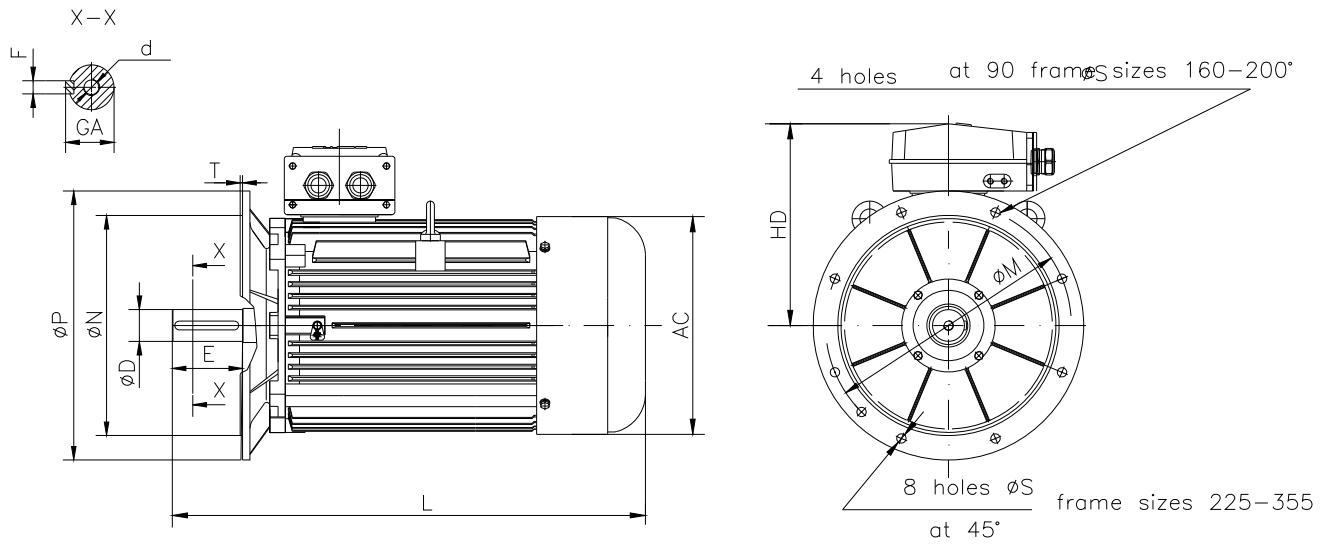
- Type.....ASNA 280S-8
- Reference standard..... IEC 60034-1
60079-0;
60079-15
- Rated output..... 37 kW
- Rated stator voltage.....400V
- Rated frequency.....50 Hz
- Stator current at 100% load.....75.96 A
- Number of poles.....8
- Rated speed.....725 rev/min
- Efficiency at 100% load.....89%
- Power factor at 100% load.....0.79
- Break-down torque.....2 x Mn
- Locked rotor torque.....1.8 x Mn
- Locked rotor current.....6 x In
- Rotor inertia.....1.42072 kgm²
- Insulation class.....F
- Direction of rotation.....Both(CW&CCW)
- Protection degree.....≥IP55
- Mounting.....IM
- Cooling method.....IC 411
- Max. ambient temperature.....+40°C
- Altitude.....1000m
- Bearing type.....6316 drive end
6316 non drive end
- Lubrication..... regreasable bearings with UNIREX N2,
Shell Alvania R3, SKF LGTH3
- Relubricating interval.....10700 hrs DE&NDE
- Correcting interval.....5600 hrs DE&NDE
- Grease quantity33g/bearingDE&NDE
- Weight..... 401 Kg
- Thermal winding protection.....3xPTC
- Outline drawing.....Page 2
- Vibration level :.....A(acc.IEC 60034-14)
- Noise levelacc.IEC 60034-9
- Cable entries.....2xM63x1.5
- Additional cable entries.....1xM16x1.5
- Climate executionN

**The overall and mounting dimensions
IM 1001**



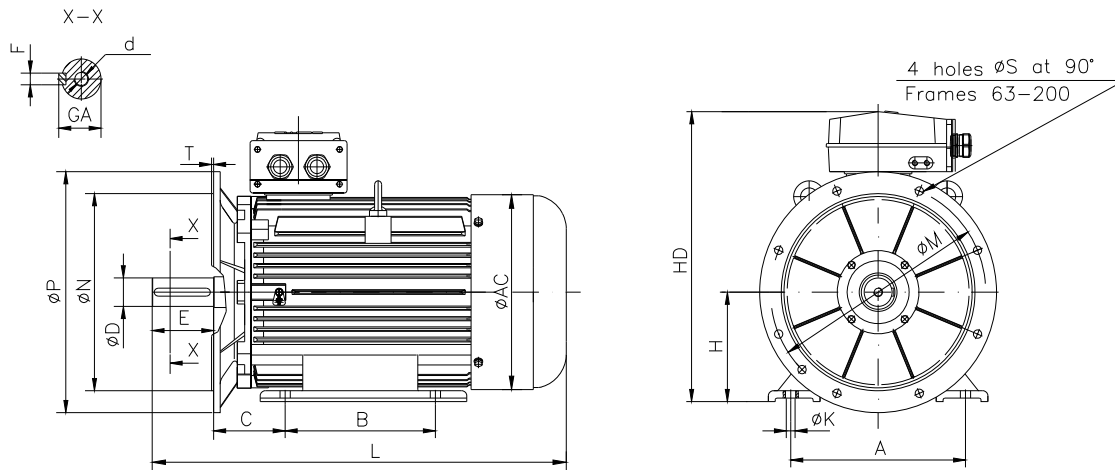
Frame size	Dimensions (mm)																
	Foot mounting									Shaft extension					HD max	AC	L max
280S-8	A	B	C	H	K	AA	AB	BB	HA	D	E	F	GA	d			
	457	368	190	280	24	125	540	523	20	75m6	140	20h9	79.5	M20	678	494	986

**The overall and mounting dimensions
IM 3001; IM 3011**



Frame size	Dimensions (mm)											HD max	AC	L max
	Flange mounting (B5)					Shaft extension								
	N	M	P	S	T	D	E	F	GA	d				
280S-8	450	500	550	18.5	5	75m6	140	20h9	79.5	M20		398	494	986

**The overall and mounting dimensions
IMB35**



Frame size	Dimensions (mm)																	
	Foot mounting					Flange mounting					Shaft extension					HD max	AC	L max
A	B	C	H _{0.5}	K	N	M	P	S	T	D	E	F	GA	d				
280S-8	457	368	190	280	24	450	500	550	18.5	5	75m6	140	20h9	79.5	M20	678	494	986