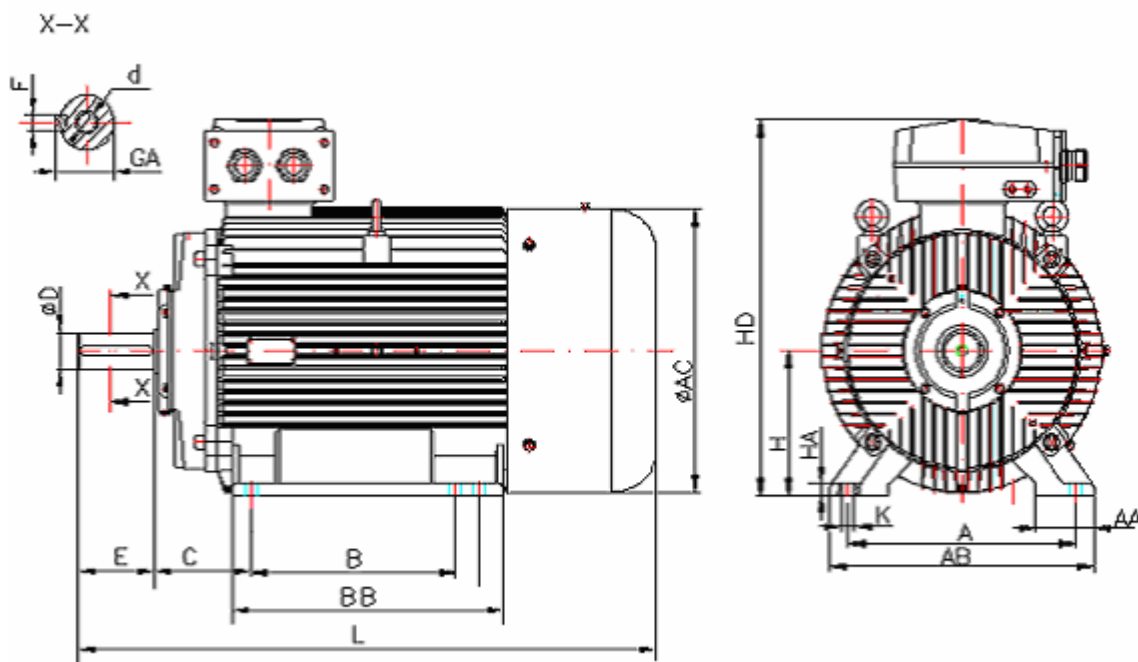


DATA SHEET

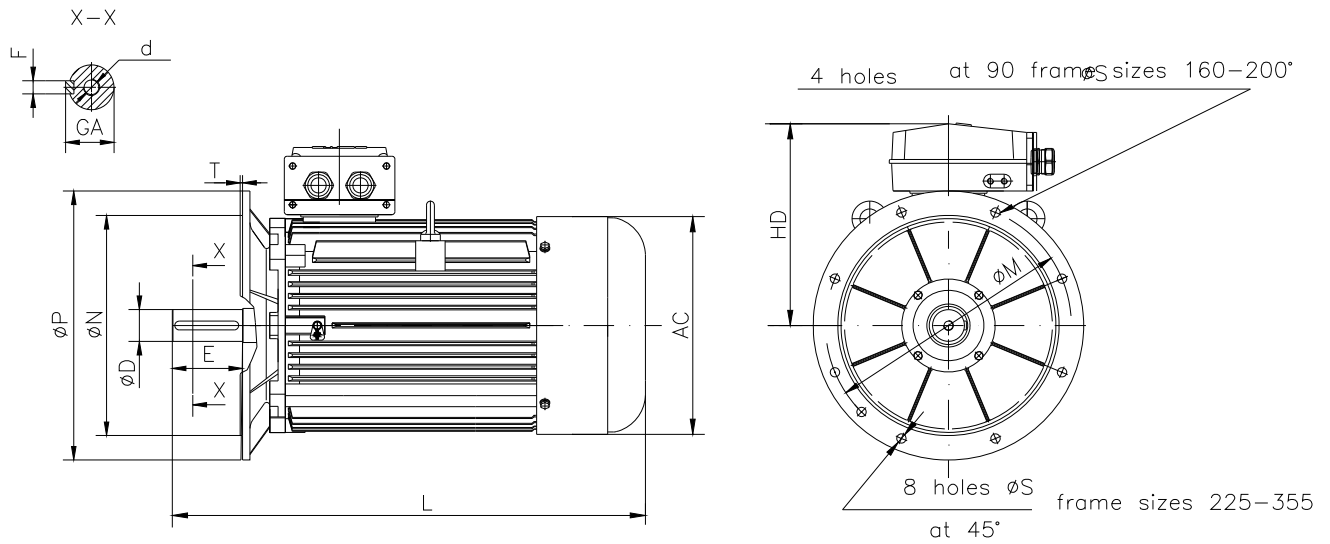
○ Type.....	ASNA 280M-4
○ Reference standard.....	IEC 60034-1 60079-0; 60079-15
○ Rated output.....	90 kW
○ Rated stator voltage.....	400V
○ Rated frequency.....	50 Hz
○ Stator current at 100% load.....	156.89 A
○ Number of poles.....	4
○ Rated speed.....	1470 rev/min
○ Efficiency at 100% load.....	92%
○ Power factor at 100% load.....	0.90
○ Break-down torque.....	2 x Mn
○ Locked rotor torque.....	1.9 x Mn
○ Locked rotor current.....	8 x In
○ Rotor inertia.....	1.06163 kgm ²
○ Insulation class.....	F
○ Direction of rotation.....	Both(CW&CCW)
○ Protection degree.....	≥IP55
○ Mounting.....	IM
○ Cooling method.....	IC 411
○ Max. ambient temperature.....	+40°C
○ Altitude.....	1000m
○ Bearing type.....	6316 drive end 6316 non drive end
○ Lubrication.....	regreasable bearings with UNIREX N2, Shell Alvania R3, SKF LGTH3
○ Relubricating interval.....	10700 hrs DE&NDE
○ Correcting interval.....	5600 hrs DE&NDE
○ Grease quantity	33g/bearing DE&NDE
○ Weight.....	428 Kg
○ Thermal winding protection.....	3xPTC
○ Outline drawing.....	Page 2
○ Vibration level :	A(acc.IEC 60034-14)
○ Noise level	acc.IEC 60034-9
○ Cable entries.....	2xM63x1.5
○ Additional cable entries.....	1xM16x1.5
○ Climate execution	N

**The overall and mounting dimensions
IM 1001**



Frame size	Dimensions (mm)																
	Foot mounting									Shaft extension					HD max	AC	L max
A	B	C	H	K	AA	AB	BB	HA	D	E	F	GA	d				
280M-4	457	419	190	280	24	125	540	523	20	75m6	140	20h9	79.5	M20	678	494	986

**The overall and mounting dimensions
IM 3001; IM 3011**



Frame size	Dimensions (mm)											HD max	AC	L max
	Flange mounting (B5)					Shaft extension								
280M-4	N	M	P	S	T	D	E	F	GA	d				
	450	500	550	18.5	5	75m6	140	20h9	79.5	M20	398	494	986	

**The overall and mounting dimensions
IMB35**



Frame size	Dimensions (mm)																	
	Foot mounting					Flange mounting					Shaft extension					HD max	AC	L max
A	B	C	H _{0,5}	K	N	M	P	S	T	D	E	F	GA	d				
280M-4	457	419	190	280	24	450	500	550	18.5	5	75m6	140	20h9	79.5	M20	678	494	986