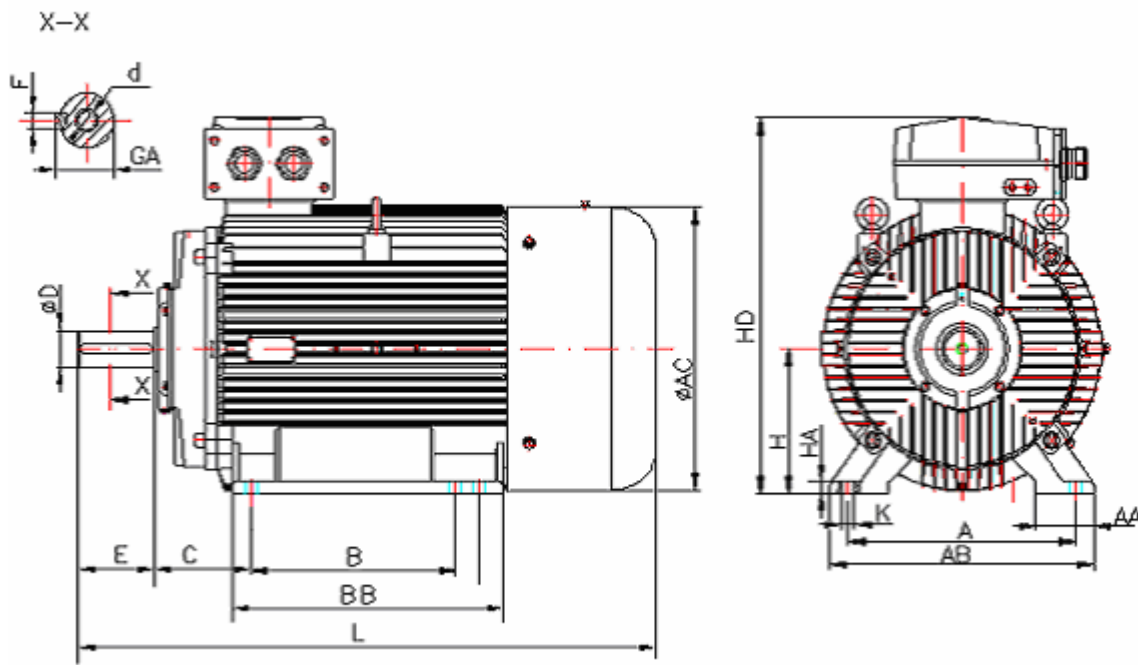


DATA SHEET

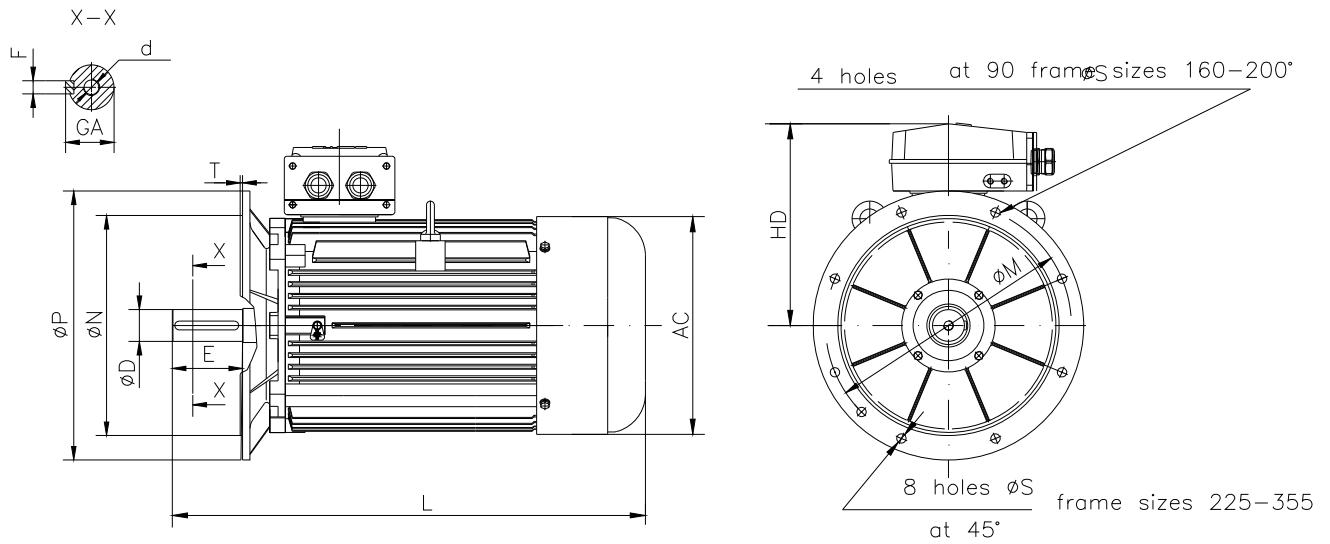
| | |
|------------------------------------|---|
| ○ Type..... | ASNA 280M-2 |
| ○ Reference standard..... | IEC 60034-1 60079-0; 60079-15 |
| ○ Rated output..... | 90 kW |
| ○ Rated stator voltage..... | 400V |
| ○ Rated frequency..... | 50 Hz |
| ○ Stator current at 100% load..... | 156.89 A |
| ○ Number of poles..... | 2 |
| ○ Rated speed..... | 2950 rev/min |
| ○ Efficiency at 100% load..... | 92% |
| ○ Power factor at 100% load..... | 0.90 |
| ○ Break-down torque..... | 2.2 x Mn |
| ○ Locked rotor torque..... | 2 x Mn |
| ○ Locked rotor current..... | 7.8 x In |
| ○ Rotor inertia..... | 0.61098 kgm ² |
| ○ Insulation class..... | F |
| ○ Direction of rotation..... | Both(CW&CCW) |
| ○ Protection degree..... | ≥IP55 |
| ○ Mounting..... | IM |
| ○ Cooling method..... | IC 411 |
| ○ Max. ambient temperature..... | +40°C |
| ○ Altitude..... | 1000m |
| ○ Bearing type..... | 6316 drive end 6316 non drive end |
| ○ Lubrication..... | regreasable bearings with UNIREX N2, Shell Alvania R3, SKF LGTH3 |
| ○ Relubricating interval..... | 3700 hrs DE&NDE |
| ○ Correcting interval..... | 2000 hrs DE&NDE |
| ○ Grease quantity | 33g/bearing DE&NDE |
| ○ Weight..... | 408 Kg |
| ○ Thermal winding protection..... | 3xPTC |
| ○ Outline drawing..... | Page 2 |
| ○ Vibration level : | A(acc.IEC 60034-14) |
| ○ Noise level | acc.IEC 60034-9 |
| ○ Cable entries..... | 2xM63x1.5 |
| ○ Additional cable entries..... | 1xM16x1.5 |
| ○ Climate execution | N |

**The overall and mounting dimensions
IM 1001**



| Frame size | Dimensions (mm) | | | | | | | | | | | | | | | HD max | AC | L max |
|------------|-----------------|-----|-----|-----|----|-----------------|-----|-----|----|------|-----|------|----|-----|-----|--------|-----|-------|
| | Foot mounting | | | | | Shaft extension | | | | | | | | | | | | |
| | A | B | C | H | K | AA | AB | BB | HA | D | E | F | GA | d | | | | |
| 280M-2 | 457 | 419 | 190 | 280 | 24 | 125 | 540 | 523 | 20 | 65m6 | 140 | 18h9 | 69 | M20 | 678 | 494 | 986 | |

**The overall and mounting dimensions
IM 3001; IM 3011**



| Frame size | Dimensions (mm) | | | | | | | | | | | HD max | AC | L max |
|------------|----------------------|-----|-----|------|---|-----------------|-----|------|----|-----|-----|--------|-----|-------|
| | Flange mounting (B5) | | | | | Shaft extension | | | | | | | | |
| 280M-2 | N | M | P | S | T | D | E | F | GA | d | | | | |
| | 450 | 500 | 550 | 18.5 | 5 | 65m6 | 140 | 18h9 | 69 | M20 | 398 | 494 | 986 | |

