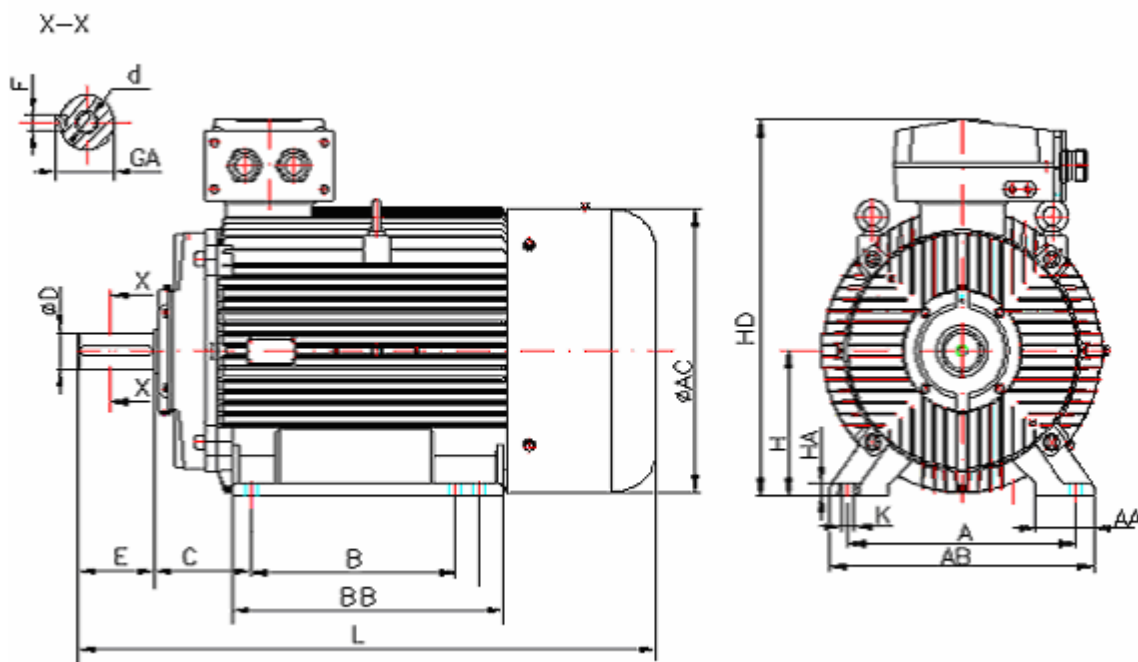


DATA SHEET

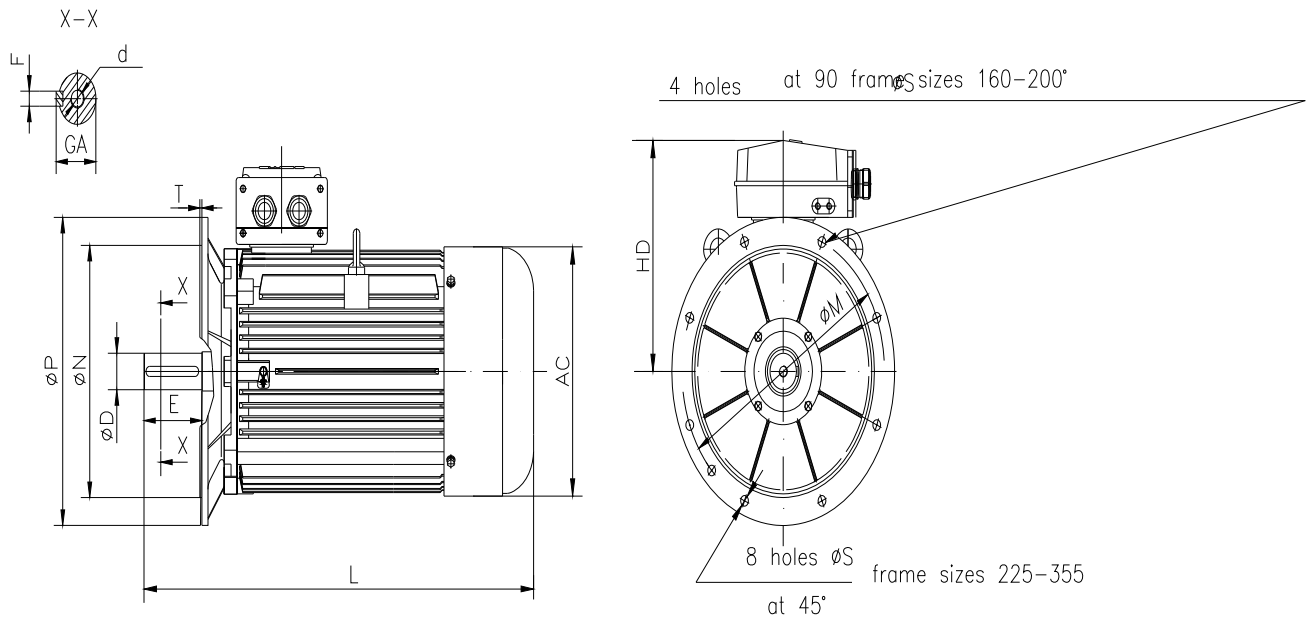
○ Type.....	ASNA 250M-8
○ Reference standard.....	IEC 60034-1 60079-0; 60079-15
○ Rated output.....	30 kW
○ Rated stator voltage.....	400V
○ Rated frequency.....	50 Hz
○ Stator current at 100% load	59.4 A
○ Number of poles.....	8
○ Rated speed.....	720 rev/min
○ Efficiency at 100% load.....	90%
○ Power factor at 100% load.....	0.81
○ Break-down torque.....	2 x Mn
○ Locked rotor torque.....	1.8 x Mn
○ Locked rotor current.....	6 x In
○ Rotor inertia.....	0.85997 kgm ²
○ Insulation class.....	F
○ Direction of rotation.....	Both(CW&CCW)
○ Protection degree.....	≥IP55
○ Mounting.....	IM
○ Cooling method.....	IC 411
○ Max. ambient temperature.....	+40°C
○ Altitude.....	1000m
○ Bearing type.....	6314 2Z drive end 6313 2Z non drive end
○ Weight.....	292 Kg
○ Thermal winding protection.....	3xPTC
○ Outline drawing.....	Page 2
○ Vibration level :.....	A(acc.IEC 60034-14)
○ Noise level	acc.IEC 60034-9
○ Cable entries.....	2xM50x1.5
○ Additional cable entries.....	1xM16x1.5
○ Climate execution	N

**The overall and mounting dimensions
IM 1001**



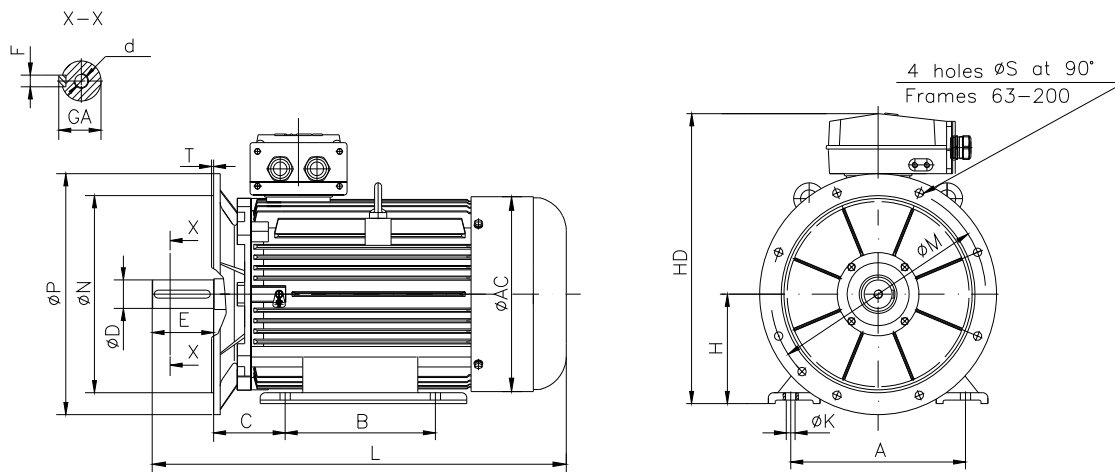
Frame size	Dimensions (mm)																
	Foot mounting								Shaft extension					HD max	AC	L max	
A	B	C	H	K	AA	AB	BB	HA	D	E	F	GA	d				
250M-8	406	349	168	250	24	120	510	480	20	65m6	140	18h9	69	M20	660	446	970

**The overall and mounting dimensions
IM 3001; IM 3011**



Frame size	Dimensions (mm)												
	Flange mounting (B5)					Shaft extension					HD max	AC	L max
250M-8	N	M	P	S	T	D	E	F	GA	d			
	450	500	550	18.5	5	65m6	140	18h9	69	M20	410	446	970

**The overall and mounting dimensions
IMB35**



Frame size	Dimensions (mm)																	
	Foot mounting					Flange mounting					Shaft extension					HD max	AC	L max
A	B	C	H _{0.5}	K	N	M	P	S	T	D	E	F	GA	d				
250M-8	406	349	168	250	24	450	500	550	18.5	5	65m6	140	18h9	69	M20	660	446	970