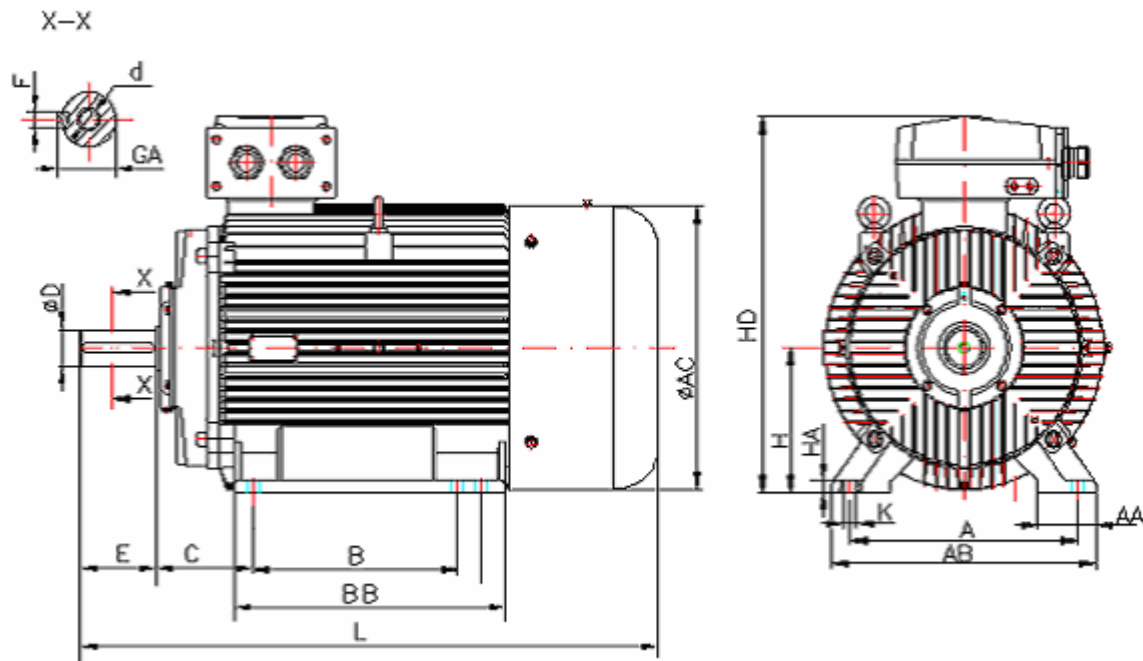


DATA SHEET

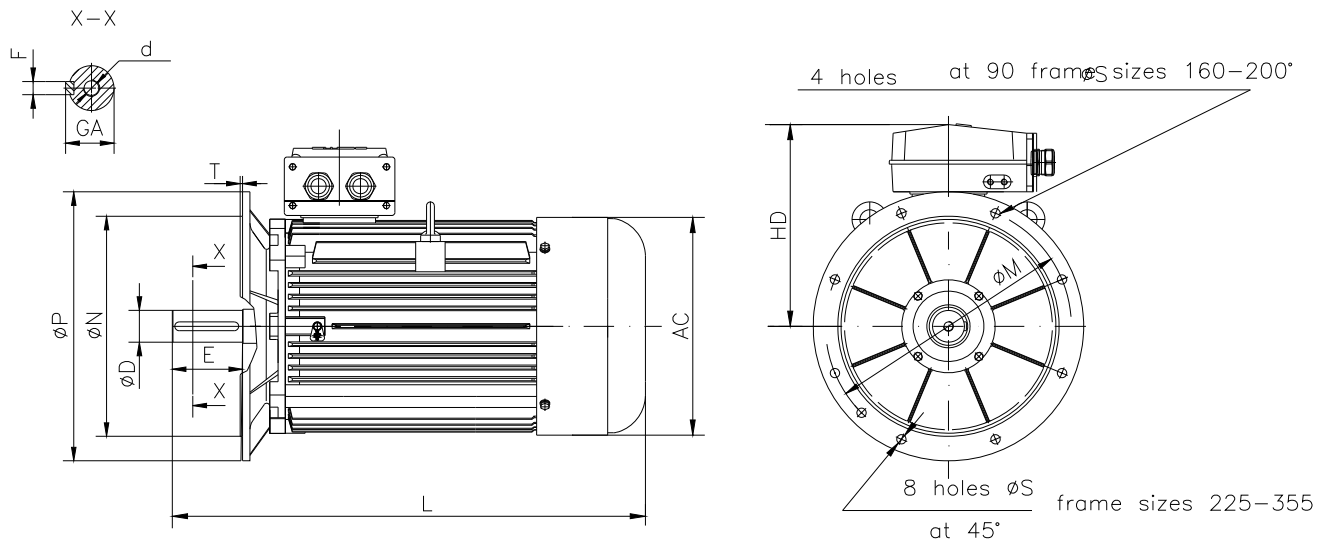
- Type.....ASNA 200L-4
- Reference standard..... IEC 60034-1
60079-0;
60079-15
- Rated output..... 30 kW
- Rated stator voltage.....400V
- Rated frequency.....50 Hz
- Stator current at 100% load.....55.3 A
- Number of poles.....4
- Rated speed.....1460 rev/min
- Efficiency at 100% load.....90%
- Power factor at 100% load.....0.87
- Break-down torque.....2.4 x Mn
- Locked rotor torque.....2.3 x Mn
- Locked rotor current.....6.5 x In
- Rotor inertia.....0.25429 kgm²
- Insulation class.....F
- Direction of rotation.....Both(CW&CCW)
- Protection degree.....≥IP55
- Mounting.....IM
- Cooling method.....IC 411
- Max. ambient temperature.....+40°C
- Altitude.....1000m
- Bearing type.....6312 2Z drive end
6312 2Z non drive end
- Weight.....204Kg
- Outline drawing.....Page 2
- Thermal winding protection.....3xPTC
- Vibration level.....A(acc.IEC 60034-14)
- Noise levelacc.IEC 60034-9
- Cable entries.....2xM50x1.5
- Additional cable entries.....1xM16x1.5
- Climate executionN

**The overall and mounting dimensions
IM 1001**



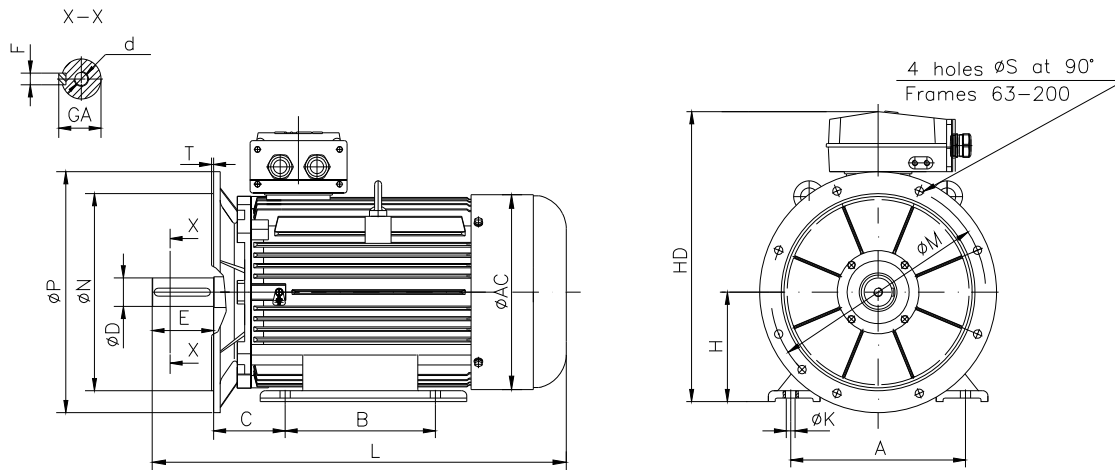
Frame size	Dimensions (mm)																
	Foot mounting									Shaft extension					HD max	AC	L max
A	B	C	H	K	AA	AB	BB	HA	D	E	F	GA	d				
200L-4	318	305	133	200	18.5	82	400	380	25	55m6	110	16h9	59	M20	580	396	805

**The overall and mounting dimensions
IM 3001; IM 3011**



Frame size	Dimensions (mm)												
	Flange mounting (B5)					Shaft extension					HD max	AC	L max
N	M	P	S	T	D	E	F	GA	d				
200L-4	300	350	400	18.5	5	55m6	110	16h9	59	M20	383	396	805

**The overall and mounting dimensions
IMB35**



Frame size	Dimensions (mm)																	
	Foot mounting					Flange mounting					Shaft extension					HD max	AC	L max
A	B	C	H _{0,5}	K	N	M	P	S	T	D	E	F	GA	d				
200L-4	318	305	133	200	18.5	300	350	400	18.5	5	55m6	110	16h9	59	M20	580	396	805