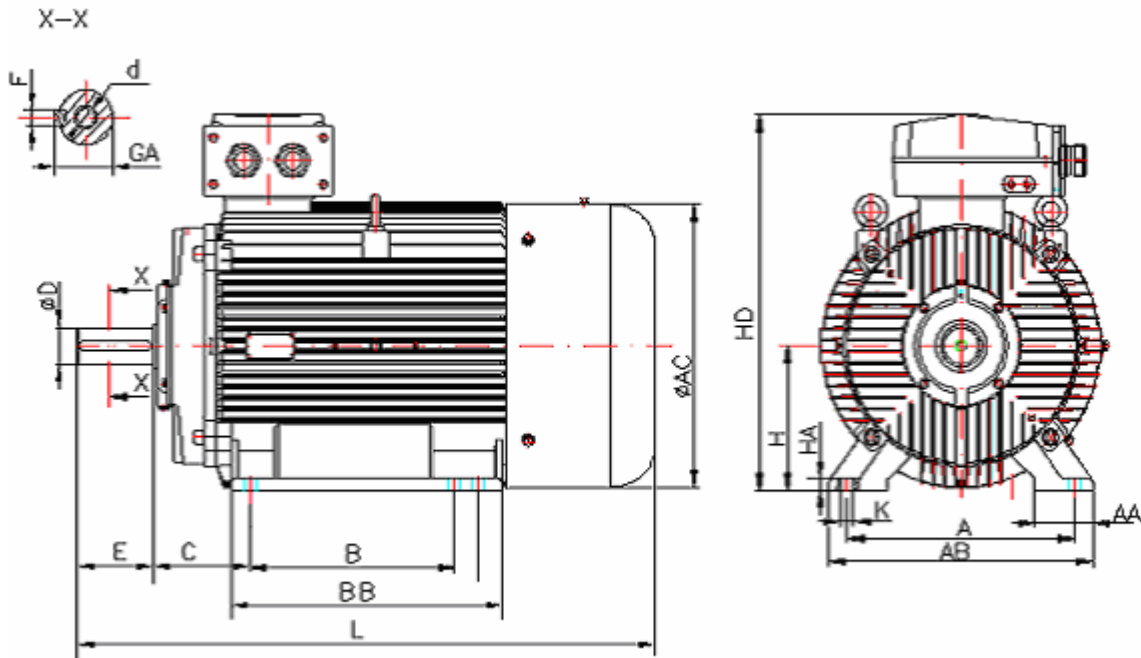


DATA SHEET

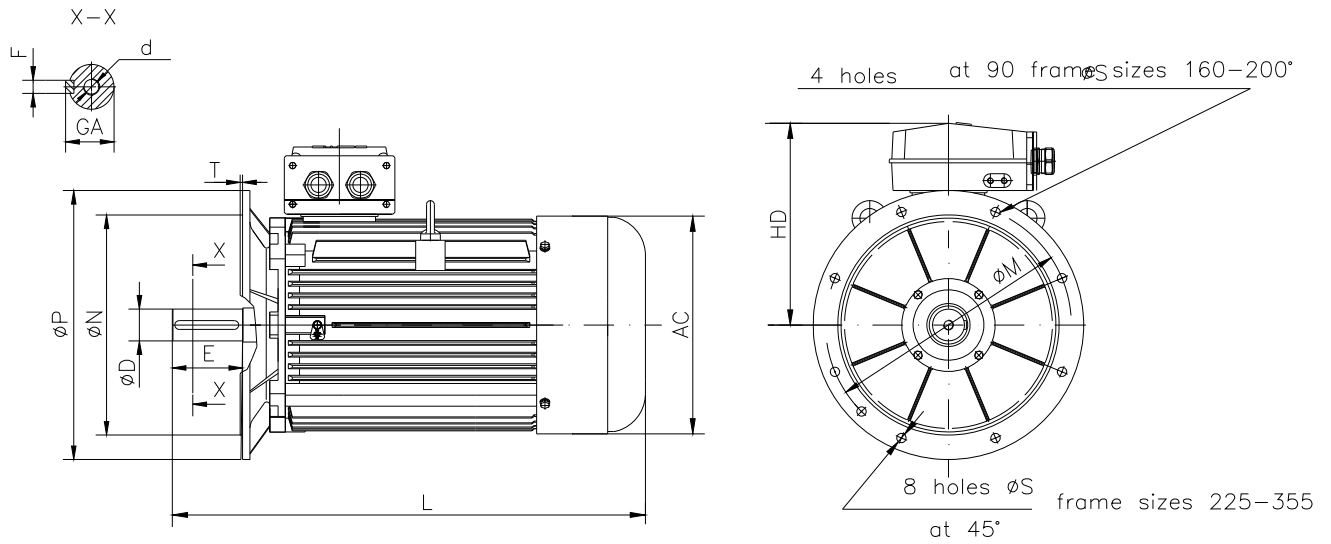
○ Type.....	ASNA 180M-4
○ Reference standard.....	IEC 60034-1 60079-0; 60079-15
○ Rated output.....	18.5 kW
○ Rated stator voltage.....	400V
○ Stator current at 100% load	34.49 [A]
○ Number of poles.....	4
○ Rated speed.....	1450 rev/min
○ Rated frequency.....	50 Hz
○ Efficiency at 100% load.....	89%
○ Power factor at 100% load.....	0.87
○ Break-down torque.....	2.4 x Mn
○ Locked rotor torque.....	2.3 x Mn
○ Locked rotor current.....	6 x In
○ Rotor inertia.....	0.15058 kgm ²
○ Insulation class.....	F
○ Direction of rotation.....	Both(CW&CCW)
○ Protection degree.....	≥IP55
○ Mounting.....	IM
○ Cooling method.....	IC 411
○ Max. ambient temperature	+ 40°C
○ Altitude.....	1000m
○ Bearing type.....	6311 2Z drive end 6311 2Z non drive end
○ Weight.....	136Kg
○ Outline drawing.....	Page 2
○ Vibration level :	A (acc.IEC 60034-14)
○ Noise level	acc.IEC 60034-9
○ Cable entries.....	2xM40x1.5
○ Climate execution	N

**The overall and mounting dimensions
IM 1001**



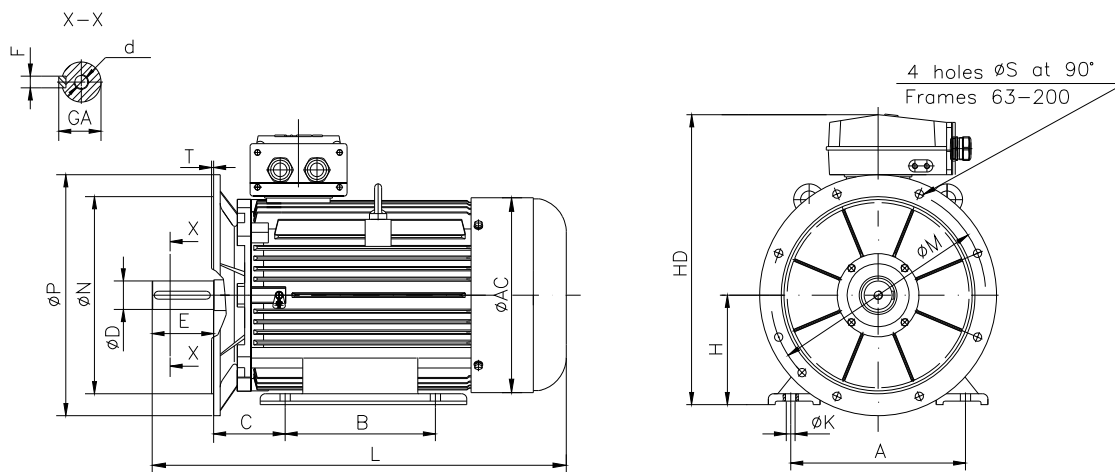
Frame size	Dimensions (mm)																
	Foot mounting									Shaft extension					HD max	AC	L max
A	B	C	H	K	AA	AB	BB	HA	D	E	F	GA	d				
180M-4	279	241	121	180	14.5	80	360	340	25	48k6	110	14h9	51.5	M16	507	357	730

**The overall and mounting dimensions
IM 3001; IM 3011**



Frame size	Dimensions (mm)											HD max	AC	L max
	Flange mounting (B5)					Shaft extension								
180M-4	N	M	P	S	T	D	E	F	GA	d				
	250	300	350	18.5	5	48k6	110	14h9	51.5	M16	327	357	730	

**The overall and mounting dimensions
IMB35**



Frame size	Dimensions (mm)																	
	Foot mounting					Flange mounting					Shaft extension					HD max	AC	L max
A	B	C	H _{-0,5}	K	N	M	P	S	T	D	E	F	GA	d				
180M-4	279	241	121	180	14.5	250	300	350	18.5	5	48k6	110	14h9	51.5	M16	507	357	730