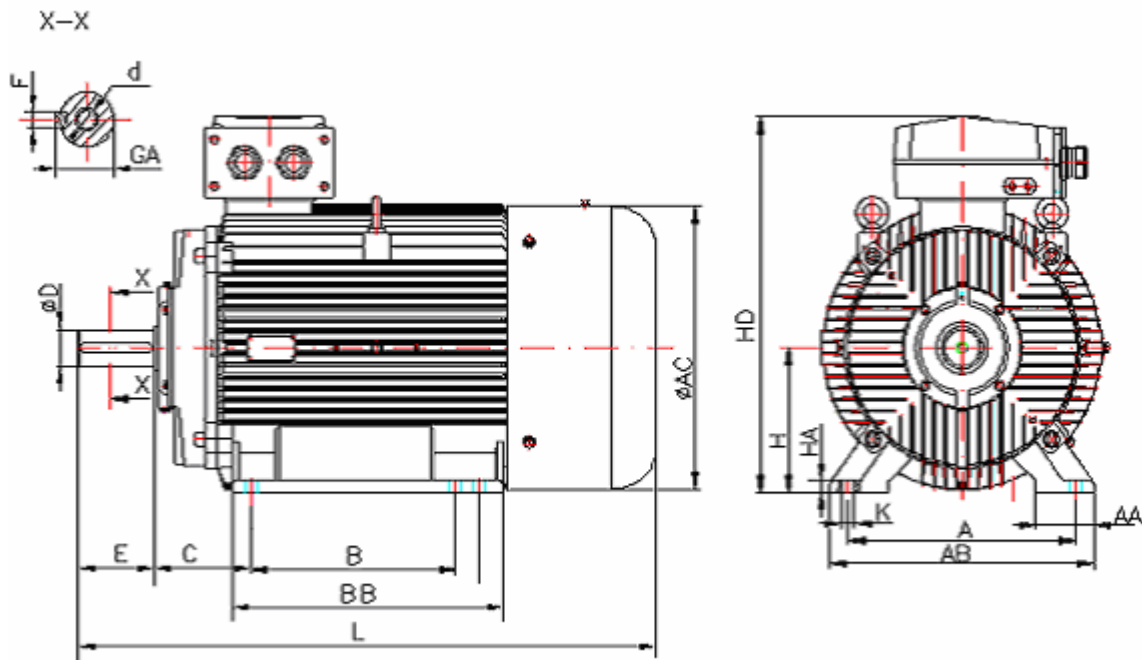


DATA SHEET

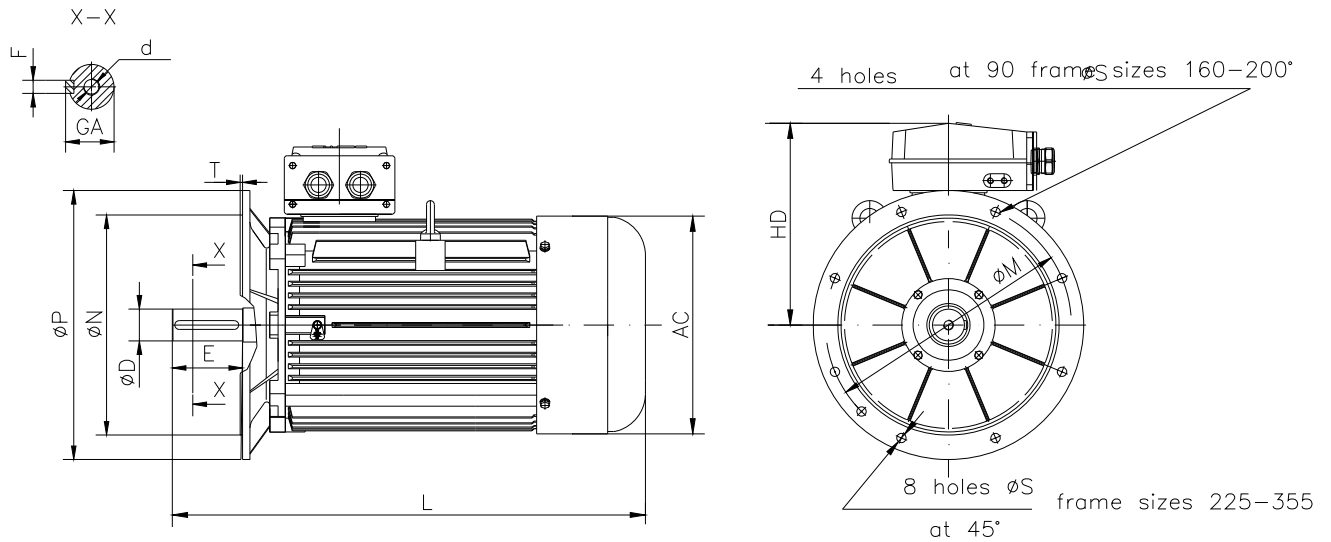
- Type.....ASNA 180M-2
- Reference standard.....IEC 60034-1
60079-0;
60079-15
- Rated output..... 22 kW
- Rated stator voltage.....400V
- Stator current at 100% load40.09 [A]
- Number of poles.....2
- Rated speed.....2910 rev/min
- Rated frequency.....50 Hz
- Efficiency at 100% load.....89%
- Power factor at 100% load.....0.89
- Break-down torque.....2.9 x Mn
- Locked rotor torque.....2.6 x Mn
- Locked rotor current.....7.6 x In
- Rotor inertia..... 0.0959 kgm²
- Insulation class.....F
- Direction of rotation.....Both(CW&CCW)
- Protection degree.....≥IP55
- Mounting.....IM
- Cooling method.....IC 411
- Max. ambient temperature+ 40°C
- Altitude.....1000m
- Bearing type.....6311 2Z drive end
6311 2Z non drive end
- Weight.....136Kg
- Outline drawing.....Page 2
- Vibration level :.....A (acc.IEC 60034-14)
- Noise levelacc.IEC 60034-9
- Cable entries..... 2xM40x1.5
- Climate executionN

**The overall and mounting dimensions
IM 1001**



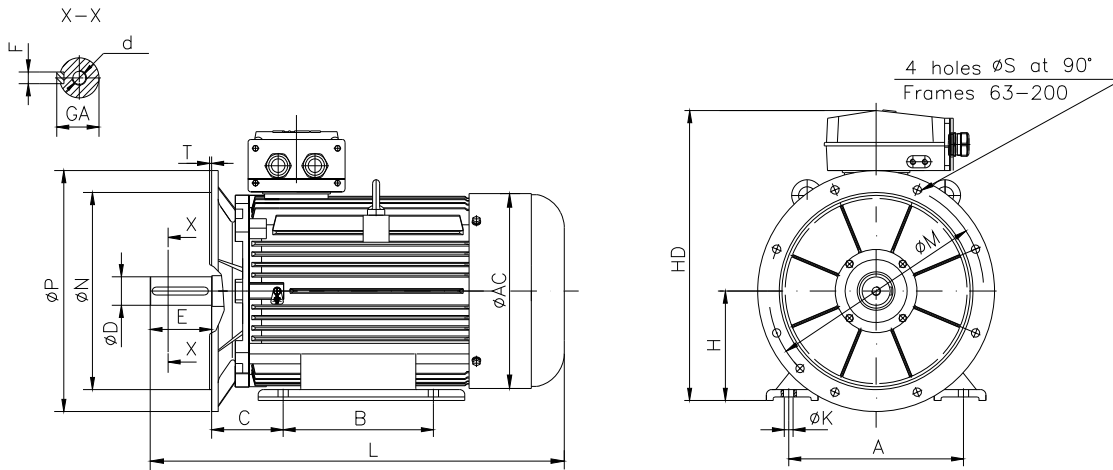
Frame size	Dimensions (mm)																
	Foot mounting									Shaft extension					HD max	AC	L max
A	B	C	H	K	AA	AB	BB	HA	D	E	F	GA	d				
180M-2	279	241	121	180	14.5	80	360	340	25	48k6	110	14h9	51.5	M16	507	357	730

**The overall and mounting dimensions
IM 3001; IM 3011**



Frame size	Dimensions (mm)											HD max	AC	L max
	Flange mounting (B5)					Shaft extension								
180M-2	N	M	P	S	T	D	E	F	GA	d				
	250	300	350	18.5	5	48k6	110	14h9	51.5	M16		327	357	730

**The overall and mounting dimensions
IMB35**



Frame size	Dimensions (mm)																HD max	AC	L max
	Foot mounting					Flange mounting					Shaft extension								
	A	B	C	H _{0.5}	K	N	M	P	S	T	D	E	F	GA	d				
180M-2	279	241	121	180	14.5	250	300	350	18.5	5	48k6	110	14h9	51.5	M16	507	357	730	