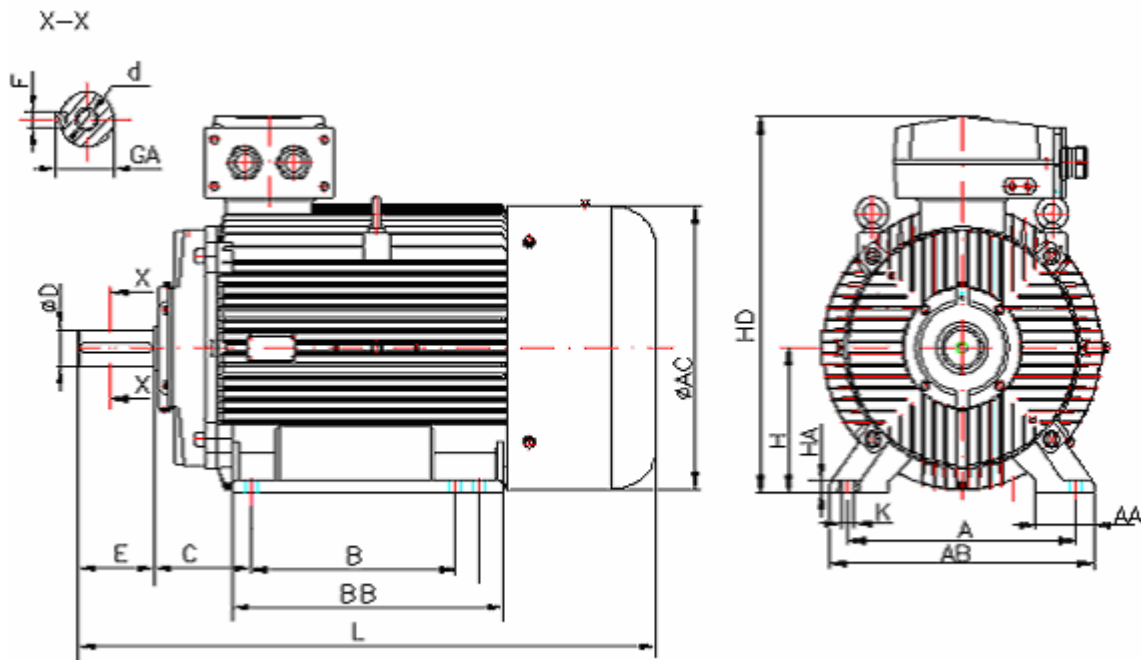


**DATA SHEET**

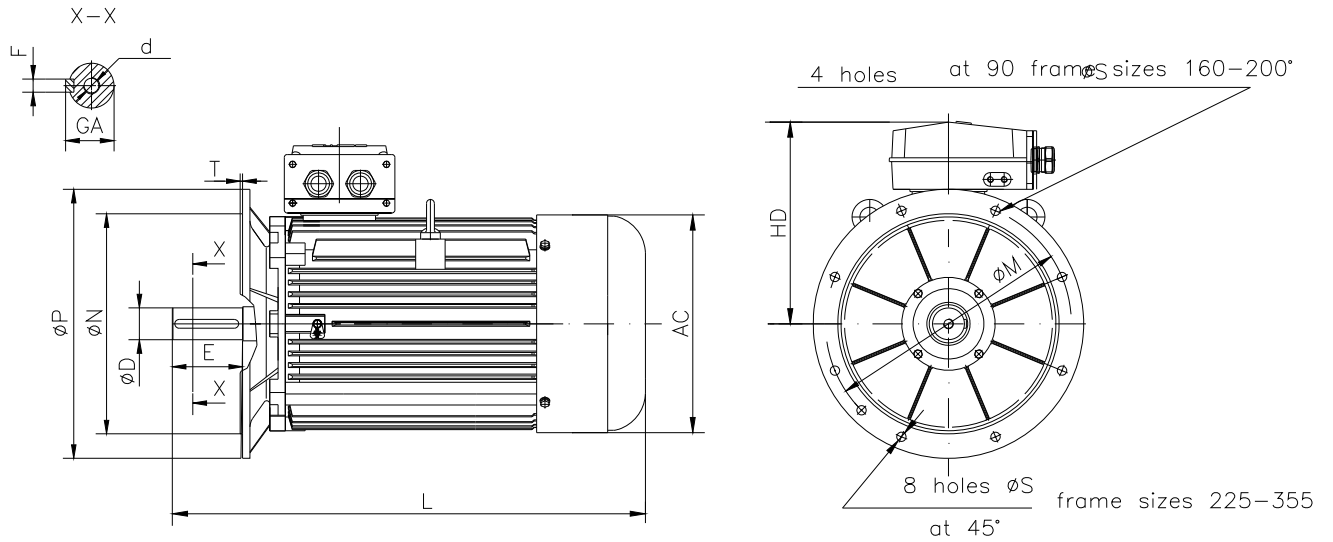
- Type.....ASNA 160Mb-2
- Reference standard.....IEC 60034-1  
60079-0;  
60079-15
- Rated output..... 15 kW
- Rated stator voltage.....400V
- Stator current at 100% load .....29.62 [A]
- Number of poles.....2
- Rated speed.....2900 rev/min
- Rated frequency.....50 Hz
- Efficiency at 100% load.....85%
- Power factor at 100% load.....0.86
- Break-down torque.....2.7 x Mn
- Locked rotor torque.....2.4 x Mn
- Locked rotor current.....6.5 x In
- Rotor inertia.....0.04155 kgm<sup>2</sup>
- Insulation class.....F
- Direction of rotation.....Both(CW&CCW)
- Protection degree.....≥IP55
- Mounting.....IM
- Cooling method.....IC 411
- Max. ambient temperature .....+ 40°C
- Altitude.....1000m
- Bearing type.....6310 2Z drive end  
6310 2Z non drive end
- Weight.....102Kg
- Outline drawing.....Page 2
- Vibration level :.....A (acc.IEC 60034-14 )
- Noise level .....acc.IEC 60034-9
- Cable entries.....2xM40x1.5
- Climate execution .....N

**The overall and mounting dimensions  
IM 1001**



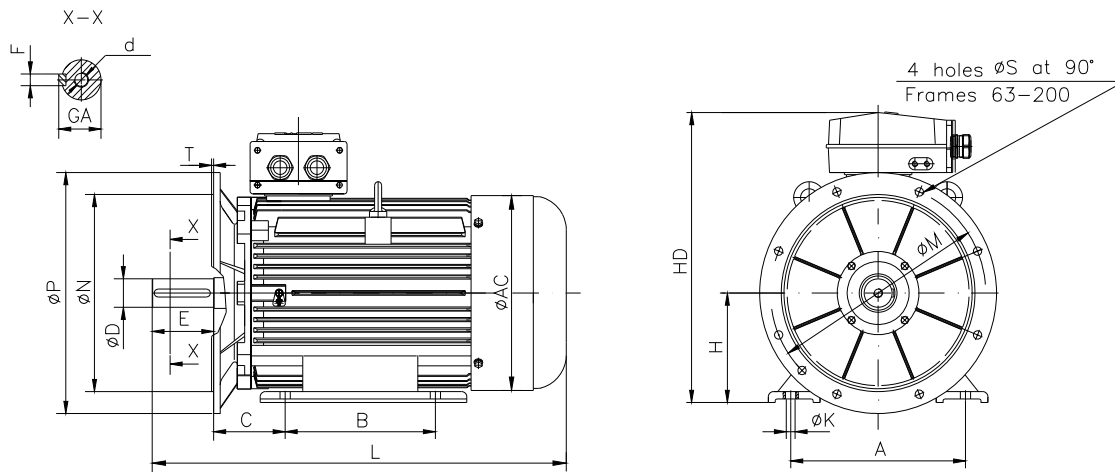
| Frame size  | Dimensions (mm) |     |     |     |      |    |     |     |    |                 |     |      |    |     |        |     |       |
|-------------|-----------------|-----|-----|-----|------|----|-----|-----|----|-----------------|-----|------|----|-----|--------|-----|-------|
|             | Foot mounting   |     |     |     |      |    |     |     |    | Shaft extension |     |      |    |     | HD max | AC  | L max |
| A           | B               | C   | H   | K   | AA   | AB | BB  | HA  | D  | E               | F   | GA   | d  |     |        |     |       |
| 160M<br>b-2 | 254             | 210 | 108 | 160 | 14.5 | 84 | 310 | 298 | 14 | 42k6            | 110 | 12h9 | 45 | M16 | 471    | 315 | 660   |

**The overall and mounting dimensions  
IM 3001; IM 3011**



| Frame size  | Dimensions (mm)      |     |     |      |   |                 |     |      |    |     |        |     |       |
|-------------|----------------------|-----|-----|------|---|-----------------|-----|------|----|-----|--------|-----|-------|
|             | Flange mounting (B5) |     |     |      |   | Shaft extension |     |      |    |     | HD max | AC  | L max |
| N           | M                    | P   | S   | T    | D | E               | F   | GA   | d  |     |        |     |       |
| 160M<br>b-2 | 250                  | 300 | 350 | 18.5 | 5 | 42k6            | 110 | 12h9 | 45 | M16 | 311    | 315 | 660   |

**The overall and mounting dimensions  
IMB35**



| Frame size | Dimensions (mm) |     |                  |     |      |                 |     |     |      |   |                 |     |      |    |     |        |     |       |
|------------|-----------------|-----|------------------|-----|------|-----------------|-----|-----|------|---|-----------------|-----|------|----|-----|--------|-----|-------|
|            | Foot mounting   |     |                  |     |      | Flange mounting |     |     |      |   | Shaft extension |     |      |    |     | HD max | AC  | L max |
| A          | B               | C   | H <sub>0,5</sub> | K   | N    | M               | P   | S   | T    | D | E               | F   | GA   | d  |     |        |     |       |
| 160Mb-2    | 254             | 210 | 108              | 160 | 14.5 | 250             | 300 | 350 | 18.5 | 5 | 42k6            | 110 | 12h9 | 45 | M16 | 471    | 315 | 660   |