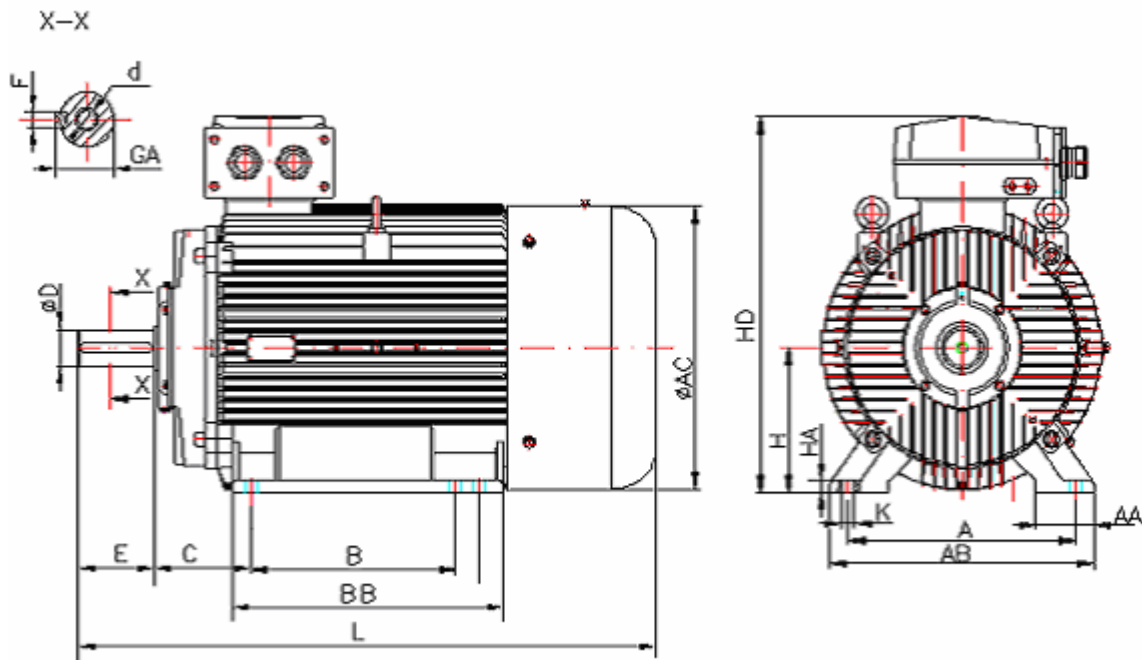


DATA SHEET

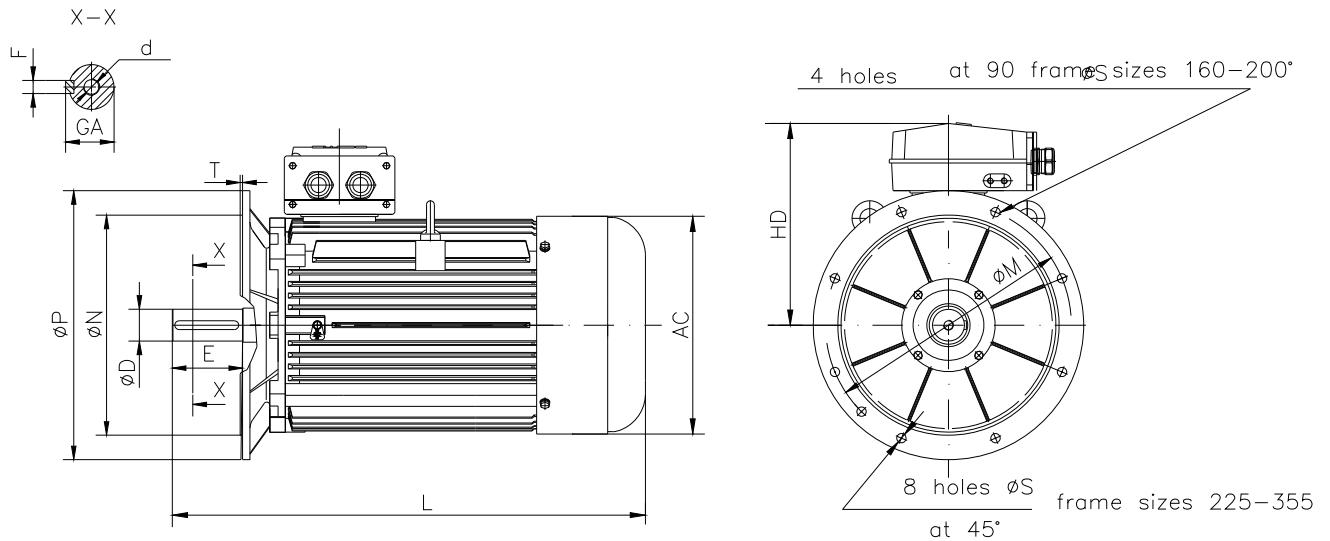
- Type.....ASNA 160Ma-2
- Reference standard.....IEC 60034-1
60079-0;
60079-15
- Rated output..... 11 kW
- Rated stator voltage.....400V
- Stator current at 100% load 22.24 [A]
- Number of poles.....2
- Rated speed.....2850 rev/min
- Rated frequency.....50 Hz
- Efficiency at 100% load.....83%
- Power factor at 100% load.....0.86
- Break-down torque.....2.4 x Mn
- Locked rotor torque.....2.2 x Mn
- Locked rotor current.....6.5 x In
- Rotor inertia.....0.03267 kgm²
- Insulation class.....F
- Direction of rotation.....Both(CW&CCW)
- Protection degree.....≥IP55
- Mounting.....IM
- Cooling method.....IC 411
- Max. ambient temperature+ 40°C
- Altitude.....1000m
- Bearing type.....6310 2Z drive end
6310 2Z non drive end
- Weight.....88Kg
- Outline drawing.....Page 2
- Vibration level :.....A (acc.IEC 60034-14)
- Noise levelacc.IEC 60034-9
- Cable entries.....2xM40x1.5
- Climate executionN

**The overall and mounting dimensions
IM 1001**



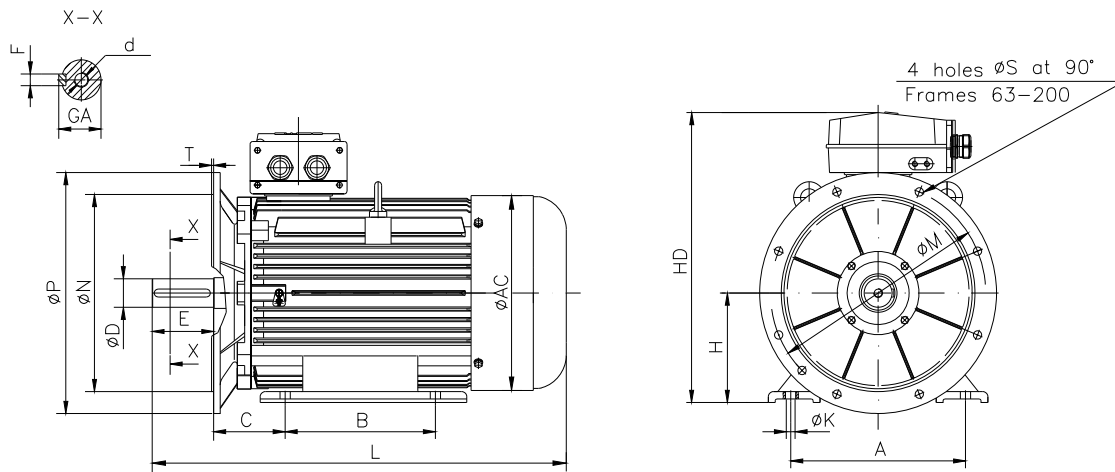
Frame size	Dimensions (mm)																
	Foot mounting									Shaft extension					HD max	AC	L max
A	B	C	H	K	AA	AB	BB	HA	D	E	F	GA	d				
160M a-2	254	210	108	160	14.5	84	310	298	14	42k6	110	12h9	45	M16	471	315	660

**The overall and mounting dimensions
IM 3001; IM 3011**



Frame size	Dimensions (mm)											HD max	AC	L max
	Flange mounting (B5)					Shaft extension								
160M a-2	N	M	P	S	T	D	E	F	GA	d				
	250	300	350	18.5	5	42k6	110	12h9	45	M16		311	315	660

**The overall and mounting dimensions
IMB35**



Frame size	Dimensions (mm)															HD max	AC	L max
	Foot mounting					Flange mounting					Shaft extension							
	A	B	C	H _{0,5}	K	N	M	P	S	T	D	E	F	GA	d			
160Ma-2	254	210	108	160	14.5	250	300	350	18.5	5	42k6	110	12h9	45	M16	471	315	660