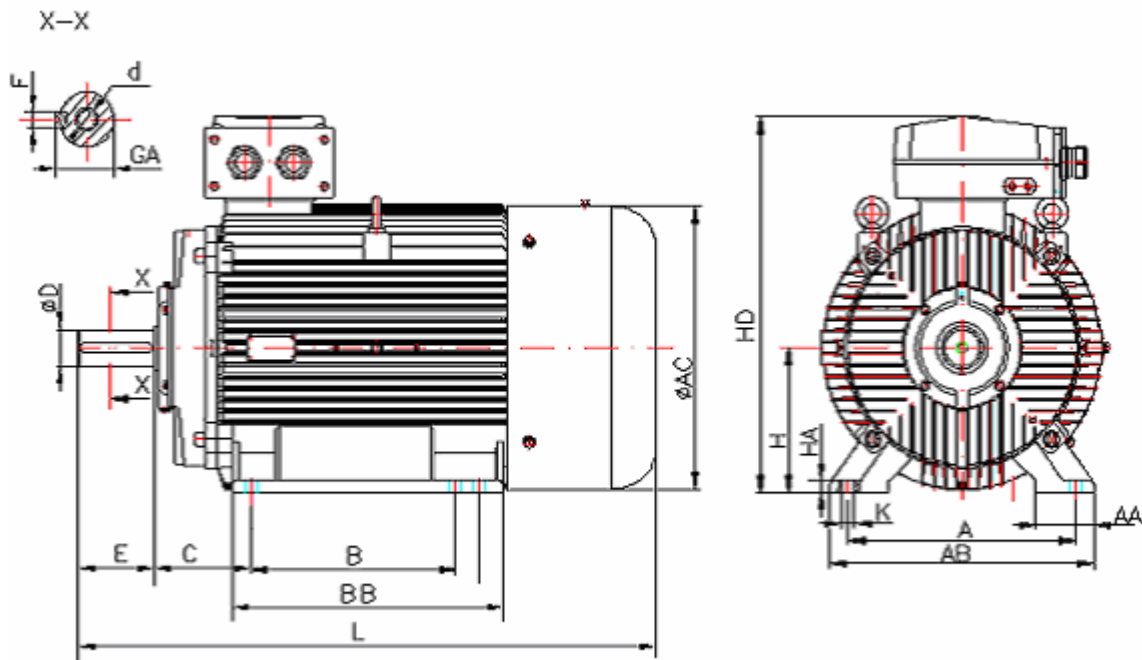


DATA SHEET

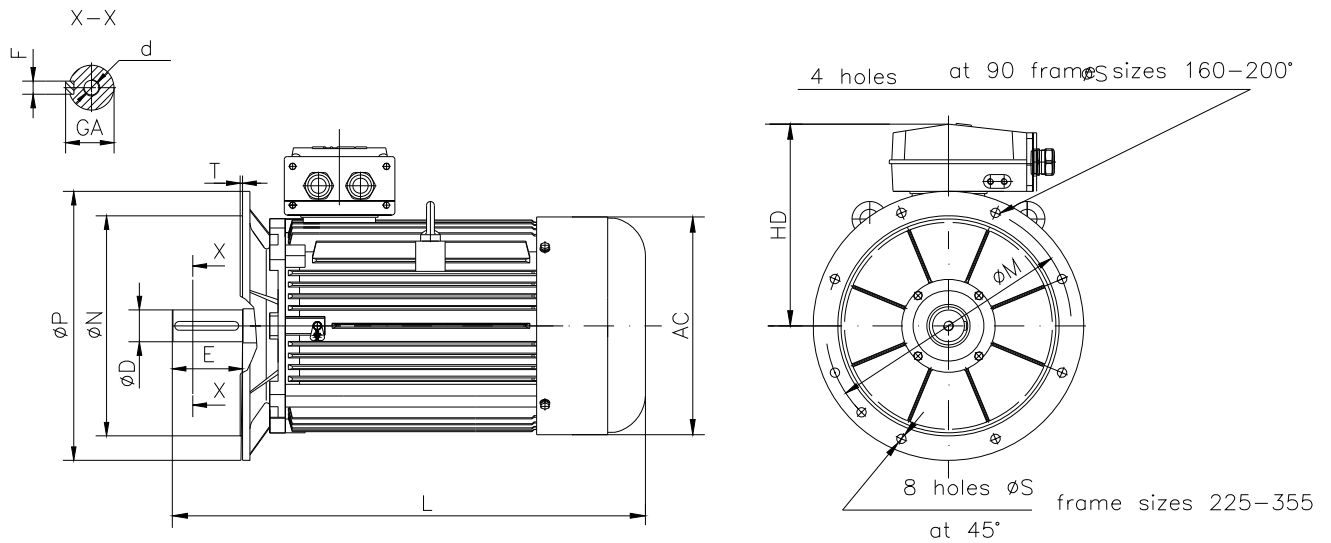
- Type.....ASNA 160L-8
- Reference standard..... IEC 60034-1
60079-0;
60079-15
- Rated output..... 7.5 kW
- Rated stator voltage.....400V
- Stator current at 100% load.....18.86 [A]
- Number of poles.....8
- Rated speed.....720 rev/min
- Rated frequency.....50 Hz
- Efficiency at 100% load.....82%
- Power factor at 100% load.....0.7
- Break-down torque.....2 x Mn
- Locked rotor torque.....1.9 x Mn
- Locked rotor current.....5 x In
- Rotor inertia.....0.14863 kgm²
- Insulation class.....F
- Direction of rotation.....Both(CW&CCW)
- Protection degree.....≥IP55
- Mounting.....IM
- Cooling method.....IC 411
- Max. ambient temperature+ 40°C
- Altitude.....1000m
- Bearing type.....6310 2Z drive end
6310 2Z non drive end
- Weight.....109Kg
- Outline drawing.....Page 2
- Vibration level :.....A (acc.IEC 60034-14)
- Noise levelacc.IEC 60034-9
- Cable entries.....2xM40x1.5
- Climate executionN

**The overall and mounting dimensions
IM 1001**



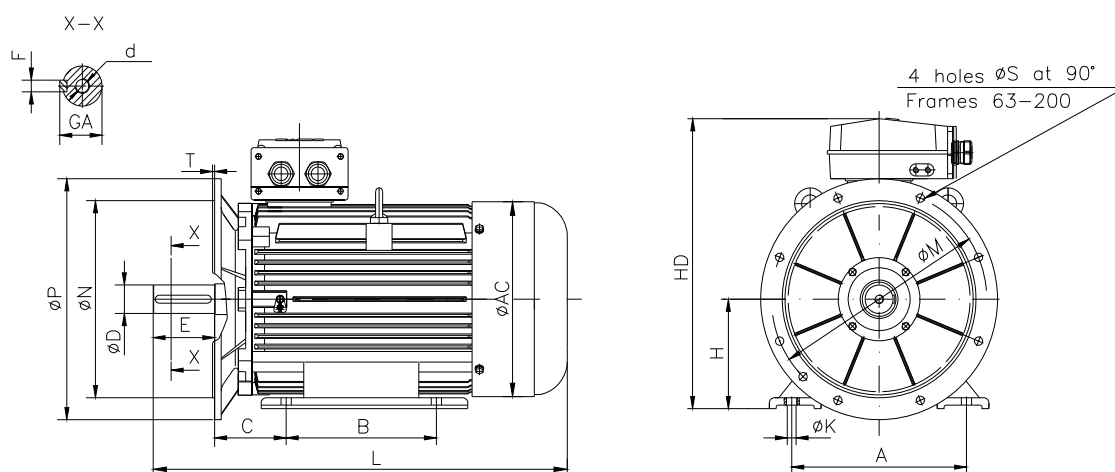
Frame size	Dimensions (mm)																		
	Foot mounting									Shaft extension					HD max	AC	L max		
A	B	C	H	K	AA	AB	BB	HA	D	E	F	GA	d						
160L-8	254	254	108	160	14.5	84	310	298	14	42	6	110	12	h9	45	M16	471	315	660

**The overall and mounting dimensions
IM 3001; IM 3011**



Frame size	Dimensions (mm)												
	Flange mounting (B5)					Shaft extension					HD max	AC	L max
N	M	P	S	T	D	E	F	GA	d				
160L-8	250	300	350	18.5	5	42k6	110	12h9	45	M16	311	315	660

**The overall and mounting dimensions
IMB35**



Frame size	Dimensions (mm)																HD max	AC	L max
	Foot mounting					Flange mounting					Shaft extension								
	A	B	C	H _{0.5}	K	N	M	P	S	T	D	E	F	GA	d				
160L-8	254	254	108	160	14.5	250	300	350	18.5	5	42k6	110	12h9	45	M16	471	315	660	