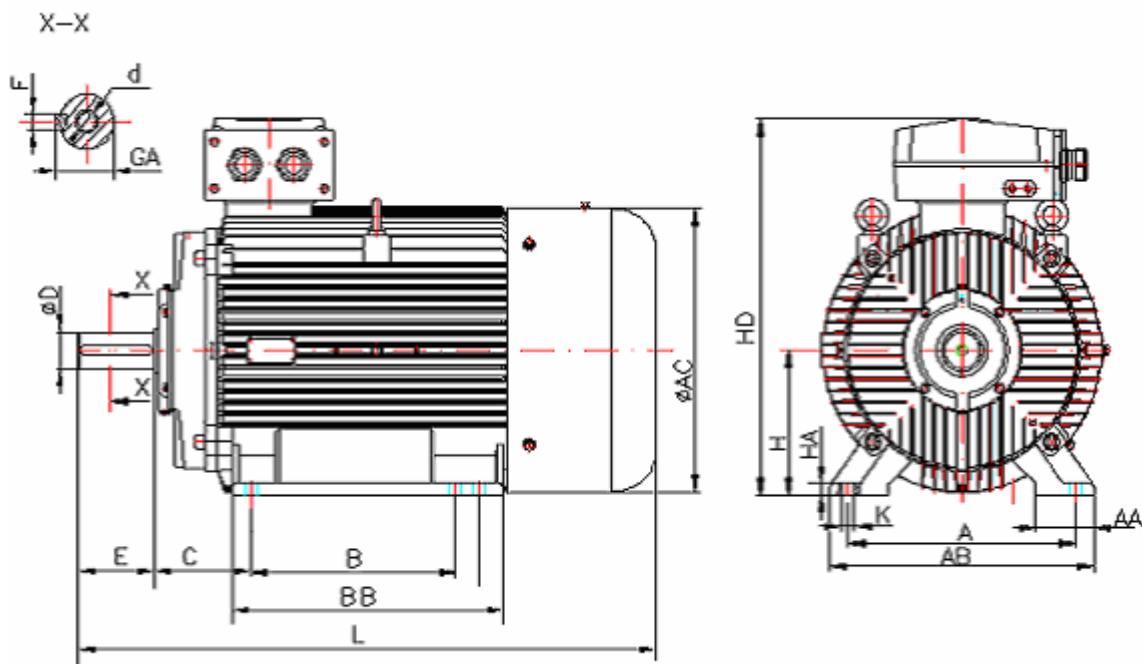


**DATA SHEET**

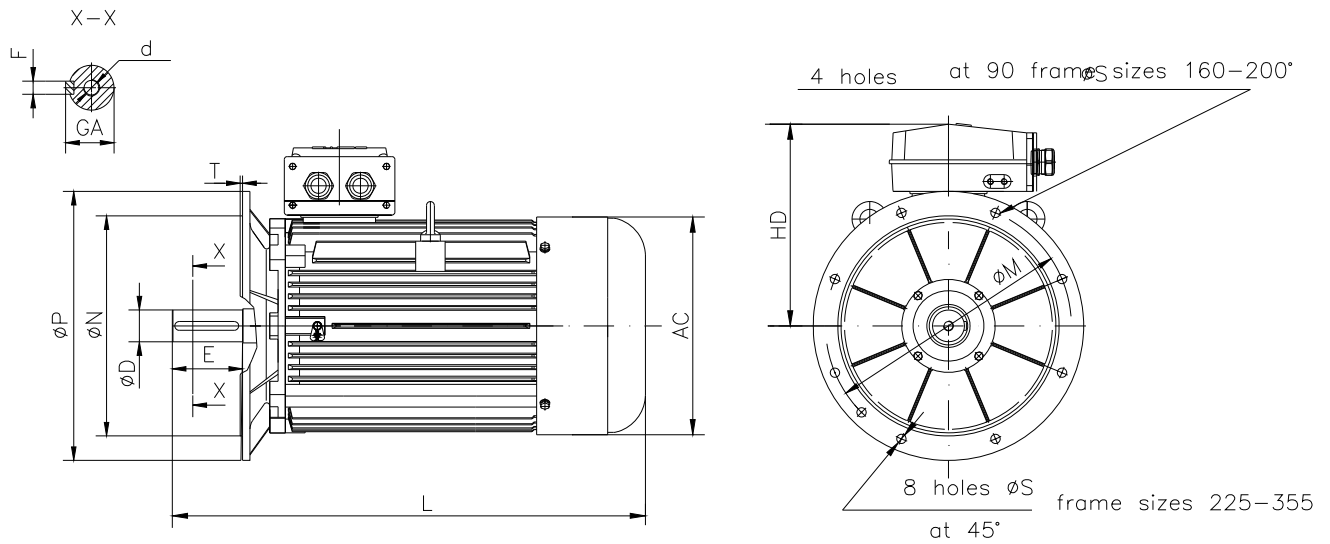
- Type.....ASNA 160L-6
- Reference standard..... IEC 60034-1  
60079-0;  
60079-15
- Rated output..... 11 kW
- Rated stator voltage.....400V
- Stator current at 100% load .....21.98 [A]
- Number of poles.....6
- Rated speed.....950 rev/min
- Rated frequency.....50 Hz
- Efficiency at 100% load.....86%
- Power factor at 100% load.....0.84
- Break-down torque.....2.5 x Mn
- Locked rotor torque.....2.1 x Mn
- Locked rotor current.....6 x In
- Rotor inertia .....0.14863 kgm<sup>2</sup>
- Insulation class.....F
- Direction of rotation.....Both(CW&CCW)
- Protection degree.....≥IP55
- Mounting.....IM
- Cooling method.....IC 411
- Max. ambient temperature .....+ 40°C
- Altitude.....1000m
- Bearing type.....6310 2Z drive end  
6310 2Z non drive end
- Weight.....109Kg
- Outline drawing.....Page 2
- Vibration level :.....A (acc.IEC 60034-14 )
- Noise level .....acc.IEC 60034-9
- Cable entries..... 2xM40x1.5
- Climate execution .....N

**The overall and mounting dimensions  
IM 1001**



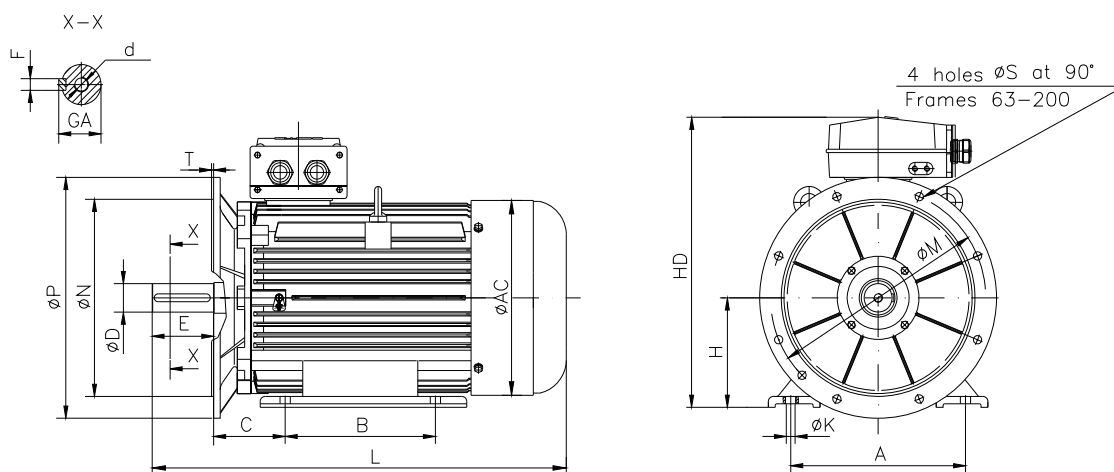
Frame size	Dimensions (mm)																
	Foot mounting									Shaft extension					HD max	AC	L max
A	B	C	H	K	AA	AB	BB	HA	D	E	F	GA	d				
160L-6	254	254	108	160	14.5	84	310	298	14	42k6	110	12h9	45	M16	471	315	660

**The overall and mounting dimensions  
IM 3001; IM 3011**



Frame size	Dimensions (mm)												
	Flange mounting (B5)					Shaft extension					HD max	AC	L max
N	M	P	S	T	D	E	F	GA	d				
160L-6	250	300	350	18.5	5	42k6	110	12h9	45	M16	311	315	660

**The overall and mounting dimensions  
IMB35**



Frame size	Dimensions (mm)																	
	Foot mounting					Flange mounting					Shaft extension					HD max	AC	L max
A	B	C	H <sub>0,5</sub>	K	N	M	P	S	T	D	E	F	GA	d				
160L-6	254	254	108	160	14.5	250	300	350	18.5	5	42k6	110	12h9	45	M16	471	315	660