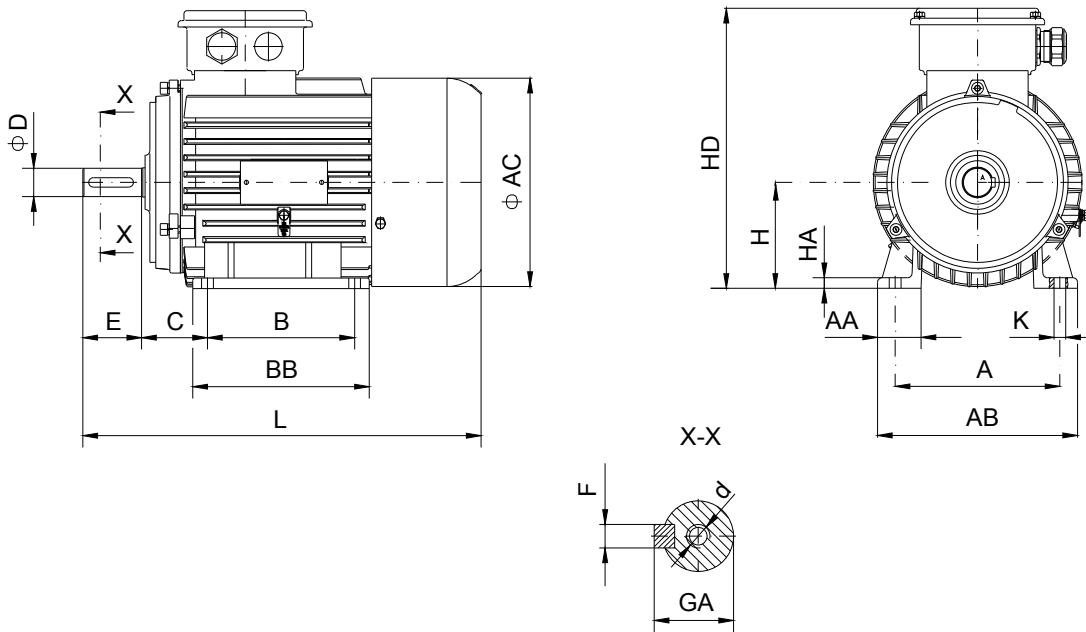


**DATA SHEET**

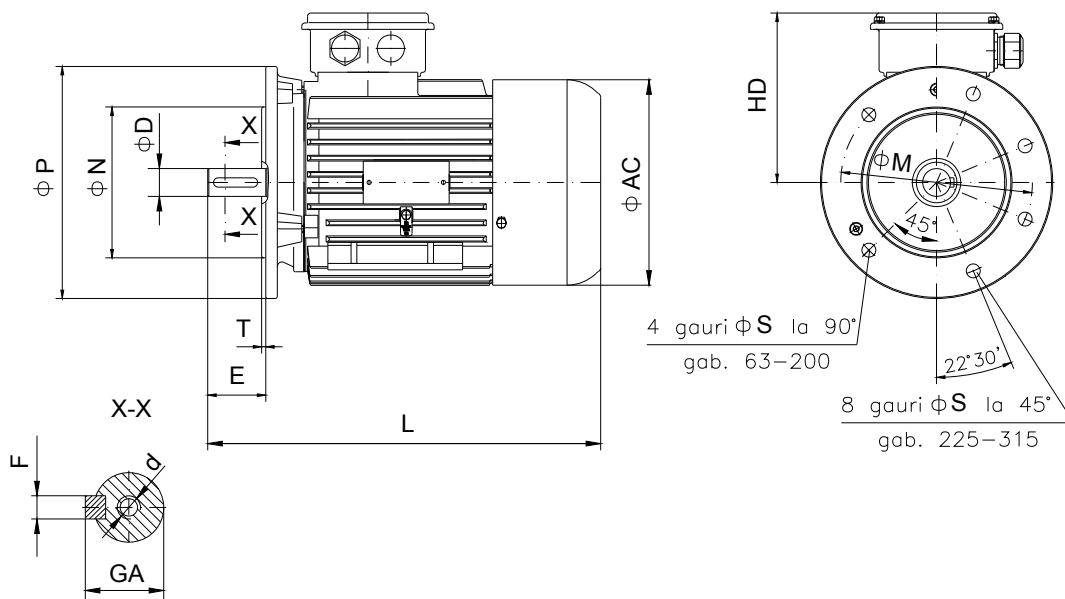
○ Type.....	ASNA 132S-8
○ Reference standard.....	IEC 60034-1 60079-0; 60079-15
○ Rated output.....	2.2 kW
○ Rated stator voltage.....	400V
○ Stator current at 100% load .....	6.51 [A]
○ Number of poles.....	8
○ Rated speed.....	710 rev/min
○ Rated frequency.....	50 Hz
○ Efficiency at 100% load.....	75%
○ Power factor at 100% load.....	0.65
○ Break-down torque.....	2 x Mn
○ Locked rotor torque.....	1.8 x Mn
○ Locked rotor current.....	5 x In
○ Rotor inertia.....	0.03999 kgm <sup>2</sup>
○ Insulation class.....	F
○ Direction of rotation.....	Both(CW&CCW)
○ Protection degree.....	≥IP55
○ Mounting.....	IM
○ Cooling method.....	IC 411
○ Max. ambient temperature .....	+ 40°C
○ Altitude.....	1000m
○ Bearing type.....	6308 2Z drive end 6308 2Z non drive end
○ Weight.....	61Kg
○ Outline drawing.....	Page 2
○ Vibration level :.....	A (acc.IEC 60034-14 )
○ Noise level .....	acc.IEC 60034-9
○ Cable entries.....	2xM32x1.5
○ Climate execution .....	N

**The overall and mounting dimensions  
IM 1001**



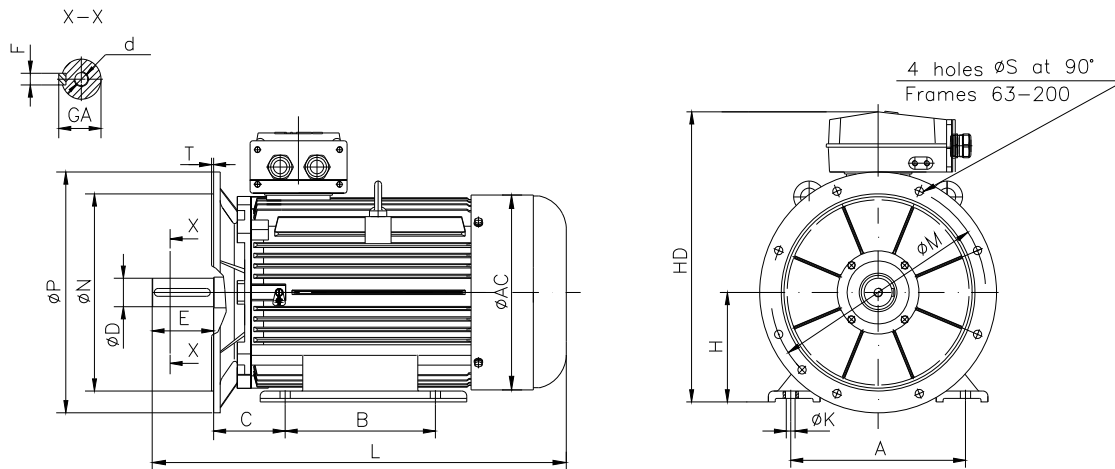
Frame size	Dimensions (mm)																
	Foot mounting								Shaft extension					HD max	AC	L max	
A	B	C	H	K	AA	AB	BB	HA	D	E	F	GA	d				
132S-8	216	140	89	132	12	68	264	220	14	38k6	80	10h9	41	M12	400	263	523

**The overall and mounting dimensions  
IM 3001; IM 3011**



Frame size	Dimensions (mm)											HD max	AC	L max
	Flange mounting (B5)					Shaft extension								
132S-8	N	M	P	S	T	D	E	F	GA	d				
	230	265	300	14.5	4	38k6	80	10h9	41	M12	268	263	523	

**The overall and mounting dimensions  
IMB35**



Frame size	Dimensions (mm)																	
	Foot mounting					Flange mounting					Shaft extension					HD max	AC	L max
A	B	C	H <sub>0.5</sub>	K	N	M	P	S	T	D	E	F	GA	d				
132S-8	216	140	89	132	12	230	265	300	14.5	4	38k6	80	10h9	41	M12	400	263	523

