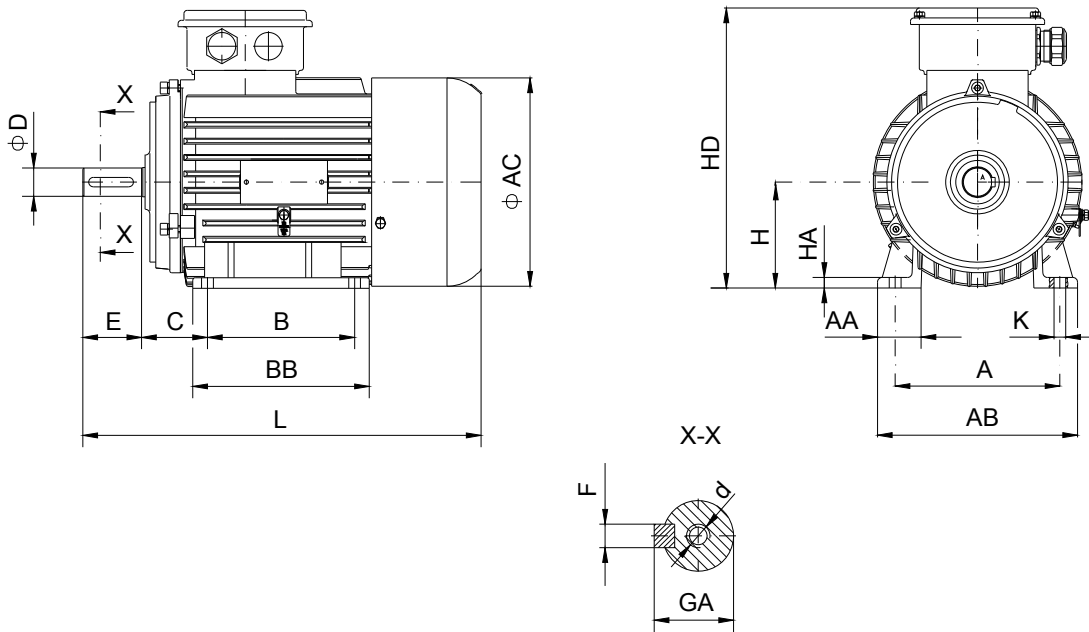


DATA SHEET

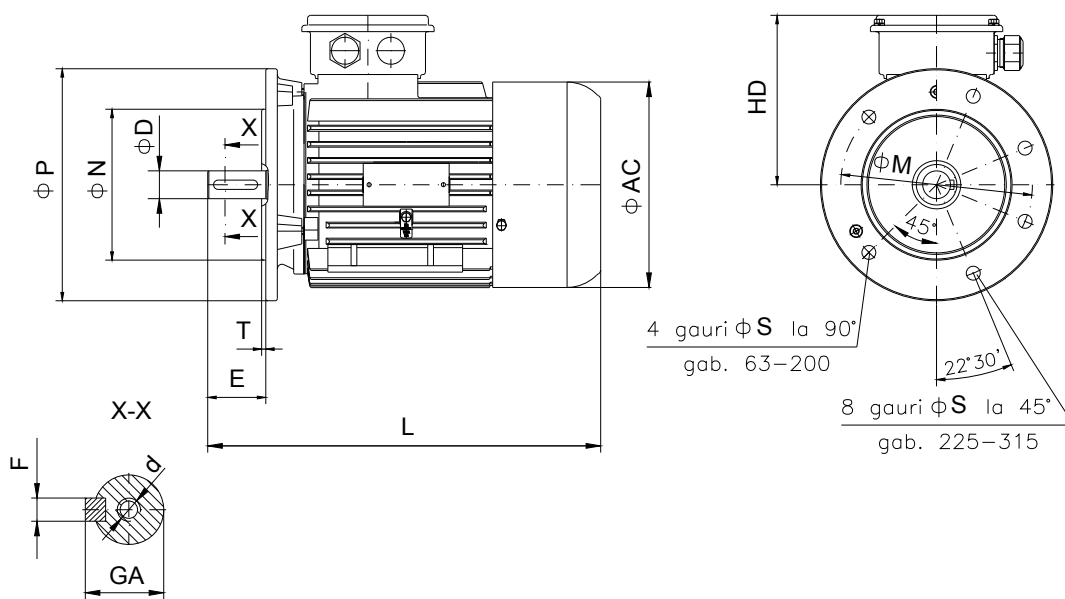
- Type.....ASNA 132S-6
- Reference standard..... IEC 60034-1
60079-0;
60079-15
- Rated output..... 3 kW
- Rated stator voltage.....400V
- Stator current at 100% load7.8 [A]
- Number of poles.....6
- Rated speed.....954 rev/min
- Rated frequency.....50 Hz
- Efficiency at 100% load.....76%
- Power factor at 100% load.....0.73
- Break-down torque.....2.8 x Mn
- Locked rotor torque.....2.1 x Mn
- Locked rotor current.....6 x In
- Rotor inertia.....0.0361 kgm²
- Insulation class.....F
- Direction of rotation.....Both(CW&CCW)
- Protection degree.....≥IP55
- Mounting.....IM
- Cooling method.....IC 411
- Max. ambient temperature+ 40°C
- Altitude.....1000m
- Bearing type.....6308 2Z drive end
6308 2Z non drive end
- Weight.....61Kg
- Outline drawing.....Page 2
- Vibration level :.....A (acc.IEC 60034-14)
- Noise levelacc.IEC 60034-9
- Cable entries.....2xM32x1.5
- Climate executionN

**The overall and mounting dimensions
IM 1001**



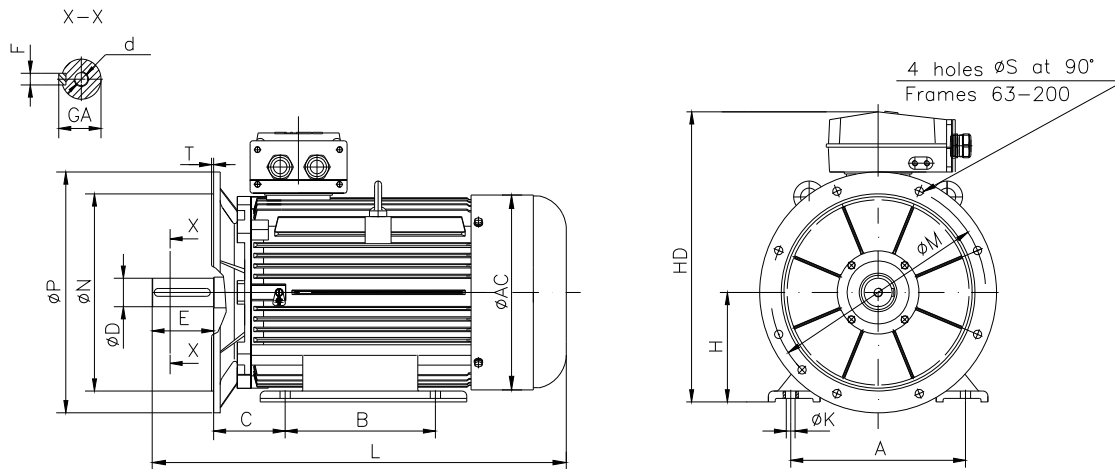
Frame size	Dimensions (mm)															HD max	AC	L max
	Foot mounting							Shaft extension										
	A	B	C	H	K	AA	AB	BB	HA	D	E	F	GA	d				
132S-6	216	140	89	132	12	68	264	220	14	38k6	80	10h9	41	M12	400	263	523	

**The overall and mounting dimensions
IM 3001; IM 3011**



Frame size	Dimensions (mm)												
	Flange mounting (B5)					Shaft extension					HD max	AC	L max
N	M	P	S	T	D	E	F	GA	d				
132S-6	230	265	300	14.5	4	38k6	80	10h9	41	M12	268	263	523

**The overall and mounting dimensions
IMB35**



Frame size	Dimensions (mm)																	
	Foot mounting					Flange mounting					Shaft extension					HD max	AC	L max
A	B	C	H _{0.5}	K	N	M	P	S	T	D	E	F	GA	d				
132S-6	216	140	89	132	12	230	265	300	14.5	4	38k6	80	10h9	41	M12	400	263	523

