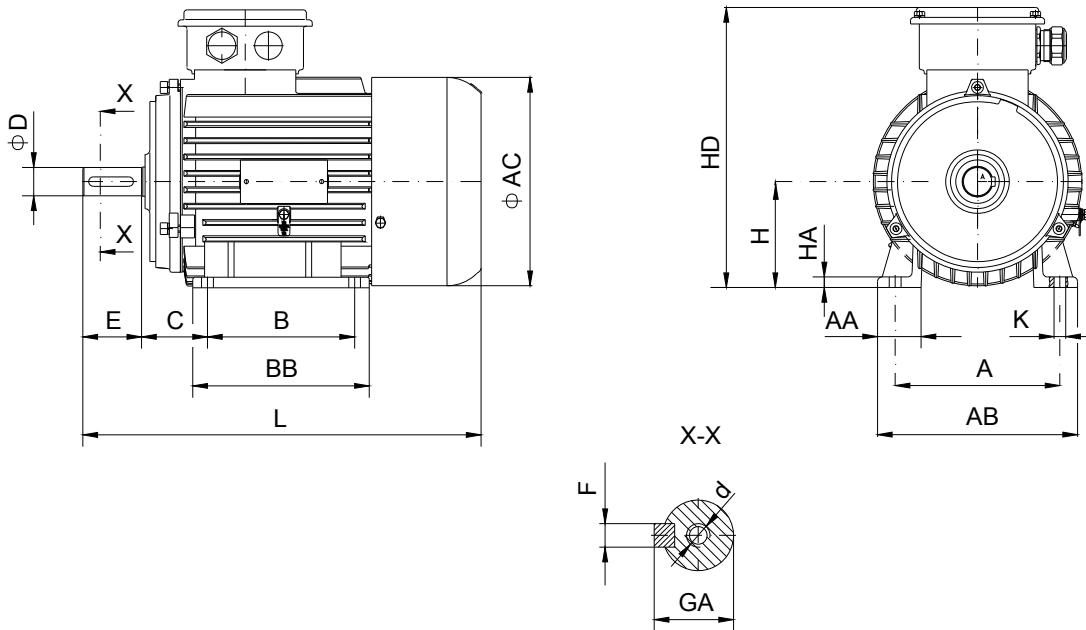


DATA SHEET

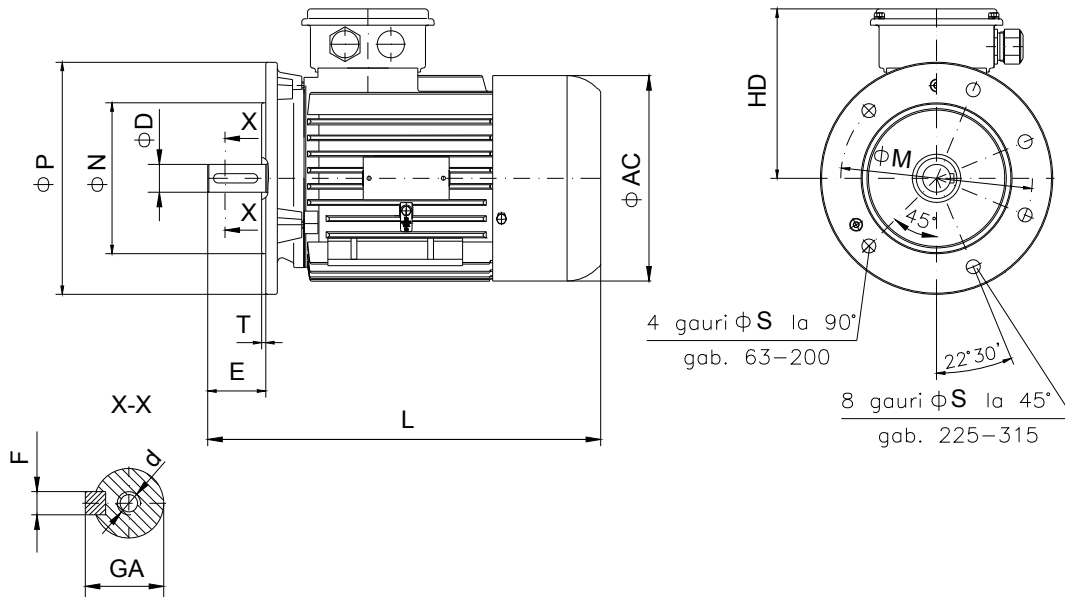
○ Type.....	ASNA 112M-4
○ Reference standard.....	IEC 60034-1 60079-0; 60079-15
○ Rated output.....	4 kW
○ Rated stator voltage.....	400V
○ Stator current at 100% load	8.7 [A]
○ Number of poles.....	4
○ Rated speed.....	1410 rev/min
○ Rated frequency.....	50 Hz
○ Efficiency at 100% load.....	83%
○ Power factor at 100% load.....	0.80
○ Break-down torque.....	2.6 x Mn
○ Locked rotor torque.....	2.4 x Mn
○ Locked rotor current.....	5.5 x In
○ Rotor inertia.....	0.01506 kgm ²
○ Insulation class.....	F
○ Direction of rotation.....	Both(CW&CCW)
○ Protection degree.....	≥IP55
○ Mounting.....	IM
○ Cooling method.....	IC 411
○ Max. ambient temperature.....	+ 40°C
○ Altitude.....	1000m
○ Bearing type.....	6307 2Z drive end 6307 2Z non drive end
○ Weight.....	40Kg
○ Outline drawing.....	Page 2
○ Vibration level :	A (acc.IEC 60034-14)
○ Noise level	acc.IEC 60034-9
○ Cable entries.....	2xM32x1.5
○ Climate execution	N

**The overall and mounting dimensions
IM 1001**



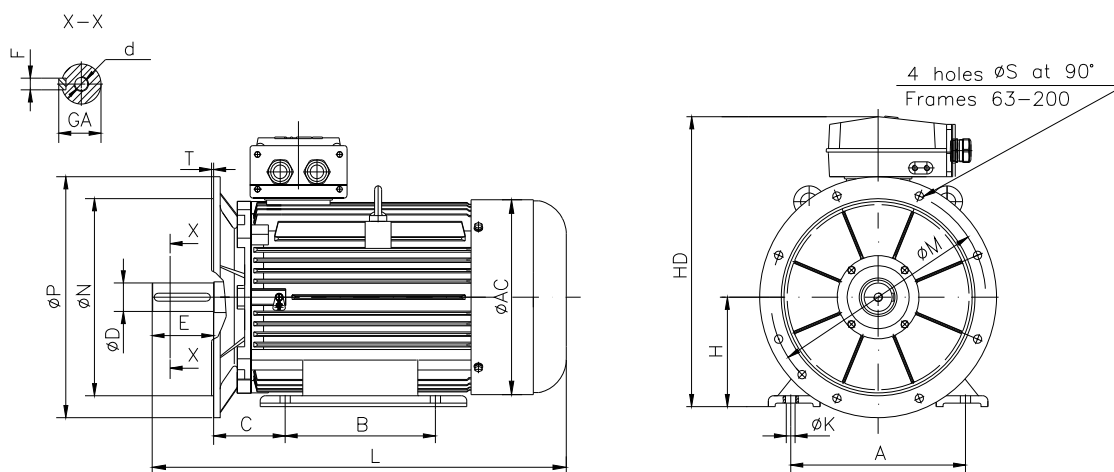
Frame size	Dimensions (mm)															HD max	AC	L max
	Foot mounting							Shaft extension										
112M-4	A	B	C	H	K	AA	AB	BB	HA	D	E	F	GA	d	332	221	456	
	190	140	70	112	12	55	224	176	12	28j6	60	8h9	31	M10				

**The overall and mounting dimensions
IM 3001; IM 3011**



Frame size	Dimensions (mm)											HD max	AC	L max
	Flange mounting (B5)					Shaft extension								
112M-4	N	M	P	S	T	D	E	F	GA	d				
	180	215	250	14.5	4	28j6	60	8h9	31	M10	220	221	456	

**The overall and mounting dimensions
IMB35**



Frame size	Dimensions (mm)																HD max	AC	L max
	Foot mounting					Flange mounting					Shaft extension								
	A	B	C	H _{0,5}	K	N	M	P	S	T	D	E	F	GA	d				
112M-4	190	140	70	112	12	180	215	250	14.5	4	28j6	60	8h9	31	M10	332	221	456	