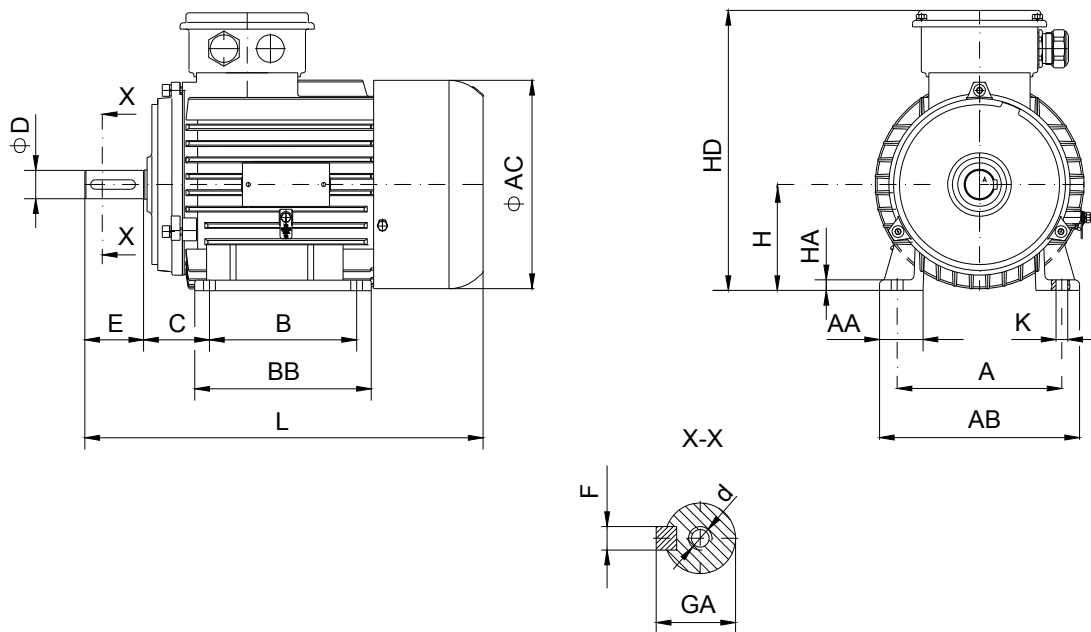


DATA SHEET

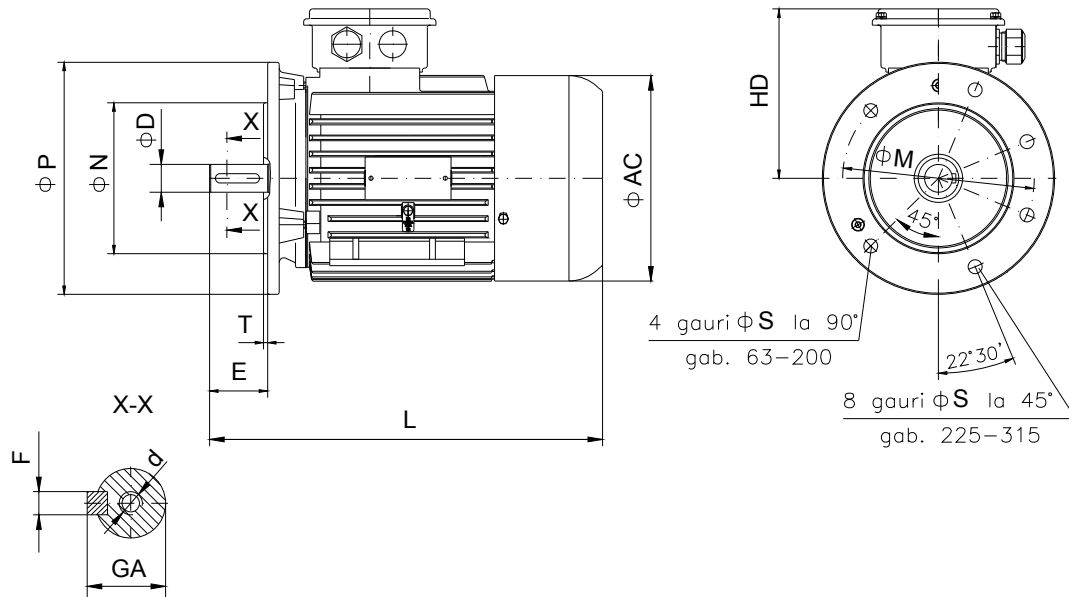
- Type.....ASNA 100L-2
- Reference standard.....IEC 60034-1
60079-0;
60079-15
- Rated output..... 3 kW
- Rated stator voltage.....400V
- Stator current at 100% load.....6.6 [A]
- Number of poles.....2
- Rated speed.....2830 rev/min
- Rated frequency.....50 Hz
- Efficiency at 100% load.....79%
- Power factor at 100% load.....0.83
- Break-down torque.....3.6 x Mn
- Locked rotor torque.....3.5 x Mn
- Locked rotor current.....7 x In
- Rotor inertia.....0.0053 kgm²
- Insulation class.....F
- Direction of rotation.....Both(CW&CCW)
- Protection degree.....≥IP55
- Mounting.....IM
- Cooling method.....IC 411
- Max. ambient temperature.....+40°C
- Altitude.....1000m
- Bearing type.....6306 2Z drive end
6306 2Z non drive end
- Weight.....31Kg
- Outline drawing.....Page 2
- Vibration level :.....A (acc.IEC 60034-14)
- Noise levelacc.IEC 60034-9
- Cable entries.....2xM32x1.5
- Climate executionN

**The overall and mounting dimensions
IM 1001**



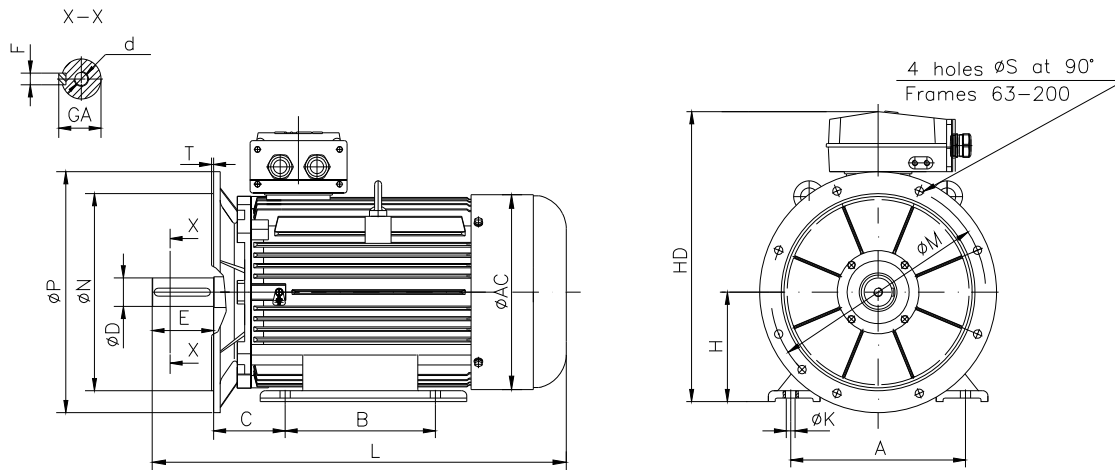
Frame size	Dimensions (mm)																
	Foot mounting								Shaft extension					HD max	AC	L max	
A	B	C	H	K	AA	AB	BB	HA	D	E	F	GA	d				
100L-2	160	140	63	100	12	47	200	176	10	28j6	60	8h9	31	M10	307	199	412

**The overall and mounting dimensions
IM 3001; IM 3011**



Frame size	Dimensions (mm)												
	Flange mounting (B5)					Shaft extension					HD max	AC	L max
N	M	P	S	T	D	E	F	GA	d				
100L-2	180	215	250	14.5	4	28j6	60	8h9	31	M10	207	199	412

**The overall and mounting dimensions
IMB35**



Frame size	Dimensions (mm)																	
	Foot mounting					Flange mounting					Shaft extension					HD max	AC	L max
A	B	C	H _{-0,5}	K	N	M	P	S	T	D	E	F	GA	d				
100L-2	160	140	63	100	12	180	215	250	14.5	4	28j6	60	8h9	31	M10	307	199	412