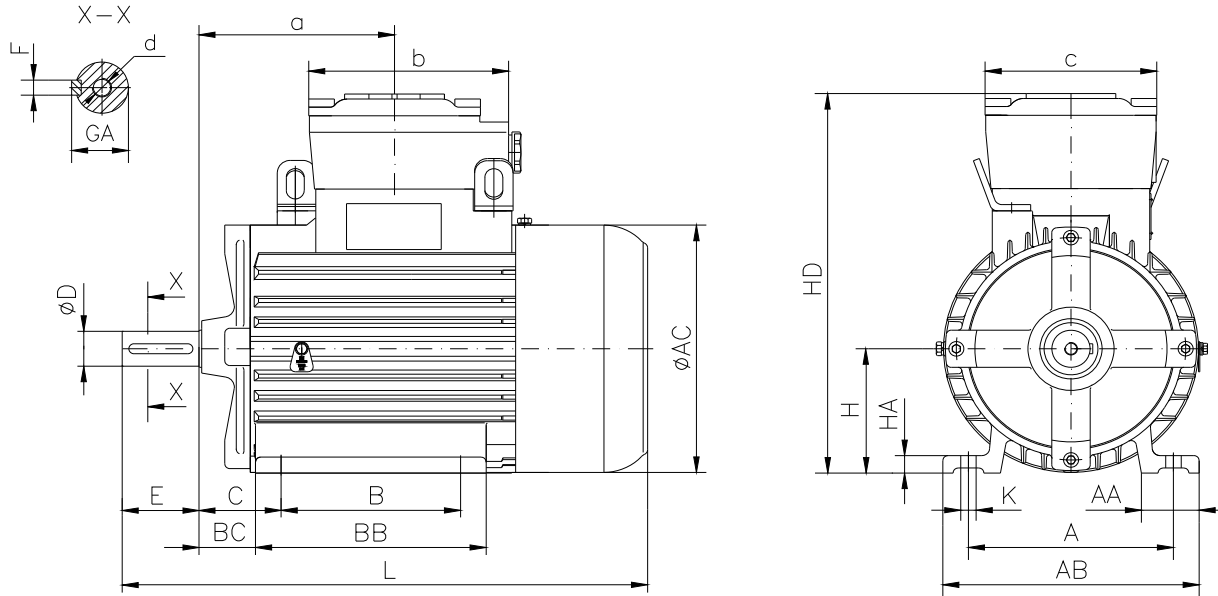


**DATA SHEET**

- Type.....E2-ASA 90Sb-6
- Reference standard.....IEC 60034-1; 60034-30  
EN 60079-0  
EN 60079-1  
EN 60079-7
- Rated output..... 0.75 kW
- Rated stator voltage.....400V
- Stator current at 100% load.....1.89 [A]
- Number of poles.....6
- Rated speed.....948 rev/min
- Rated frequency.....50 Hz
- Efficiency at 100%, 75%, 50% load.....76.2%, 74.7%, 70.3%
- Power factor at 100% load.....0.75
- Break-down torque.....2.3 x Mn
- Locked rotor torque.....2.1 x Mn
- Locked rotor current.....4.6 x In
- Rotor inertia.....0.00863 kgm<sup>2</sup>
- Insulation class.....F
- Direction of rotation.....Both(CW&CCW)
- Protection degree.....≥IP55
- Mounting.....IM
- Cooling method.....IC 411
- Max. ambient temperature.....+40°C
- Altitude.....1000m
- Bearing type.....6305 2Z drive end  
6305 2Z non drive end
- Weight.....32.5 Kg
- Outline drawing.....Page 2
- Vibration level :.....A (acc.IEC 60034-14 )
- Noise level .....acc.IEC 60034-9
- Cable entries.....1xM25x1.5
- Climate execution .....N

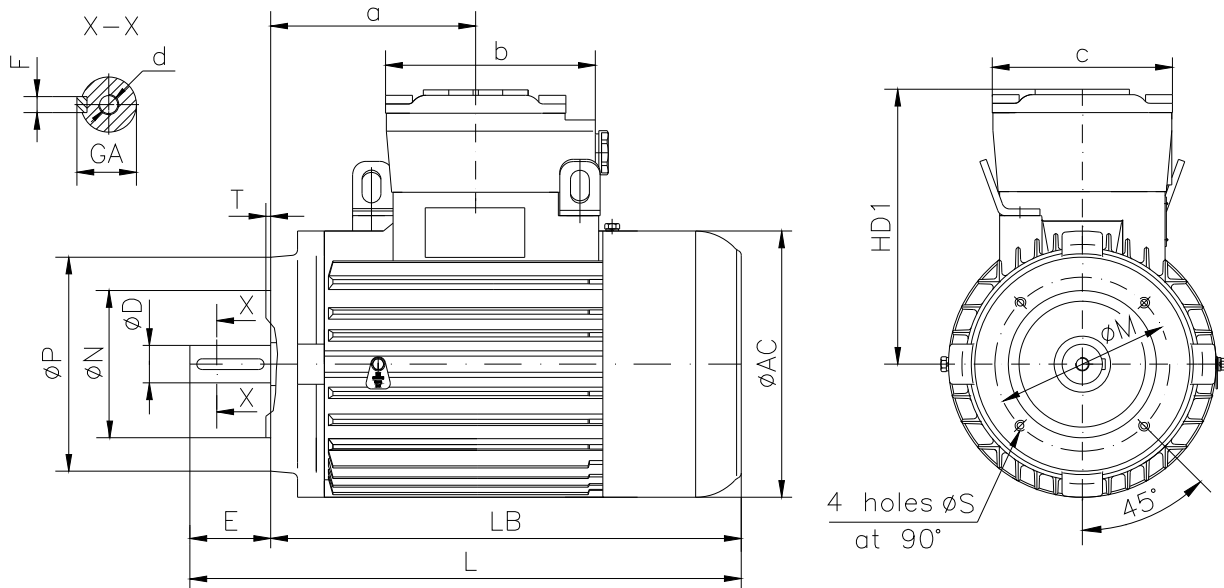
**The overall and mounting dimensions  
IM 1001**



Frame size	Dimensions (mm)																				
	Foot mounting										Shaft extension					HD	AC	L	a	b	c
90Sb-6	A	B	C	H <sub>0.5</sub>	K	AA	AB	BB	BC	HA	D	E	F	GA	d						
	140	100	56	90	10	40	180	190	39.5	13	24j6	50	8h9	27	M8	272	177	411	140	125	120



**The overall and mounting dimensions  
IM 3601**



Frame size	Dimensions (mm)																		
	Flange mounting (B14)						Shaft extension		Fh	9	GA	d	AC	HD1	LB	L	a	b	c
90 Sb-6	Flange	N	M	P	S	T	D	E											
	F115	95j6	115	140	M8	3	24j6	50	8	27	M8	177	182	361	411	140	125	120	
	F130	110j6	130	160	M8	3.5													