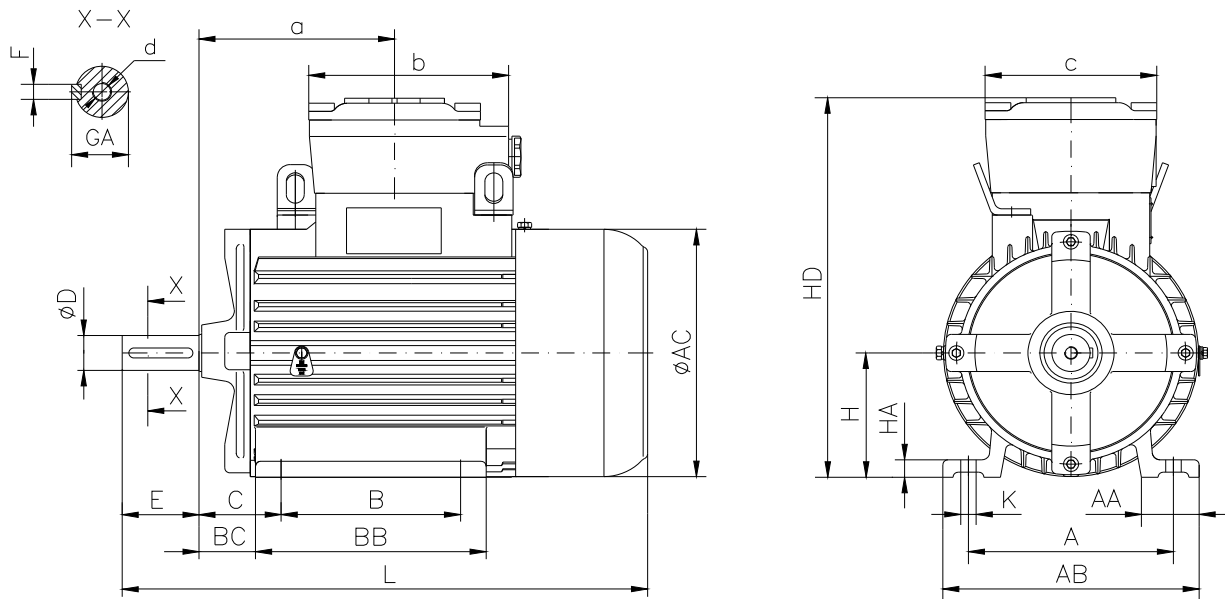


DATA SHEET

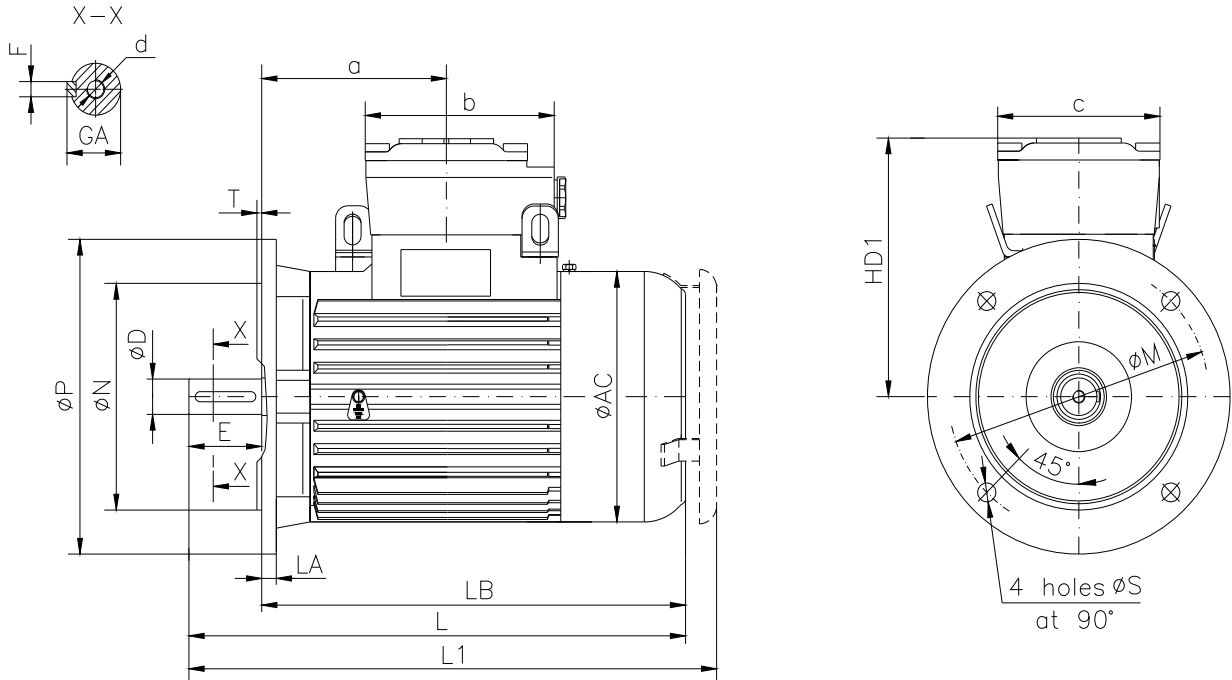
○ Type.....	E2-ASA 90L-6
○ Reference standard.....	IEC 60034-1; 60034-30 EN 60079-0 EN 60079-1 EN 60079-7
○ Rated output.....	1.1 kW
○ Rated stator voltage.....	400V
○ Stator current at 100% load.....	2.76 [A]
○ Number of poles.....	6
○ Rated speed.....	950 rev/min
○ Rated frequency.....	50 Hz
○ Efficiency at 100%, 75%, 50% load.....	78.1%, 76.6%, 73.2%
○ Power factor at 100% load.....	0.74
○ Break-down torque.....	2.9 x Mn
○ Locked rotor torque.....	2.4 x Mn
○ Locked rotor current.....	5.1 x In
○ Rotor inertia.....	0.01146 kgm ²
○ Insulation class.....	F
○ Direction of rotation.....	Both(CW&CCW)
○ Protection degree.....	≥IP55
○ Mounting.....	IM
○ Cooling method.....	IC 411
○ Max. ambient temperature.....	+40°C
○ Altitude.....	1000m
○ Bearing type.....	6305 2Z drive end 6305 2Z non drive end
○ Weight.....	42 Kg
○ Outline drawing.....	Page 2
○ Vibration level :.....	A (acc.IEC 60034-14)
○ Noise level	acc.IEC 60034-9
○ Cable entries.....	1xM25x1.5
○ Climate execution	N

**The overall and mounting dimensions
IM 1001**



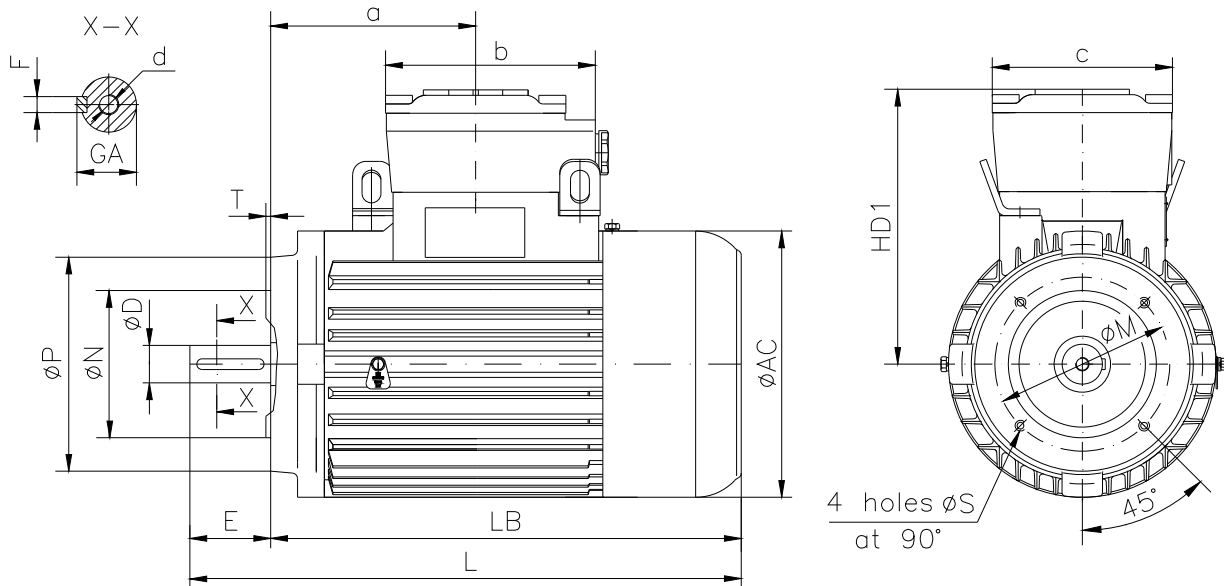
Frame size	Dimensions (mm)																				
	Foot mounting										Shaft extension					HD	AC	L	a	b	c
90L-6	A	B	C	H _{0.5}	K	AA	AB	BB	BC	HA	D	E	F	GA	d						
	140	125	56	90	10	40	180	190	39.5	13	24j6	50	8h9	27	M8	272	177	411	140	125	120

**The overall and mounting dimensions
IM 3001; IM 3011**



Frame size	Dimensions (mm)																		
	Flange mounting (B5)					Shaft extension					HD1	AC	LA	LB	L	L1	a	b	c
N	M	P	S	T	D	E	F	GA	d										
90L-6	130j6	165	200	12	3.5	24j6	50	8h9	27	M8	182	177	10	361	411	442	140	125	120

**The overall and mounting dimensions
IM 3601**



Frame size	Dimensions (mm)																		
	Flange mounting (B14)						Shaft extension		Fh	9	GA	d	AC	HD1	LB	L	a	b	c
90 L-6	Flange	N	M	P	S	T	D	E											
	F115	95j6	115	140	M8	3	24j6	50	8	27	M8	177	182	361	411	140	125	120	
	F130	110j6	130	160	M8	3.5													