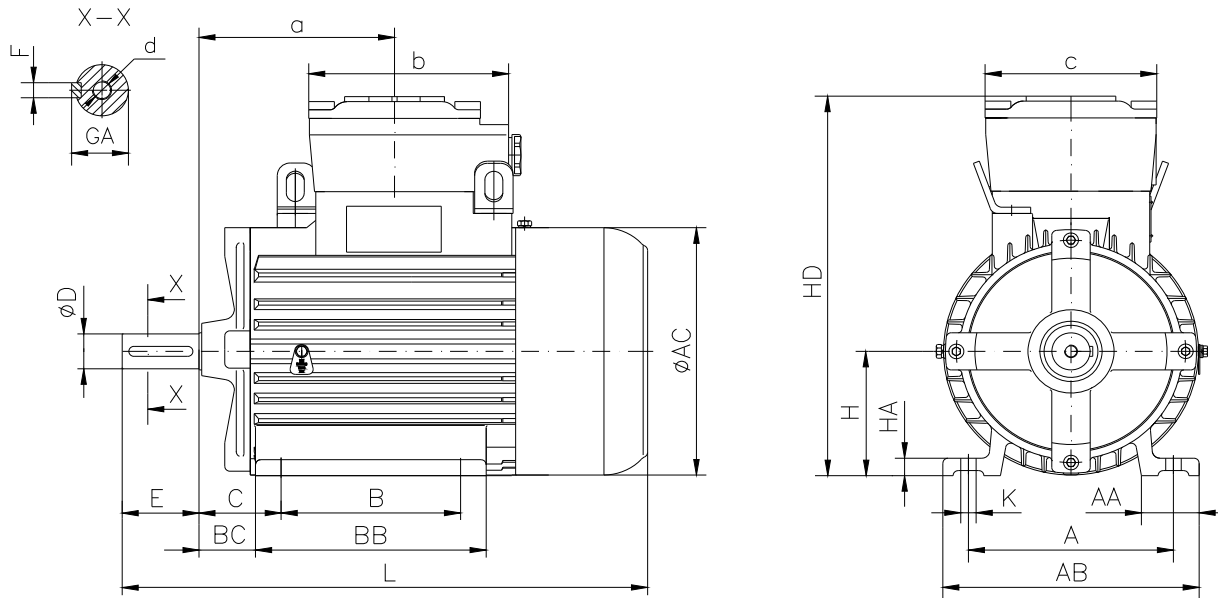


DATA SHEET

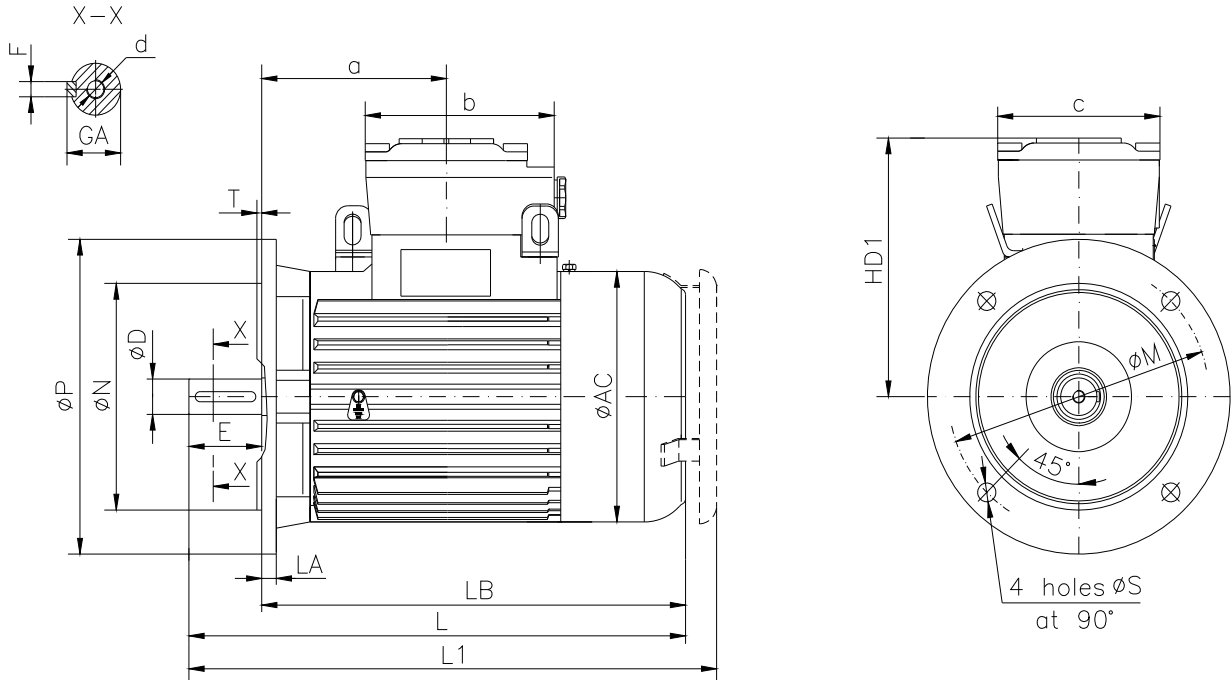
- Type.....E2-ASA 90L-4
- Reference standard..... IEC 60034-1; 60034-30
EN 60079-0
EN 60079-1
EN 60079-7
- Rated output..... 1.5 kW
- Rated stator voltage.....400V
- Stator current at 100% load.....3.33 [A]
- Number of poles.....4
- Rated speed.....1420 rev/min
- Rated frequency.....50 Hz
- Efficiency at 100%, 75%, 50% load.....82.8%, 82.4%, 80.4%
- Power factor at 100% load.....0.78
- Break-down torque.....2.9 x Mn
- Locked rotor torque.....2.9 x Mn
- Locked rotor current.....6.2 x In
- Rotor inertia.....0.00706 kgm²
- Insulation class.....F
- Direction of rotation.....Both(CW&CCW)
- Protection degree.....≥IP55
- Mounting.....IM
- Cooling method.....IC 411
- Max. ambient temperature.....+40°C
- Altitude.....1000m
- Bearing type.....6305 2Z drive end
6305 2Z non drive end
- Weight.....37 Kg
- Outline drawing.....Page 2
- Vibration level :.....A (acc.IEC 60034-14)
- Noise levelacc.IEC 60034-9
- Cable entries.....1xM25x1.5
- Climate executionN

**The overall and mounting dimensions
IM 1001**



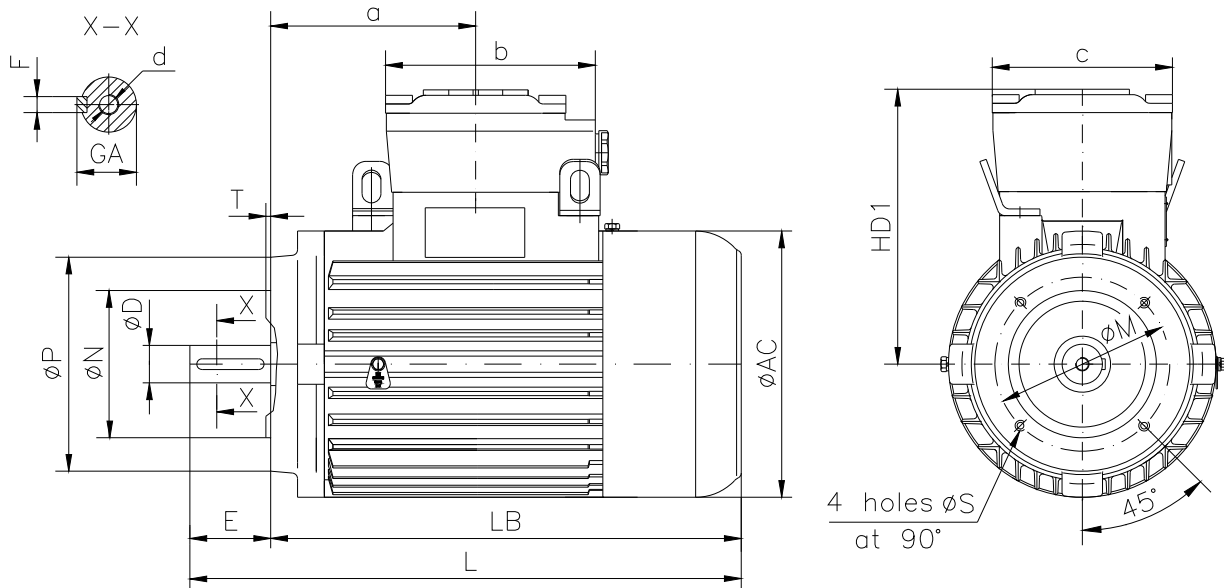
Frame size	Dimensions (mm)																				
	Foot mounting										Shaft extension					HD	AC	L	a	b	c
90L-4	A	B	C	H _{0.5}	K	AA	AB	BB	BC	HA	D	E	F	GA	d						
	140	125	56	90	10	40	180	190	39.5	13	24j6	50	8h9	27	M8	272	177	411	140	125	120

**The overall and mounting dimensions
IM 3001; IM 3011**



Frame size	Dimensions (mm)																		
	Flange mounting (B5)					Shaft extension					HD1	AC	LA	LB	L	L1	a	b	c
	N	M	P	S	T	D	E	F	GA	d									
90L-4	130j6	165	200	12	3.5	24j6	50	8h9	27	M8	182	177	10	361	411	442	140	125	120

**The overall and mounting dimensions
IM 3601**



Frame size	Dimensions (mm)																	
	Flange mounting (B14)						Shaft extension			Fh9	GA	d	AC	HD1	LB	L	a	b
90 L-4	Flange	N	M	P	S	T	D	E										
	F115	95j6	115	140	M8	3	24j6	50	8	27	M8	177	182	361	411	140	125	120
	F130	110j6	130	160	M8	3.5												