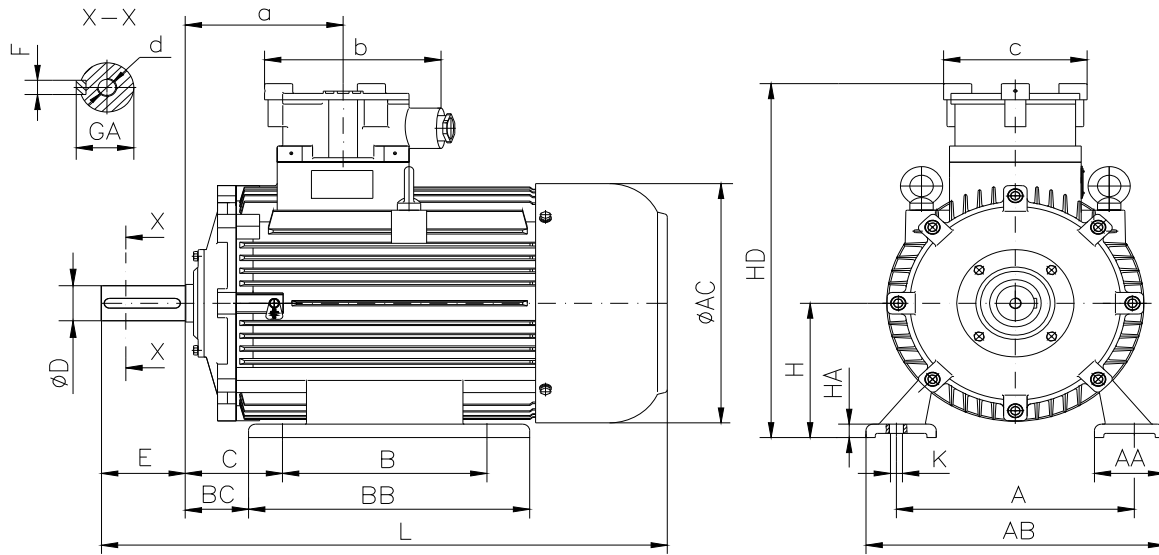


**DATA SHEET**

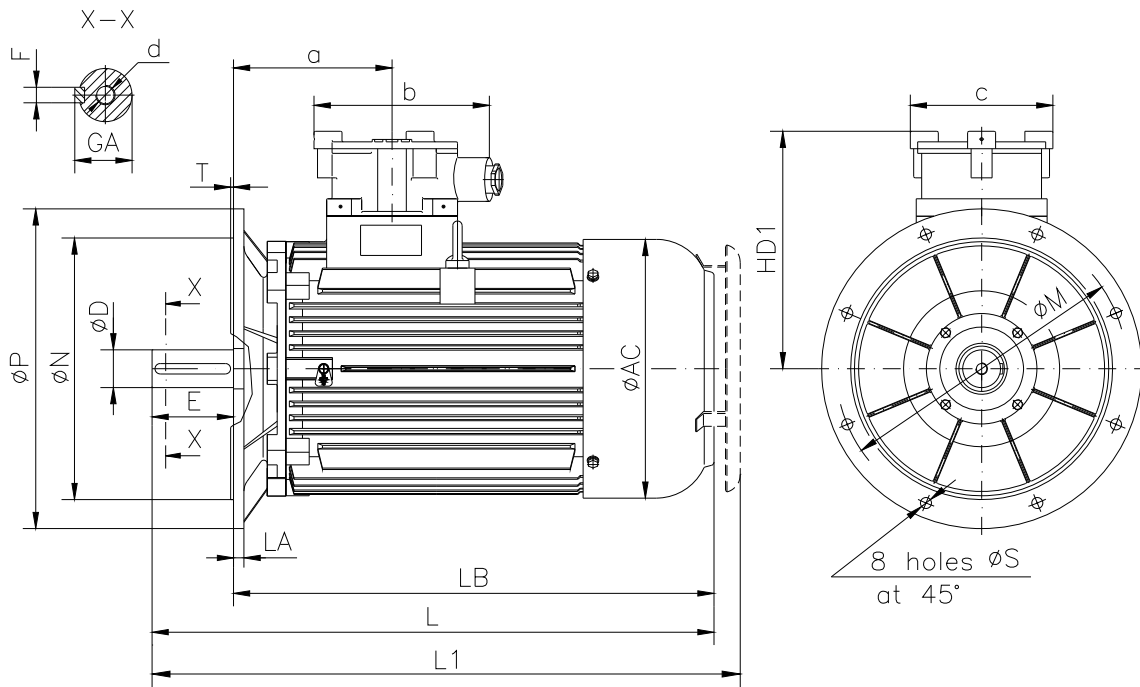
○ Type.....	E2-ASA 225S-4
○ Reference standard.....	IEC 60034-1; 60034-30 EN 60079-0 EN 60079-1 EN 60079-7
○ Rated output.....	37 kW
○ Rated stator voltage.....	400V
○ Rated frequency.....	50 Hz
○ Stator current at 100% load.....	66 A
○ Number of poles.....	4
○ Rated speed.....	1474 rev/min
○ Efficiency at 100%, 75%, 50% load.....	92.9%, 92.7%, 91.5%
○ Power factor at 100% load.....	0.89
○ Break-down torque.....	3.2 x Mn
○ Locked rotor torque.....	3.2 x Mn
○ Locked rotor current.....	7 x In
○ Rotor inertia.....	0.40778 kgm <sup>2</sup>
○ Insulation class.....	F
○ Direction of rotation.....	Both(CW&CCW)
○ Protection degree.....	≥IP55
○ Mounting.....	IM
○ Cooling method.....	IC 411
○ Max. ambient temperature.....	+40°C
○ Altitude.....	1000m
○ Bearing type.....	6313 2Z drive end 6313 2Z non drive end
○ Weight.....	360 Kg
○ Outline drawing.....	Page 2
○ Thermal winding protection.....	3xPTC
○ Vibration level.....	A(acc.IEC 60034-14)
○ Noise level.....	acc.IEC 60034-9
○ Cable entries.....	2xM50x1.5
○ Additional cable entries.....	1xM20x1.5
○ Climate execution .....	N

**The overall and mounting dimensions  
IM 1001**



Frame size	Dimensions (mm)																				
	Foot mounting										Shaft extension					HD	AC	L	a	b	c
225 S-4	A	B	C	H <sub>0.5</sub>	K	AA	AB	BB	BC	HA	D	E	F	GA	d						
	356	286	149	225	18.5	100	450	430	114	25	60m6	140	18h9	64	M20	635	446	1010	275	275	240

**The overall and mounting dimensions  
IM 3001; IM 3011**



Frame size	Dimensions (mm)																			
	Flange mounting (B5)					Shaft extension					HD1	AC	LA	LB	L	L1	a	b	c	
N	M	P	S	T	D	E	F	GA	d											
225 S-4	350j6	400	450	18.5	5	60m6	140	18h9	64	M20	410	446	18	866	1010	1055	275	275	240	