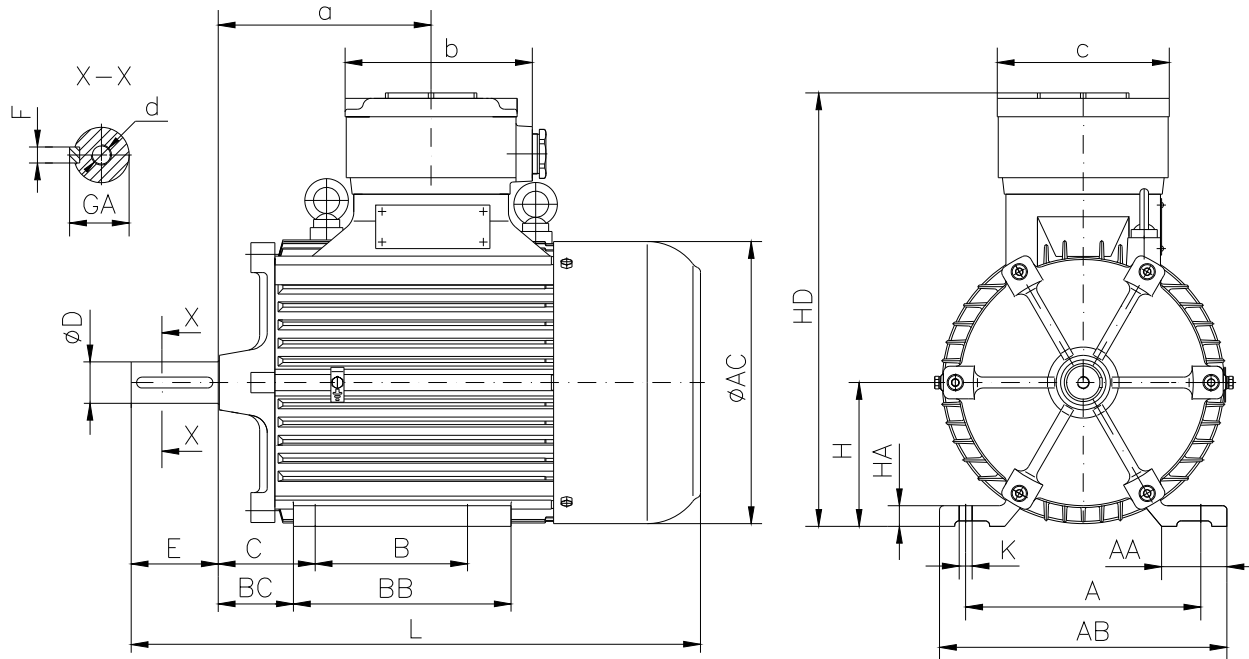


DATA SHEET

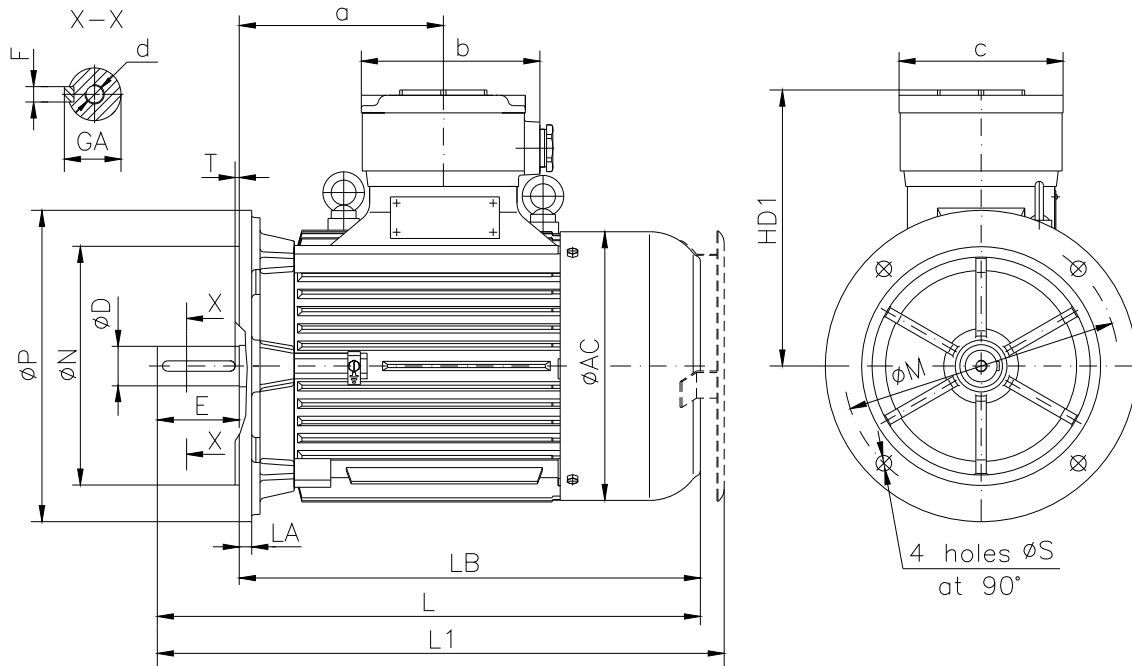
○ Type.....	E2-ASA 180M-4
○ Reference standard.....	IEC 60034-1; 60034-30 EN 60079-0 EN 60079-1 EN 60079-7
○ Rated output.....	18.5 kW
○ Rated stator voltage.....	400V
○ Stator current at 100% load.....	33.3 A
○ Number of poles.....	4
○ Rated speed.....	1471 rev/min
○ Rated frequency.....	50 Hz
○ Efficiency at 100%, 75%, 50% load.....	92.6%, 92.5%, 91.5%
○ Power factor at 100% load.....	0.87
○ Break-down torque.....	2.8 x Mn
○ Locked rotor torque.....	2.3 x Mn
○ Locked rotor current.....	7.7 x In
○ Rotor inertia.....	0.16731 kgm ²
○ Insulation class.....	F
○ Direction of rotation.....	Both(CW&CCW)
○ Protection degree.....	≥IP55
○ Mounting.....	IM
○ Cooling method.....	IC 411
○ Max. ambient temperature	+ 40°C
○ Altitude.....	1000m
○ Bearing type.....	6311 2Z drive end 6311 2Z non drive end
○ Weight.....	215 Kg
○ Outline drawing.....	Page 2
○ Vibration level :.....	A(acc.IEC 60034-14)
○ Noise level	acc.IEC 60034-9
○ Cable entries.....	2xM40x1.5
○ Climate execution	N

**The overall and mounting dimensions
IM 1001**



Frame size	Dimensions (mm)																				
	Foot mounting										Shaft extension					HD	AC	L	a	b	c
A	B	C	H _{0.5}	K	AA	AB	BB	BC	HA	D	E	F	GA	d							
180 M-4	279	241	121	180	14.5	80	360	340	87	25	48k6	110	14h9	51.5	M16	507	357	730	275	210	195

**The overall and mounting dimensions
IM 3001; IM 3011**



Frame size	Dimensions (mm)											HD1	AC	LA	LB	L	L1	a	b	c
	Flange mounting (B5)					Shaft extension														
	N	M	P	S	T	D	E	F	GA	d										
180 M-4	250j6	300	350	18.5	5	48k6	110	14h9	51.5	M16	327	357	16	620	730	790	275	210	195	