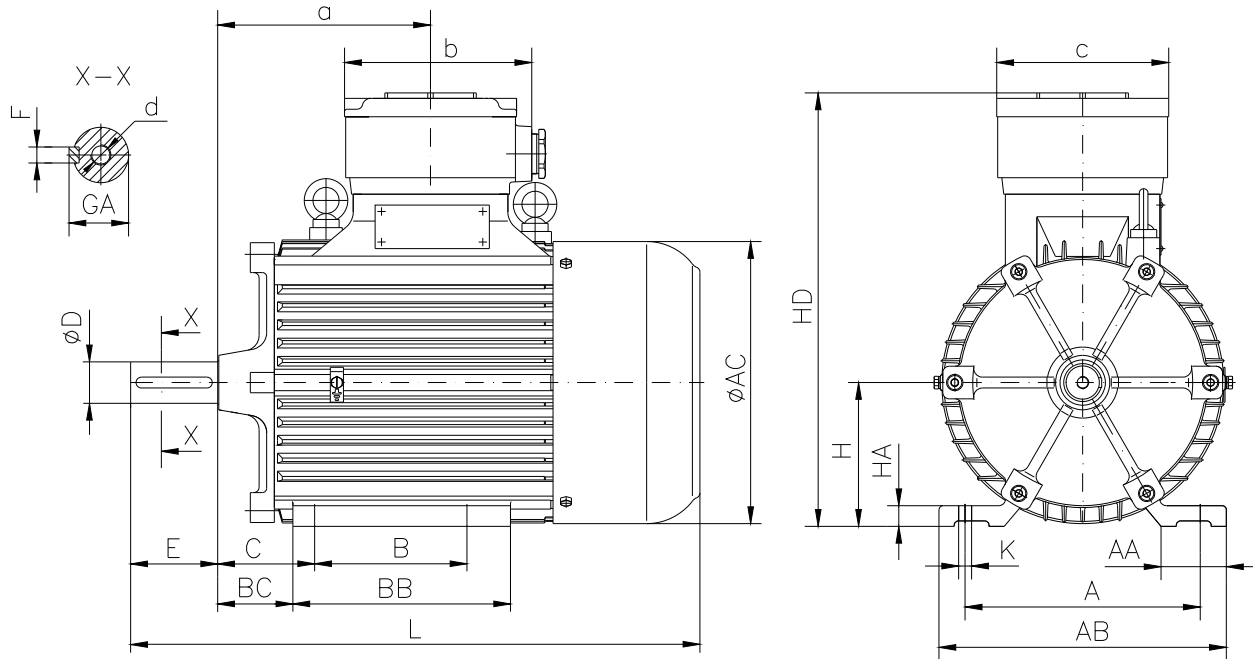


DATA SHEET

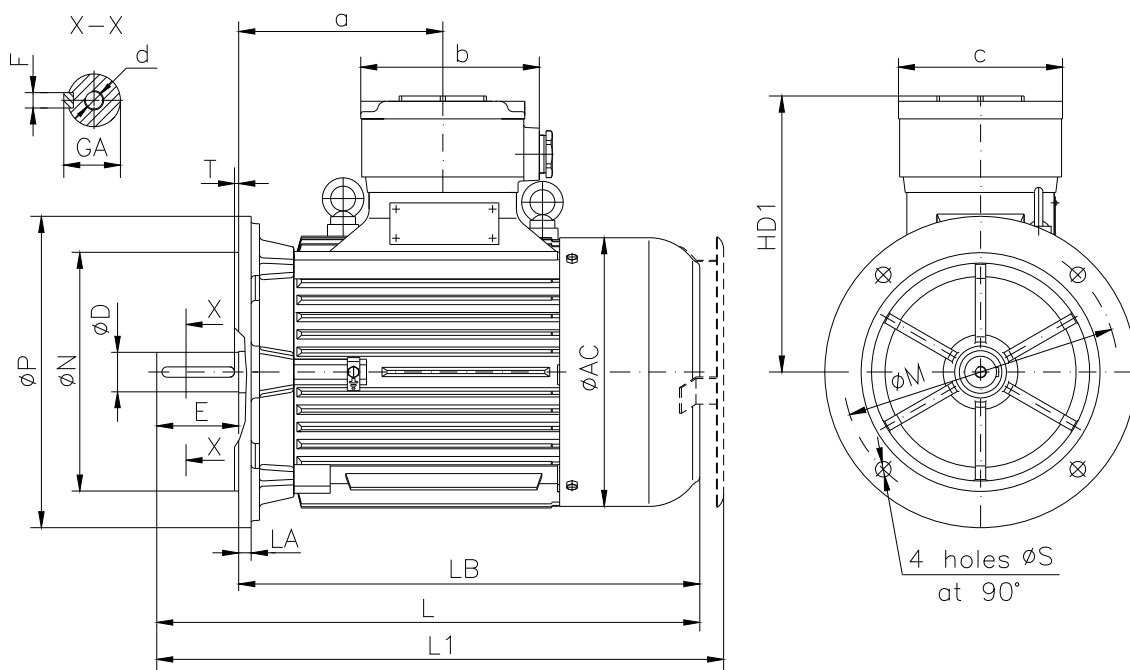
| | |
|--|---|
| ○ Type..... | E2-ASA 180L-4 |
| ○ Reference standard..... | IEC 60034-1; 60034-30 EN 60079-0 EN 60079-1 EN 60079-7 |
| ○ Rated output..... | 22 kW |
| ○ Rated stator voltage..... | 400V |
| ○ Stator current at 100% load | 39.1[A] |
| ○ Number of poles..... | 4 |
| ○ Rated speed..... | 1470 rev/min |
| ○ Rated frequency..... | 50 Hz |
| ○ Efficiency at 100%, 75%, 50% load..... | 92.3%, 92.2%, 90.5% |
| ○ Power factor at 100% load..... | 0.88 |
| ○ Break-down torque..... | 2.8 x Mn |
| ○ Locked rotor torque..... | 2.3 x Mn |
| ○ Locked rotor current..... | 7.8 x In |
| ○ Rotor inertia..... | 0.18761 kgm ² |
| ○ Insulation class..... | F |
| ○ Direction of rotation..... | Both(CW&CCW) |
| ○ Protection degree..... | ≥IP55 |
| ○ Mounting..... | IM |
| ○ Cooling method..... | IC 411 |
| ○ Max. ambient temperature | + 40°C |
| ○ Altitude..... | 1000m |
| ○ Bearing type..... | 6311 2Z drive end 6311 2Z non drive end |
| ○ Weight..... | 230 Kg |
| ○ Outline drawing..... | Page 2 |
| ○ Vibration level : | A (acc.IEC 60034-14) |
| ○ Noise level | acc.IEC 60034-9 |
| ○ Cable entries..... | 2xM40x1.5 |
| ○ Climate execution | N |

**The overall and mounting dimensions
IM 1001**



| Frame size | Dimensions (mm) | | | | | | | | | | | | | | | | | | | | |
|------------|-----------------|-----|------------------|-----|------|----|-----|-----|----|----|-----------------|-----|------|------|-----|-----|-----|-----|-----|-----|-----|
| | Foot mounting | | | | | | | | | | Shaft extension | | | | | | HD | AC | L | a | b |
| A | B | C | H _{0.5} | K | AA | AB | BB | BC | HA | D | E | F | GA | d | | | | | | | |
| 180 L-4 | 279 | 279 | 121 | 180 | 14.5 | 80 | 360 | 340 | 87 | 25 | 48k6 | 110 | 14h9 | 51.5 | M16 | 507 | 357 | 730 | 275 | 210 | 195 |

**The overall and mounting dimensions
IM 3001; IM 3011**



| Frame size | Dimensions (mm) | | | | | | | | | | | | | | | | | | |
|------------|----------------------|-----|-----|------|---|-----------------|-----|------|------|-----|-----|-----|----|-----|-----|-----|-----|-----|-----|
| | Flange mounting (B5) | | | | | Shaft extension | | | | | HD1 | AC | LA | LB | L | L1 | a | b | c |
| N | M | P | S | T | D | E | F | GA | d | | | | | | | | | | |
| 180 L-4 | 250j6 | 300 | 350 | 18.5 | 5 | 48k6 | 110 | 14h9 | 51.5 | M16 | 327 | 357 | 16 | 620 | 730 | 790 | 275 | 210 | 195 |