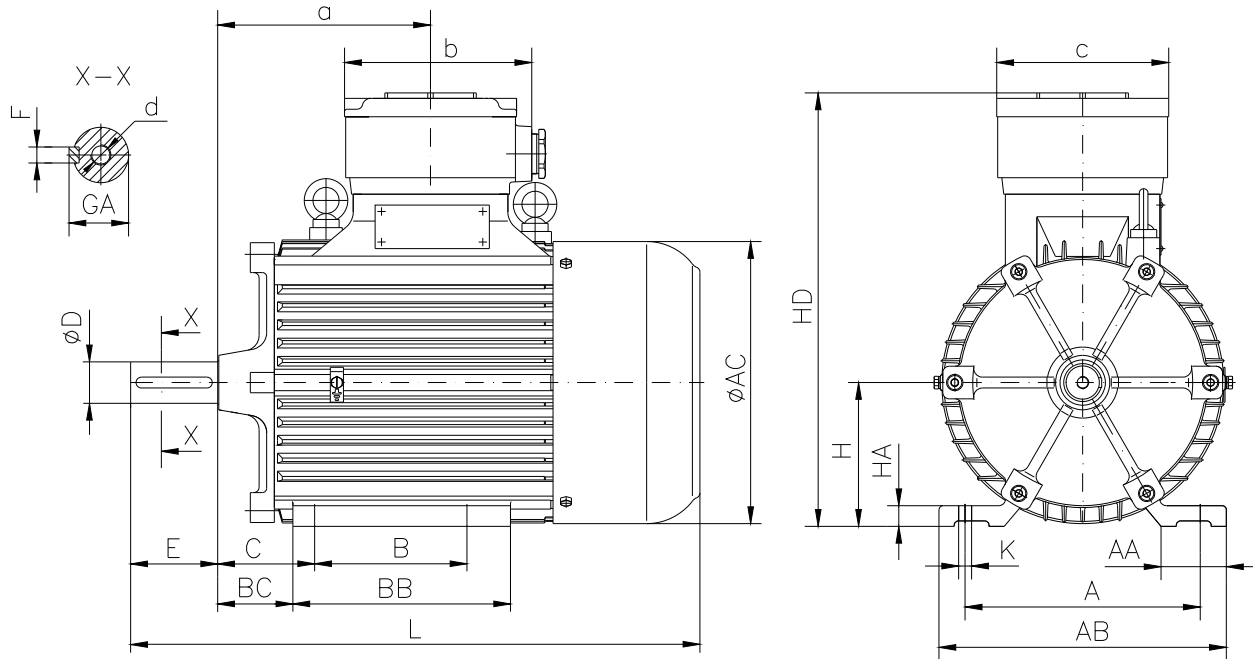


DATA SHEET

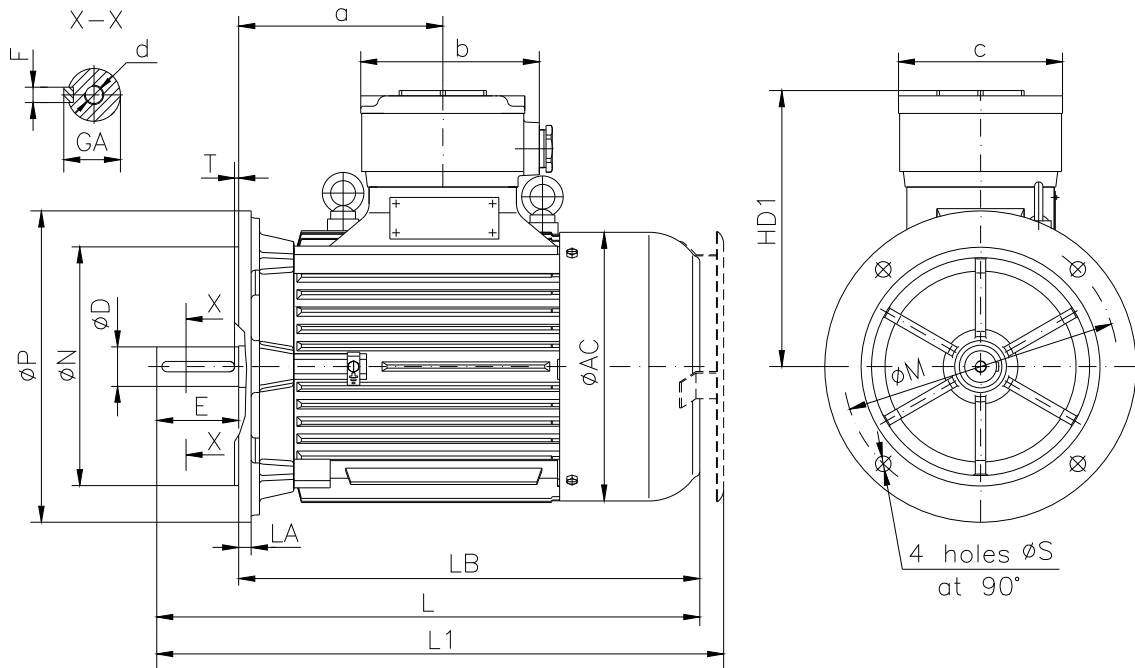
- Type.....E2-ASA 160M-6
- Reference standard..... IEC 60034-1; 60034-30
EN 60079-0
EN 60079-1
EN 60079-7
- Rated output..... 7.5 kW
- Rated stator voltage.....400V
- Stator current at 100% load.....14.8[A]
- Number of poles.....6
- Rated speed.....964 rev/min
- Rated frequency.....50 Hz
- Efficiency at 100%, 75%, 50% load.....87.2%, 87.8%, 86.7%
- Power factor at 100% load.....0.85
- Break-down torque.....2.9 x Mn
- Locked rotor torque.....2.0 x Mn
- Locked rotor current.....5.8 x In
- Rotor inertia0.11652 kgm²
- Insulation class.....F
- Direction of rotation.....Both(CW&CCW)
- Protection degree.....≥IP55
- Mounting.....IM
- Cooling method.....IC 411
- Max. ambient temperature+ 40°C
- Altitude.....1000m
- Bearing type.....6310 2Z drive end
6310 2Z non drive end
- Outline drawing.....Page 2
- Vibration level :.....A (acc.IEC 60034-14)
- Noise levelacc.IEC 60034-9
- Cable entries..... 2xM40x1.5
- Climate executionN

**The overall and mounting dimensions
IM 1001**



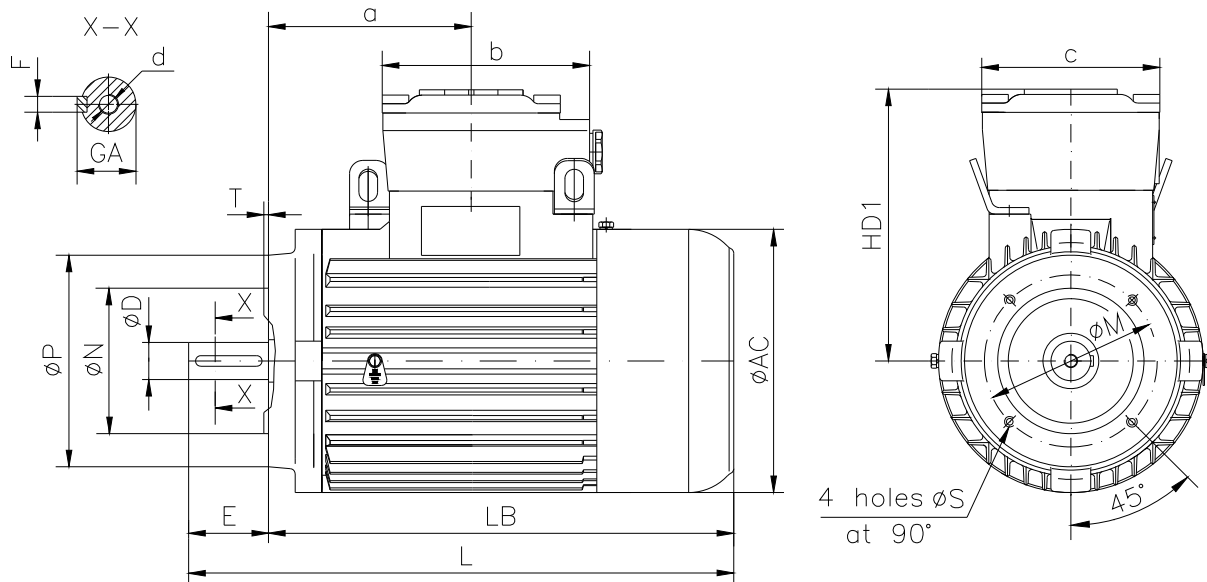
Frame size	Dimensions (mm)																				
	Foot mounting										Shaft extension						HD	AC	L	a	b
A	B	C	H _{0.5}	K	AA	AB	BB	BC	HA	D	E	F	GA	d							
160 M-6	254	210	108	160	14.5	80	320	300	80	20	42k6	110	12h9	45	M16	471	317	660	245	210	195

**The overall and mounting dimensions
IM 3001; IM 3011**



Frame size	Dimensions (mm)																		
	Flange mounting (B5)					Shaft extension					HD1	AC	LA	LB	L	L1	a	b	c
N	M	P	S	T	D	E	F	GA	d										
160 M-6	250j6	300	350	18.5	5	42k6	110	12h9	45	M16	311	317	14	550	660	715	245	210	195

**The overall and mounting dimensions
IM 3601**



Frame size	Dimensions (mm)																	
	Flange mounting (B14)						Shaft extension		Fh9	GA	d	AC	HD1	LB	L	a	b	c
160 M-6	Flange	N	M	P	S	T	D	E										
	F215	180j6	215	250	M12	4	42k6	110	12	45	M16	317	311	550	660	245	210	195
	F265	230j6	265	300	M12	4												