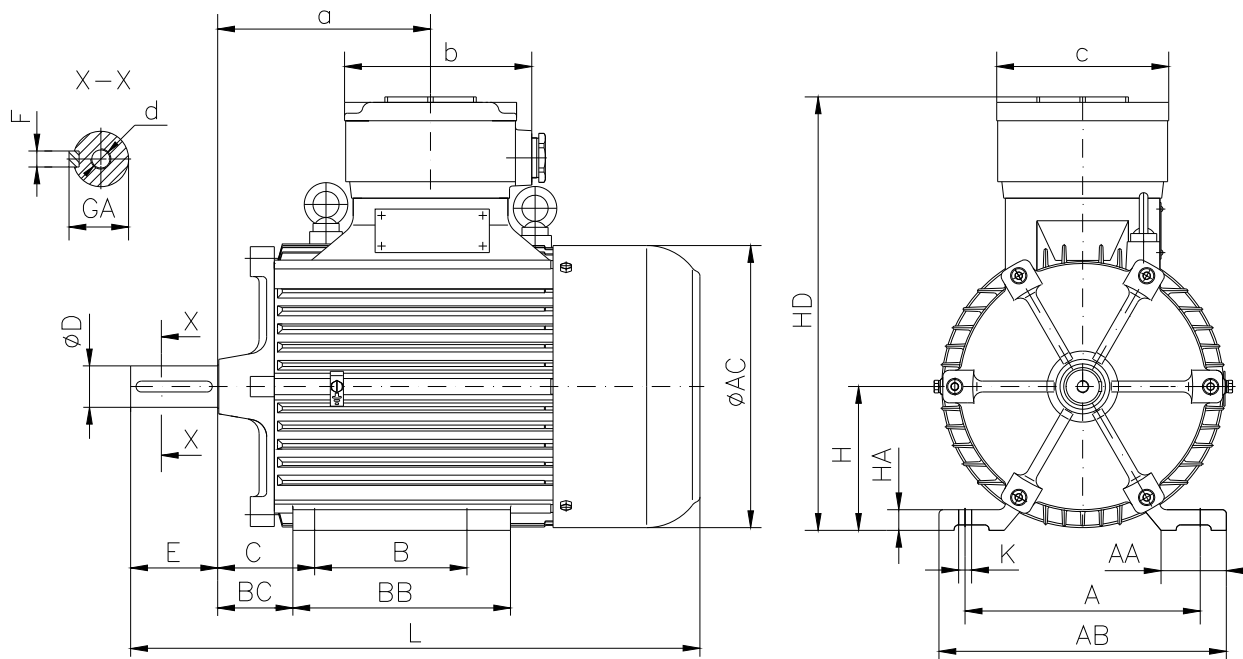


**DATA SHEET**

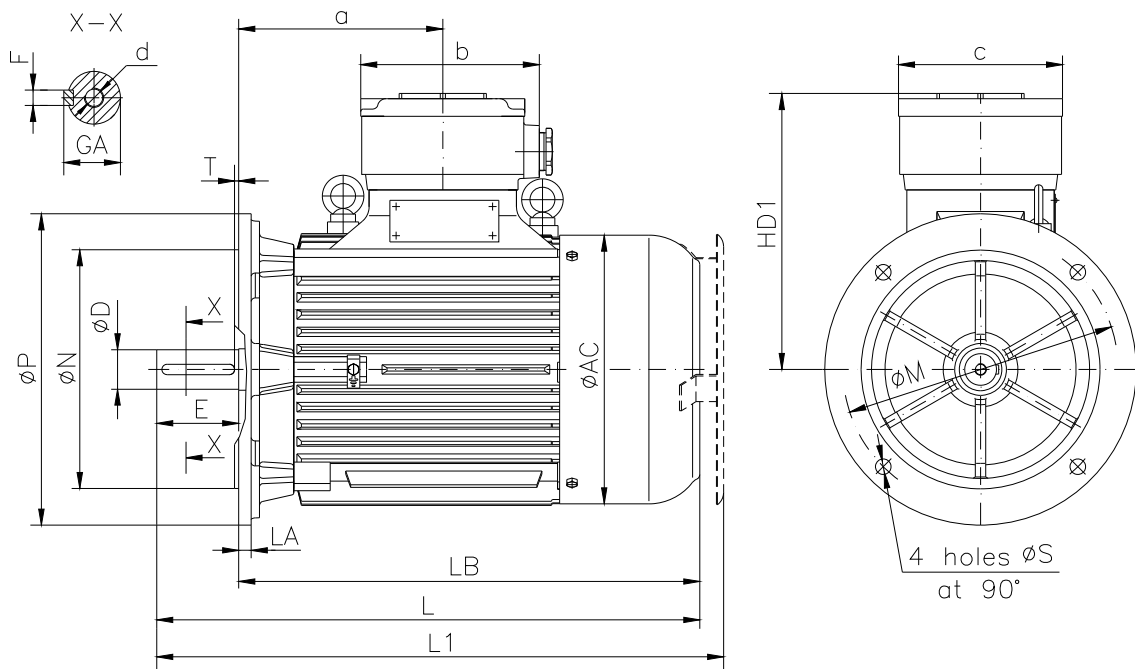
○ Type.....	E2-ASA 160L-4
○ Reference standard.....	IEC 60034-1; 60034-30 EN 60079-0 EN 60079-1 EN 60079-7
○ Rated output.....	15 kW
○ Rated stator voltage.....	400V
○ Stator current at 100% load.....	26.2[A]
○ Number of poles.....	4
○ Rated speed.....	1452 rev/min
○ Rated frequency.....	50 Hz
○ Efficiency at 100%, 75%, 50% load.....	90.9%, 90.1%, 87.8%
○ Power factor at 100% load.....	0.91
○ Break-down torque.....	2.8 x Mn
○ Locked rotor torque.....	2.0 x Mn
○ Locked rotor current.....	7.3 x In
○ Rotor inertia.....	0.10439 kgm <sup>2</sup>
○ Insulation class.....	F
○ Direction of rotation.....	Both(CW&CCW)
○ Protection degree.....	≥IP55
○ Mounting.....	IM B3
○ Cooling method.....	IC 411
○ Max. ambient temperature .....	+ 40°C
○ Altitude.....	1000m
○ Bearing type.....	6310 2Z drive end 6310 2Z non drive end
○ Outline drawing.....	Page 2
○ Vibration level : .....	A (acc.IEC 60034-14 )
○ Noise level .....	acc.IEC 60034-9
○ Cable entries.....	2xM40x1.5
○ Climate execution .....	N

**The overall and mounting dimensions  
IM 1001 (IMB3)**



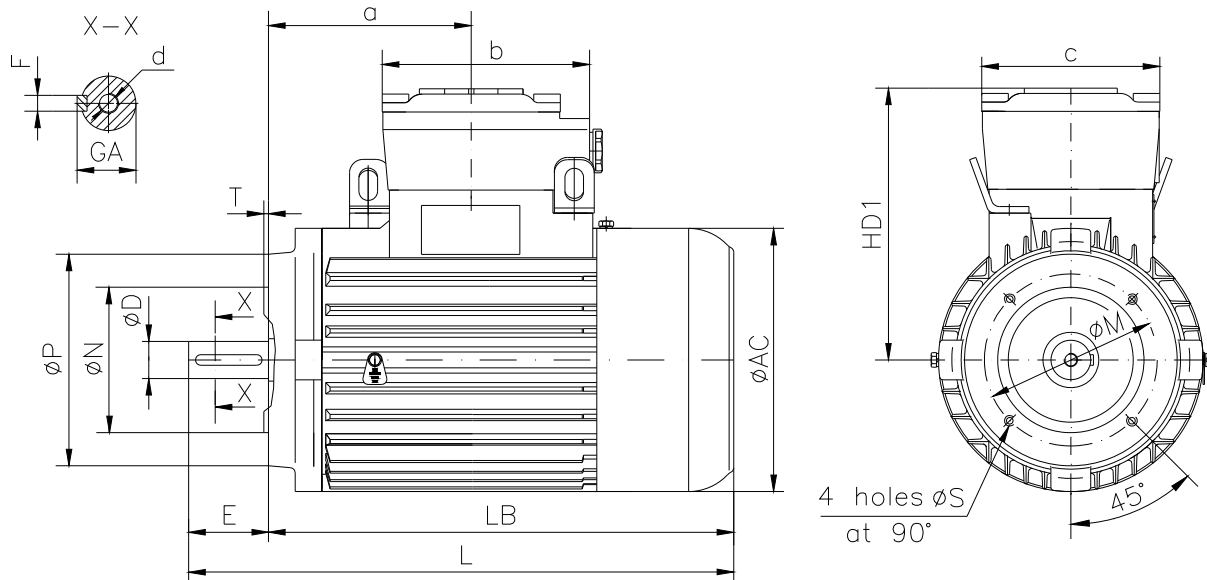
Frame size	Dimensions (mm)																				
	Foot mounting										Shaft extension						HD	AC	L	a	b
A	B	C	H <sub>0.5</sub>	K	AA	AB	BB	BC	HA	D	E	F	GA	d							
160 L-4	254	254	108	160	14.5	80	320	300	80	20	42k6	110	12h9	45	M16	471	317	660	245	210	195

**The overall and mounting dimensions  
IM 3001; IM 3011**



Frame size	Dimensions (mm)																		
	Flange mounting (B5)					Shaft extension					HD1	AC	LA	LB	L	L1	a	b	c
160 L-4	N	M	P	S	T	D	E	F	GA	d									
	250j6	300	350	18.5	5	42k6	110	12h9	45	M16	311	317	14	550	660	715	245	210	195

**The overall and mounting dimensions  
IM 3601**



Frame size	Dimensions (mm)																	
	Flange mounting (B14)						Shaft extension		Fh9	GA	d	AC	HD1	LB	L	a	b	c
160 L-4	Flange	N	M	P	S	T	D	E										
	F215	180j6	215	250	M12	4	42k6	110	12	45	M16	317	311	550	660	245	210	195
	F265	230j6	265	300	M12	4												