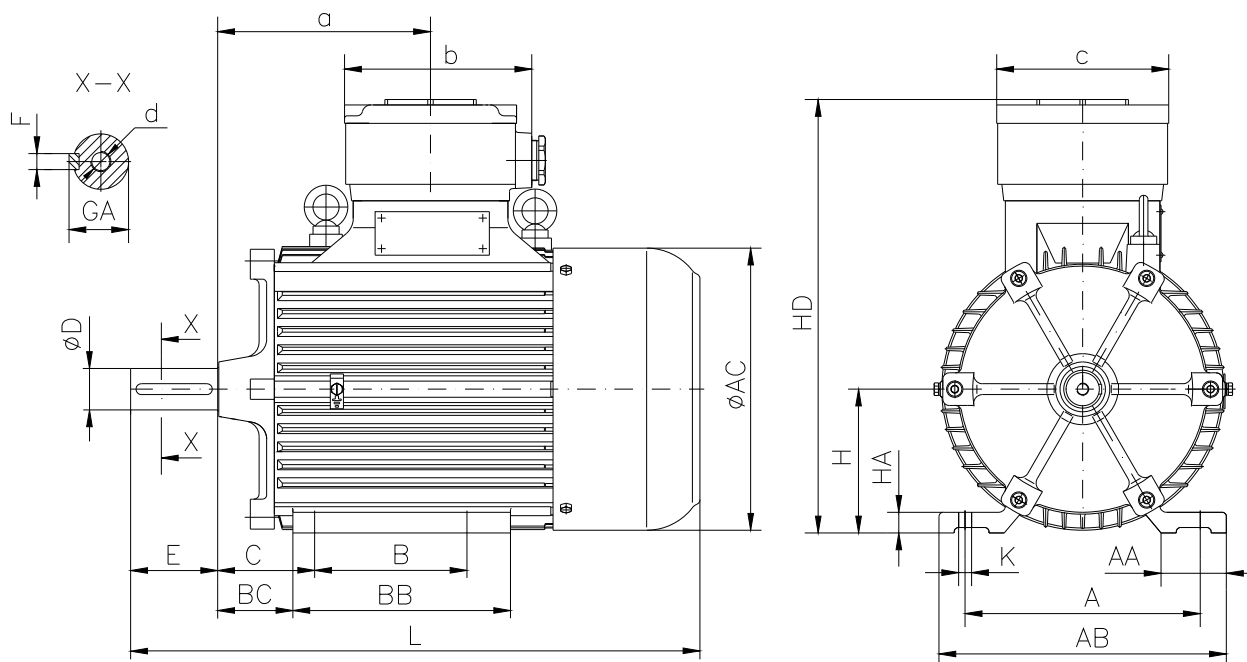


**DATA SHEET**

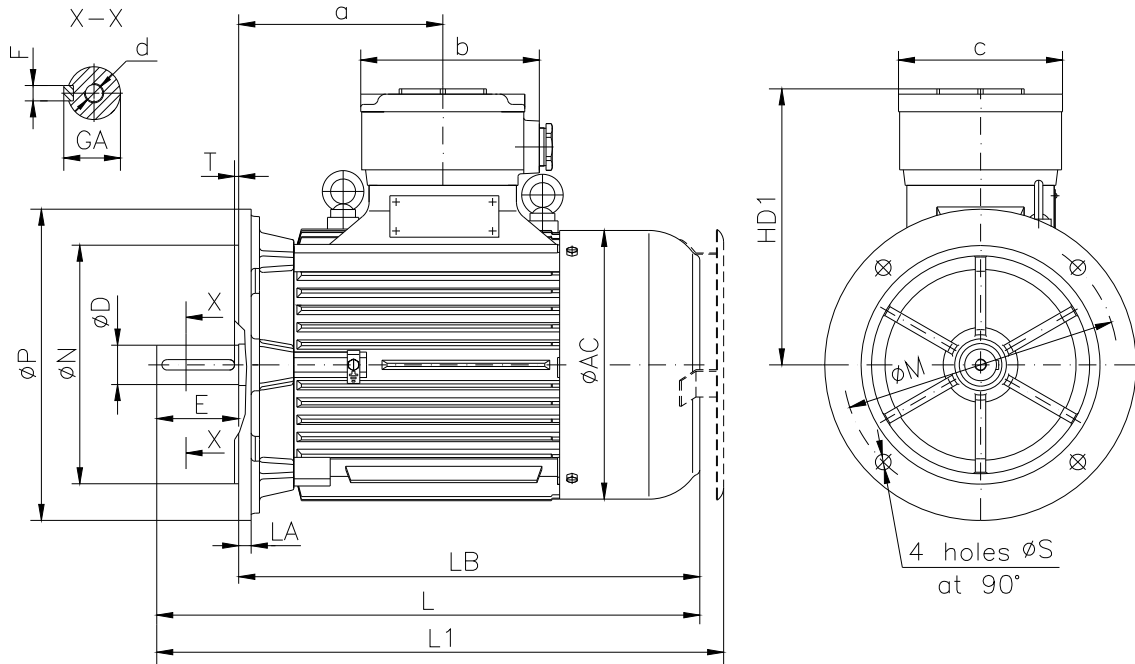
- Type.....E2-ASA 160L-2
- Reference standard.....IEC 60034-1; 60034-30  
EN 60079-0  
EN 60079-1  
EN 60079-7
- Rated output..... 18.5 kW
- Rated stator voltage.....400V
- Stator current at 100% load.....32.1[A]
- Number of poles.....2
- Rated speed.....2925 rev/min
- Rated frequency.....50 Hz
- Efficiency at 100%, 75%, 50% load.....92.4%, 92.0%, 91.2%
- Power factor at 100% load.....0.91
- Break-down torque.....2.5 x Mn
- Locked rotor torque.....2.3 x Mn
- Locked rotor current.....7 x In
- Rotor inertia.....0.063034 kgm<sup>2</sup>
- Insulation class.....F
- Direction of rotation.....Both(CW&CCW)
- Protection degree.....≥IP55
- Mounting.....IM
- Cooling method.....IC 411
- Max. ambient temperature .....+ 40°C
- Altitude.....1000m
- Bearing type.....6310 2Z drive end  
6310 2Z non drive end
- Weight.....170 Kg
- Outline drawing.....Page 2
- Vibration level :.....A (acc.IEC 60034-14 )
- Noise level .....acc.IEC 60034-9
- Cable entries.....2xM40x1.5
- Climate execution .....N

**The overall and mounting dimensions  
IM 1001**



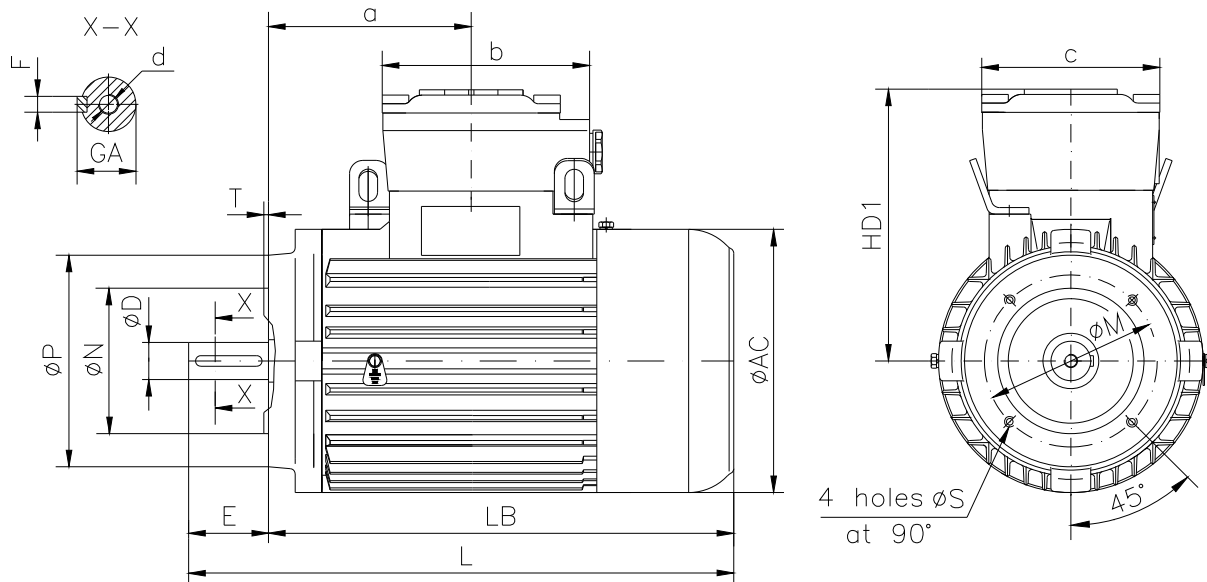
Frame size	Dimensions (mm)																				
	Foot mounting										Shaft extension						HD	AC	L	a	b
A	B	C	H <sub>0.5</sub>	K	AA	AB	BB	BC	HA	D	E	F	GA	d							
160 L-2	254	254	108	160	14.5	80	320	300	80	20	42k6	110	12h9	45	M16	471	317	660	245	210	195

**The overall and mounting dimensions  
IM 3001; IM 3011**



Frame size	Dimensions (mm)																		
	Flange mounting (B5)					Shaft extension					HD1	AC	LA	LB	L	L1	a	b	c
N	M	P	S	T	D	E	F	GA	d										
160 L-2	250j6	300	350	18.5	5	42k6	110	12h9	45	M16	311	317	14	550	660	715	245	210	195

**The overall and mounting dimensions  
IM 3601**



Frame size	Dimensions (mm)																	
	Flange mounting (B14)						Shaft extension		Fh9	GA	d	AC	HD1	LB	L	a	b	c
160 L-2	Flange	N	M	P	S	T	D	E										
	F215	180j6	215	250	M12	4	42k6	110	12	45	M16	317	311	550	660	245	210	195
	F265	230j6	265	300	M12	4												