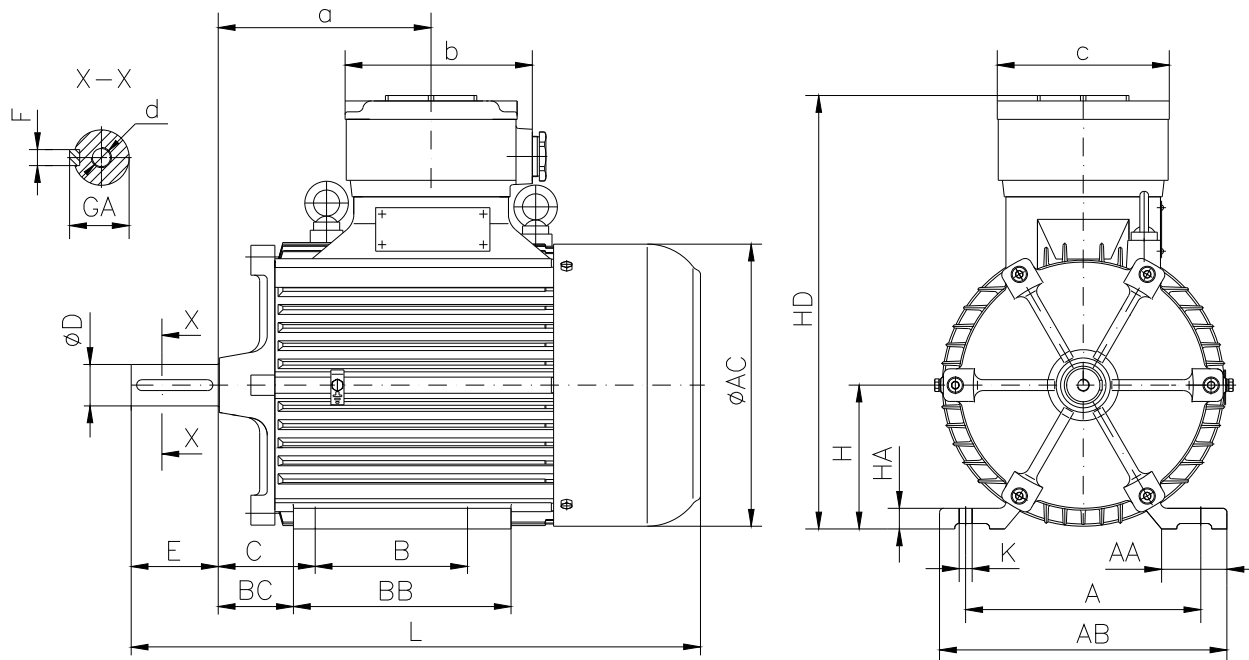


DATA SHEET

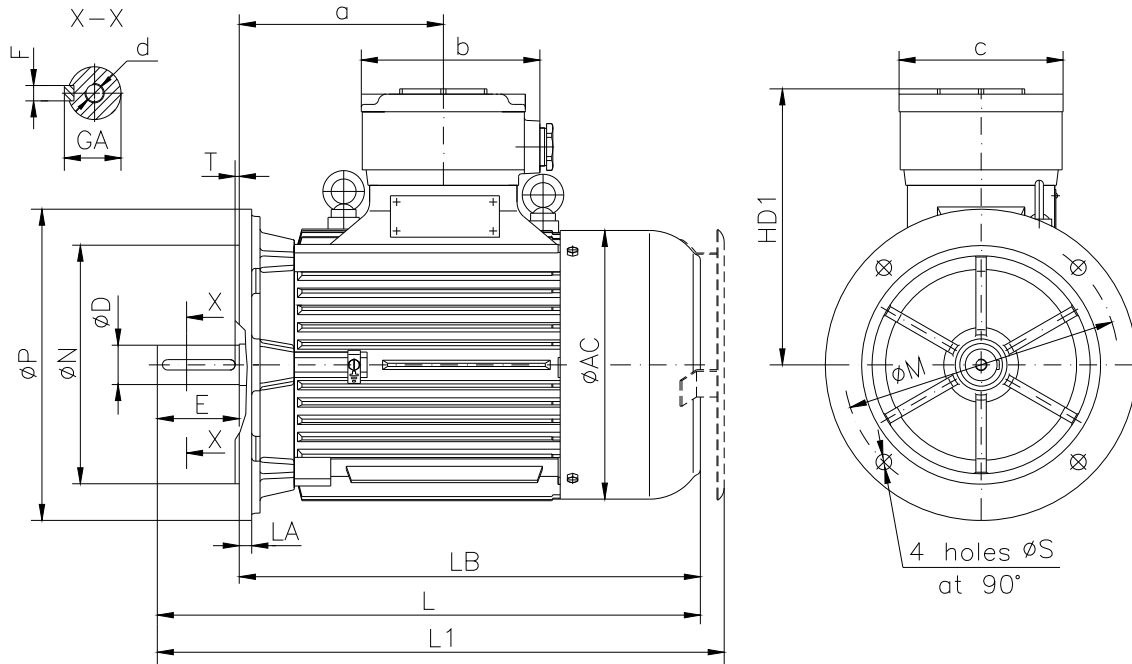
○ Type.....	E2-ASA 132Sb-2
○ Reference standard.....	IEC 60034-1; 60034-30 EN 60079-0 EN 60079-1 EN 60079-7
○ Rated output.....	7.5 kW
○ Rated stator voltage.....	400V
○ Stator current at 100% load.....	14.1[A]
○ Number of poles.....	2
○ Rated speed/	2920 rev/min
○ Rated frequency.....	50 Hz
○ Efficiency at 100%, 75%, 50% load.....	88.1%, 87.8%, 85.5%
○ Power factor at 100% load.....	0.88
○ Break-down torque.....	3.8 x Mn
○ Locked rotor torque.....	3.3 x Mn
○ Locked rotor current.....	7.1 x In
○ Rotor inertia.....	0.026835 kgm ²
○ Insulation class.....	F
○ Direction of rotation.....	Both(CW&CCW)
○ Protection degree.....	≥IP55
○ Mounting.....	IM
○ Cooling method.....	IC 411
○ Max. ambient temperature	+ 40°C
○ Altitude.....	1000m
○ Bearing type.....	6308 2Z drive end 6308 2Z non drive end
○ Weight.....	105 Kg
○ Outline drawing.....	Page 2
○ Vibration level :.....	A (acc.IEC 60034-14)
○ Noise level	acc.IEC 60034-9
○ Cable entries.....	2xM32x1.5
○ Climate execution	N

**The overall and mounting dimensions
IM 1001**



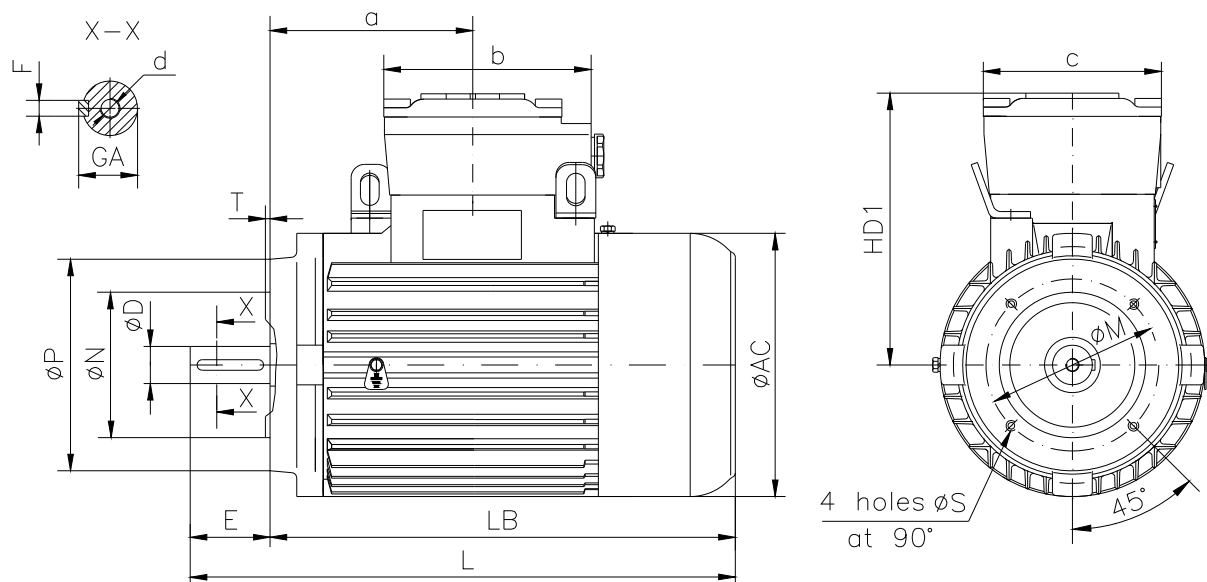
Frame size	Dimensions (mm)																				
	Foot mounting										Shaft extension					HD	AC	L	a	b	c
132 Sb-2	A	B	C	H _{0.5}	K	AA	AB	BB	BC	HA	D	E	F	GA	d						
	216	140	89	132	12	60	264	200	69	19	38k6	80	10h9	41	M12	400	263	653	200	175	160

**The overall and mounting dimensions
IM 3001; IM 3011**



Frame size	Dimensions (mm)											HD1	AC	LA	LB	L	L1	a	b	c
	Flange mounting (B5)					Shaft extension														
	N	M	P	S	T	D	E	F	GA	d										
132 Sb-2	230j6	265	300	14.5	4	38k6	80	10h9	41	M12	268	263	12	573	653	691	200	175	160	

**The overall and mounting dimensions
IM 3601**



Frame size	Dimensions (mm)																	
	Flange mounting (B14)						Shaft extension		Fh9	GA	d	AC	HD1	LB	L	a	b	c
132 Sb-2	Flange	N	M	P	S	T	D	E										
	F165	130j6	165	200	M10	3.5	38k6	80	10	41	M12	263	268	573	653	200	175	160
	F215	180j6	215	250	M12	4												