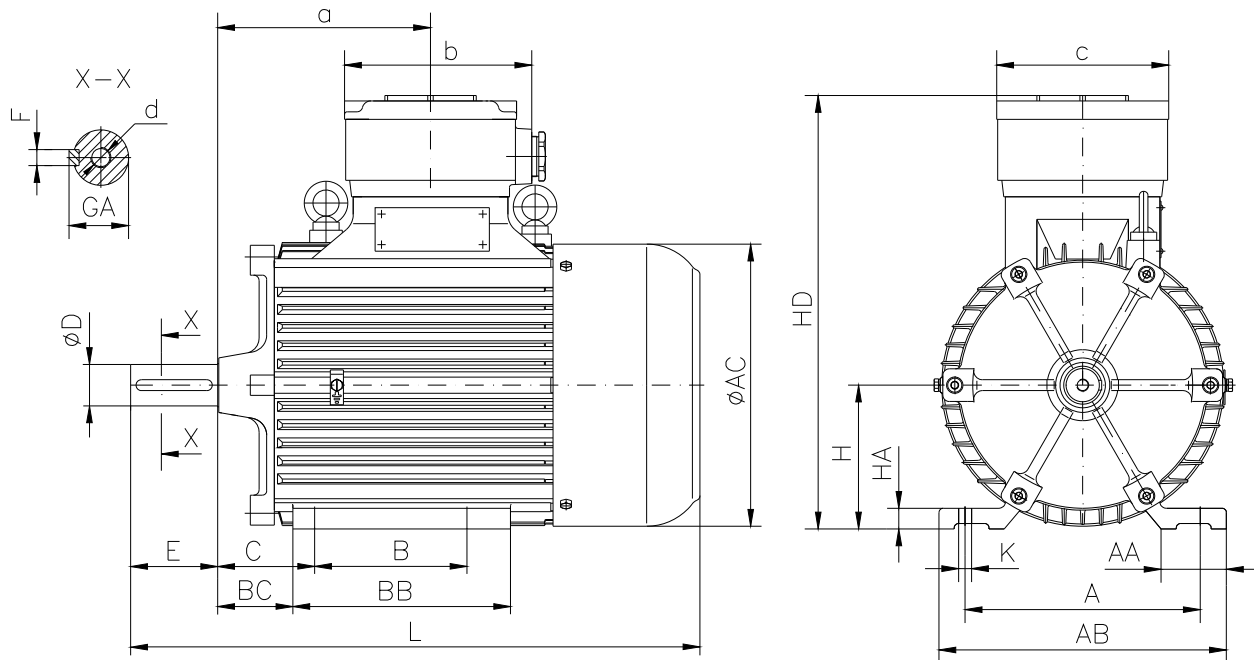


DATA SHEET

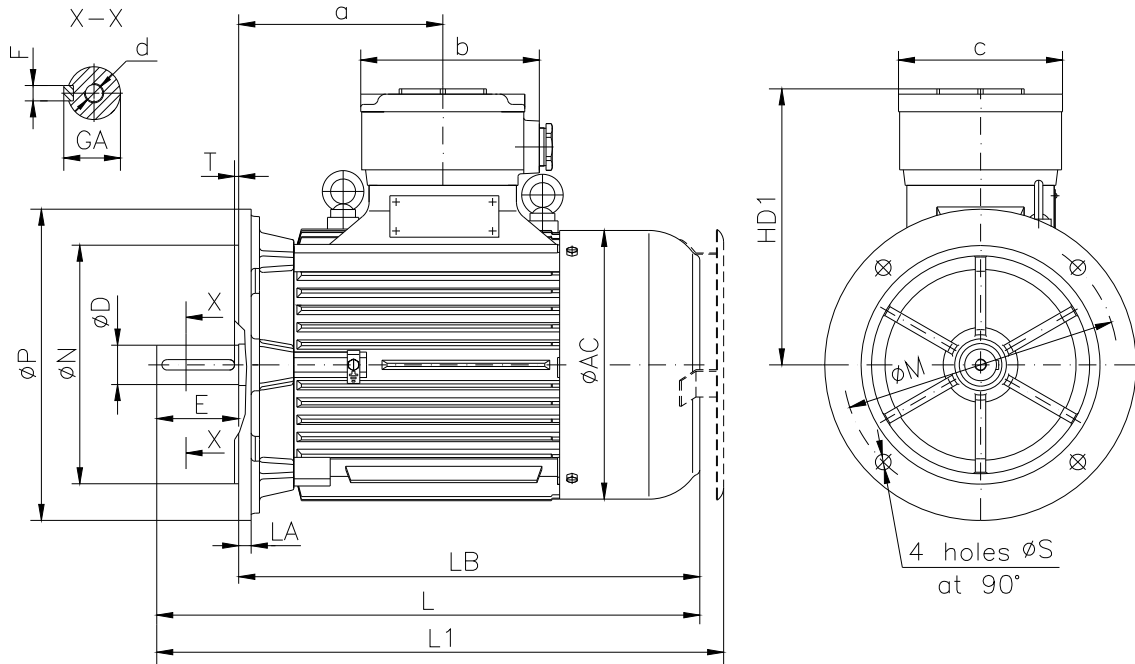
○ Type.....	E2-ASA 132Sa-6
○ Reference standard.....	IEC 60034-1; 60034-30
	EN 60079-0
	EN 60079-1
	EN 60079-7
○ Rated output.....	3 kW
○ Rated stator voltage.....	400V Y
○ Stator current at 100% load	6.69[A]
○ Number of poles.....	6
○ Rated speed.....	962 rev/min
○ Rated frequency.....	50 Hz
○ Efficiency at 100%, 75%, 50% load.....	84.8%, 79.9%, 77.4%
○ Power factor at 100% load.....	0.77
○ Break-down torque.....	2.9 x Mn
○ Locked rotor torque.....	2.2 x Mn
○ Locked rotor current.....	6.5 x In
○ Rotor inertia.....	0.04492 kgm ²
○ Insulation class.....	F
○ Direction of rotation.....	Both(CW&CCW)
○ Protection degree.....	≥IP55
○ Mounting.....	IM
○ Cooling method.....	IC 411
○ Max. ambient temperature	+ 40°C
○ Altitude.....	1000m
○ Bearing type.....	6308 2Z drive end 6308 2Z non drive end
○ Weight.....	96 Kg
○ Outline drawing.....	Page 2
○ Vibration level :.....	A (acc.IEC 60034-14)
○ Noise level	acc.IEC 60034-9
○ Cable entries.....	2xM32x1.5
○ Climate execution	N

**The overall and mounting dimensions
IM 1001**



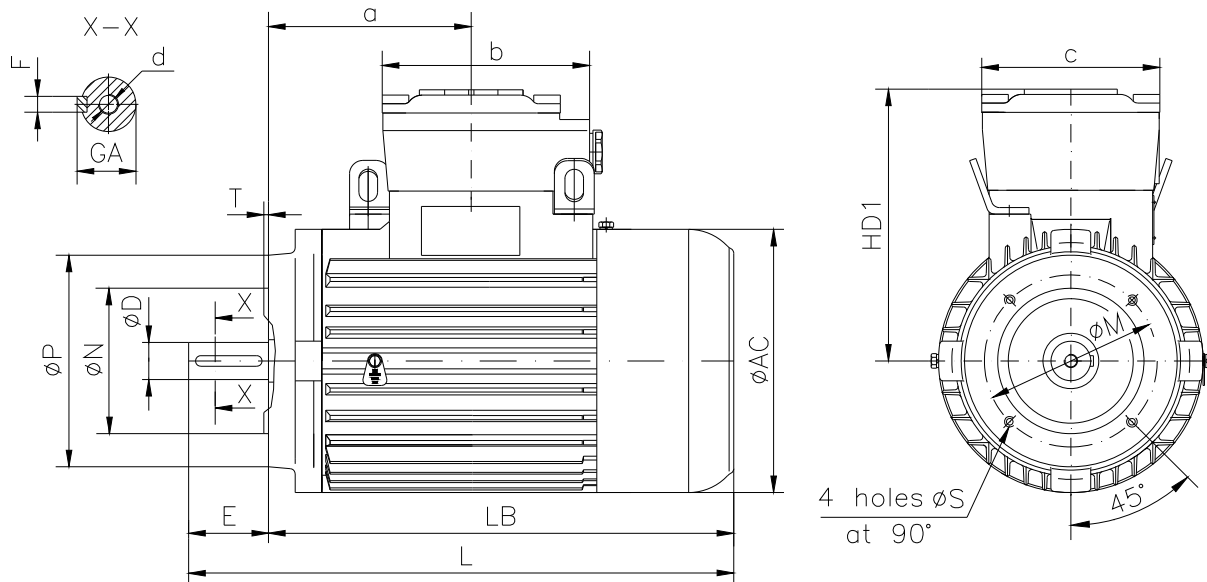
Frame size	Dimensions (mm)																				
	Foot mounting										Shaft extension						HD	AC	L	a	b
A	B	C	H _{0.5}	K	AA	AB	BB	BC	HA	D	E	F	GA	d							
132 Sa-6	216	140	89	132	12	60	264	200	69	19	38k6	80	10h9	41	M12	400	263	606	200	175	160

**The overall and mounting dimensions
IM 3001; IM 3011**



Frame size	Dimensions (mm)																		
	Flange mounting (B5)					Shaft extension					HD1	AC	LA	LB	L	L1	a	b	c
N	M	P	S	T	D	E	F	GA	d										
132 Sa-6	230j6	265	300	14.5	4	38k6	80	10h9	41	M12	268	263	12	526	606	644	200	175	160

**The overall and mounting dimensions
IM 3601**



Frame size	Dimensions (mm)																	
	Flange mounting (B14)						Shaft extension			Fh9	GA	d	AC	HD1	LB	L	a	b
132 Sa-2	Flange	N	M	P	S	T	D	E	10	41	M12	263	268	526	606	200	175	160
	F165	130j6	165	200	M10	3.5												
	F215	180j6	215	250	M12	4												