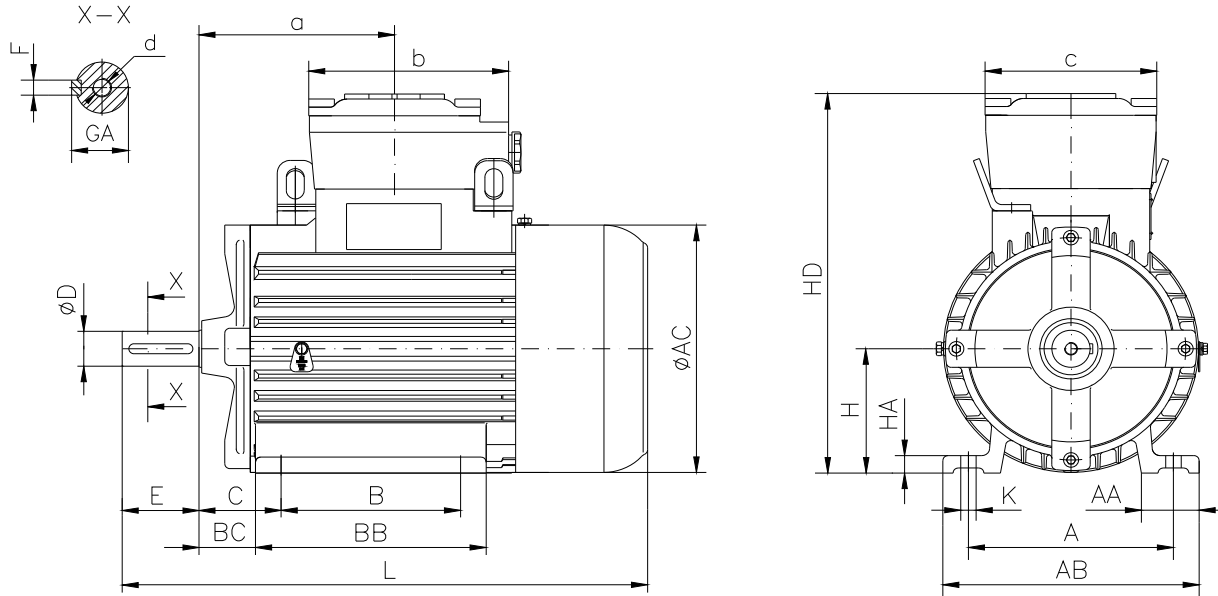


DATA SHEET

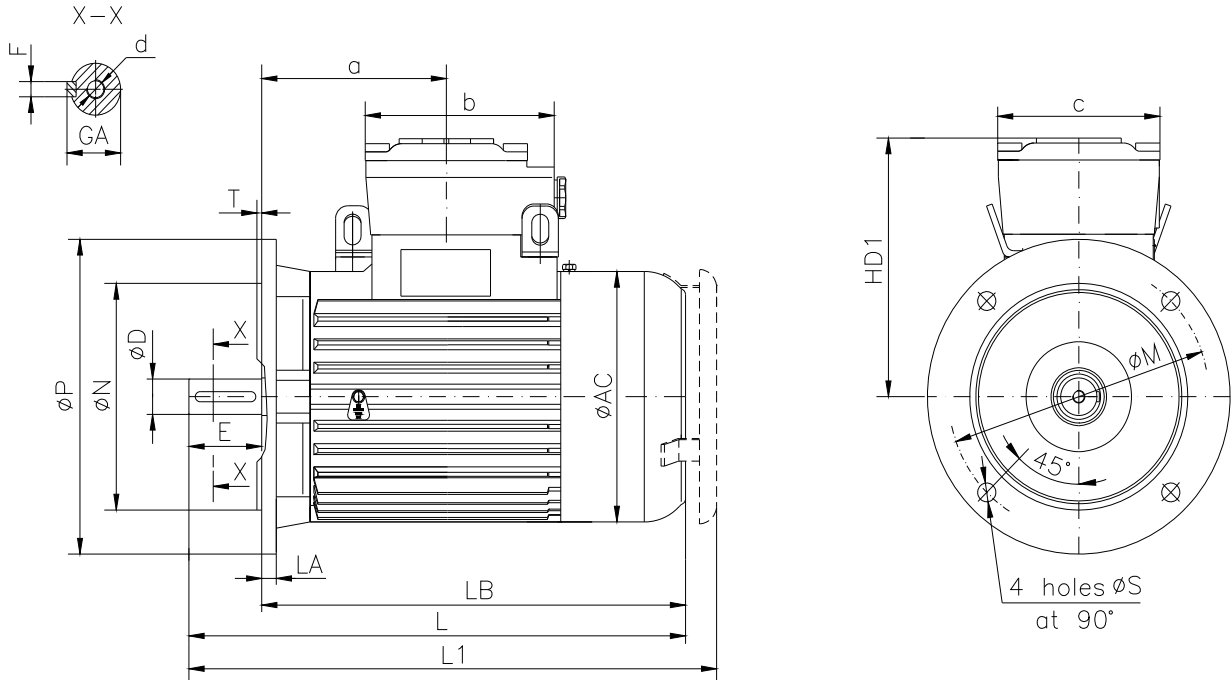
- Type.....E2-ASA 112Mb-6
- Reference standard.....IEC 60034-1; 60034-30
EN 60079-0
EN 60079-1
EN 60079-7
- Rated output..... 2.2 kW
- Rated stator voltage.....400V
- Stator current at 100% load4.71 [A]
- Number of poles.....6
- Rated speed.....955 rev/min
- Rated frequency.....50 Hz
- Efficiency at 100%, 75%, 50% load.....82.9%, 82.7%, 79.5%
- Power factor at 100% load.....0.81
- Break-down torque.....2.1 x Mn
- Locked rotor torque.....2.1 x Mn
- Locked rotor current.....5.8 x In
- Rotor inertia.....0.02696 kgm²
- Insulation class.....F
- Direction of rotation.....Both(CW&CCW)
- Protection degree.....≥IP55
- Mounting.....IM
- Cooling method.....IC 411
- Max. ambient temperature.....+ 40°C
- Altitude.....1000m
- Bearing type.....6307 2Z drive end
6307 2Z non drive end
- Weight.....62 Kg
- Outline drawing.....Page 2
- Vibration level :.....A (acc.IEC 60034-14)
- Noise levelacc.IEC 60034-9
- Cable entries.....2xM32x1.5
- Climate executionN

**The overall and mounting dimensions
IM 1001**



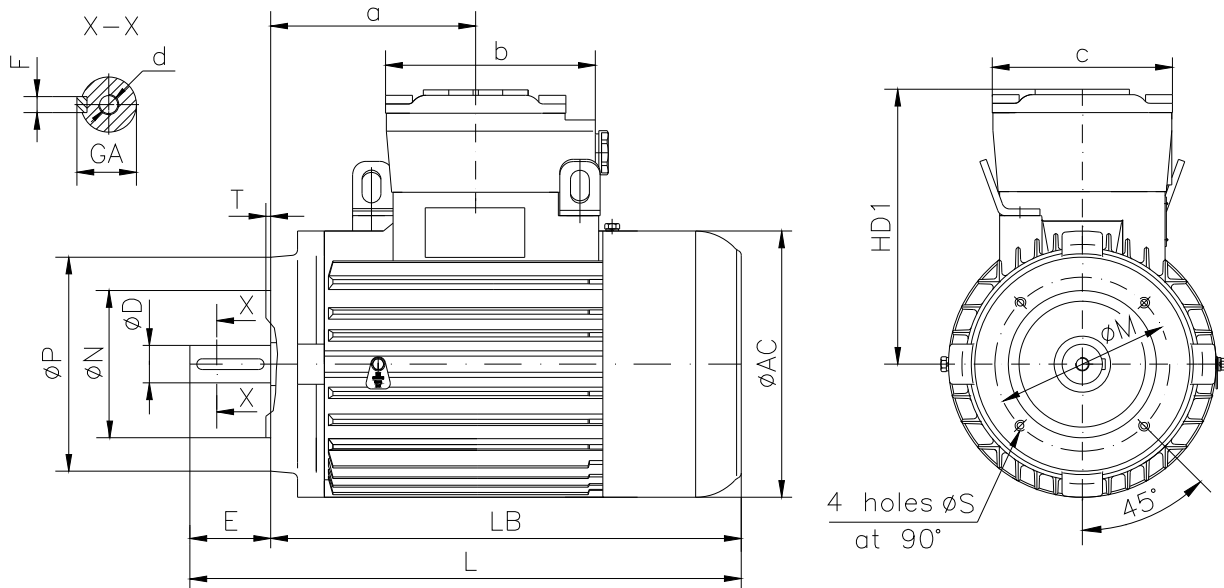
| Frame size | Dimensions (mm) | | | | | | | | | | | | | | | | | | | | |
|------------|-----------------|-----|----|------------------|----|----|-----|-----|----|----|-----------------|----|-----|----|-----|-----|-----|-----|-----|-----|-----|
| | Foot mounting | | | | | | | | | | Shaft extension | | | | | | HD | AC | L | a | b |
| 112 Mb-6 | A | B | C | H _{0.5} | K | AA | AB | BB | BC | HA | D | E | F | GA | d | | | | | | |
| | 190 | 140 | 70 | 112 | 12 | 45 | 224 | 200 | 50 | 15 | 28j6 | 60 | 8h9 | 31 | M10 | 332 | 221 | 480 | 175 | 160 | 135 |

**The overall and mounting dimensions
IM 3001; IM 3011**



| Frame size | Dimensions (mm) | | | | | | | | | | | | | | | | | | |
|------------|----------------------|-----|-----|------|---|-----------------|----|-----|----|-----|-----|-----|----|-----|-----|-----|-----|-----|-----|
| | Flange mounting (B5) | | | | | Shaft extension | | | | | HD1 | AC | LA | LB | L | L1 | a | b | c |
| N | M | P | S | T | D | E | F | GA | d | | | | | | | | | | |
| 112 Mb-6 | 180j6 | 215 | 250 | 14.5 | 4 | 28j6 | 60 | 8h9 | 31 | M10 | 220 | 221 | 12 | 420 | 480 | 498 | 175 | 160 | 135 |

**The overall and mounting dimensions
IM 3601**



| Frame size | Dimensions (mm) | | | | | | | | | | | | | | | | | |
|------------|-----------------------|-------|-----|-----|-----|-----|-----------------|----|-----|----|-----|-----|-----|-----|-----|-----|-----|-----|
| | Flange mounting (B14) | | | | | | Shaft extension | | | | | | | | | | | |
| | Flange | N | M | P | S | T | D | E | Fh9 | GA | d | AC | HD1 | LB | L | a | b | c |
| 112 Mb-6 | F130 | 110j6 | 130 | 160 | M8 | 3.5 | 28j6 | 60 | 8 | 31 | M10 | 221 | 220 | 420 | 480 | 175 | 160 | 135 |
| | F165 | 130j6 | 165 | 200 | M10 | 3.5 | | | | | | | | | | | | |