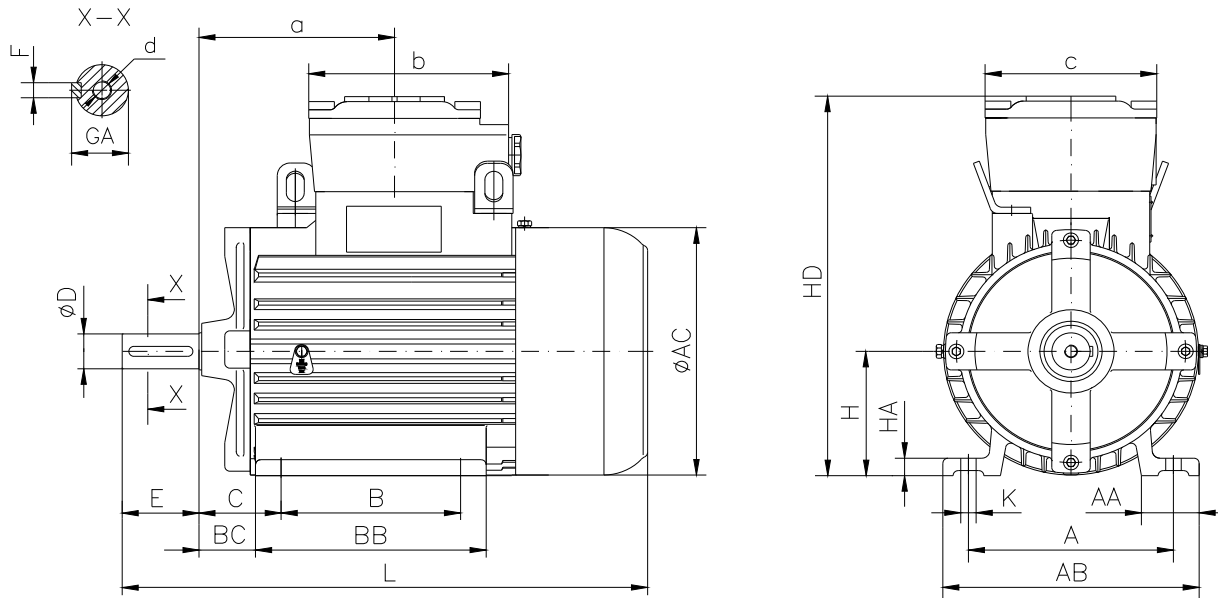


DATA SHEET

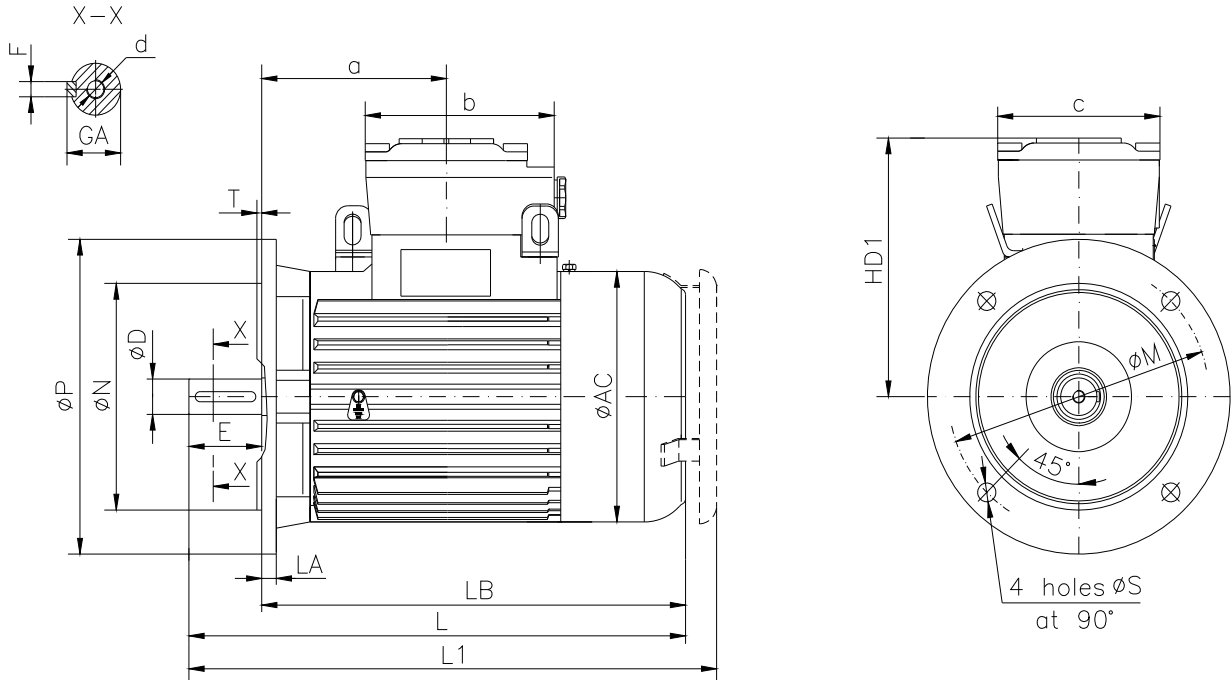
- Type.....E2-ASA 112Ma-2
- Reference standard.....IEC 60034-1; 60034-30
EN 60079-0
EN 60079-1
EN 60079-7
- Rated output..... 4 kW
- Rated stator voltage.....400V
- Stator current at 100% load.....7.4 [A]
- Number of poles.....2
- Rated speed.....2885 rev/min
- Rated frequency.....50 Hz
- Efficiency at 100%, 75%, 50% load.....86.7%, 86.4%, 84.4%
- Power factor at 100% load.....0.91
- Break-down torque.....2.7 x Mn
- Locked rotor torque.....2.7 x Mn
- Locked rotor current.....7.7 x In
- Rotor inertia.....0.009262 kgm²
- Insulation class.....F
- Direction of rotation.....Both(CW&CCW)
- Protection degree.....≥IP55
- Mounting.....IM
- Cooling method.....IC 411
- Max. ambient temperature.....+ 40°C
- Altitude.....1000m
- Bearing type.....6307 2Z drive end
6307 2Z non drive end
- Weight.....62 Kg
- Outline drawing.....Page 2
- Vibration level :.....A (acc.IEC 60034-14)
- Noise levelacc.IEC 60034-9
- Cable entries.....2xM32x1.5
- Climate executionN

**The overall and mounting dimensions
IM 1001**



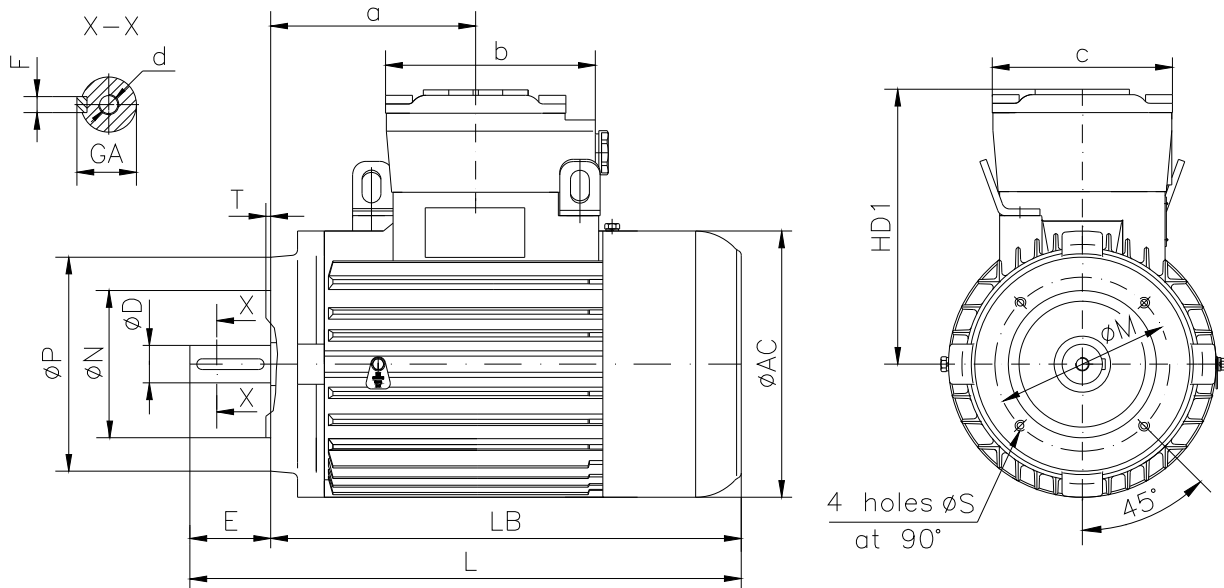
Frame size	Dimensions (mm)																				
	Foot mounting										Shaft extension					HD	AC	L	a	b	c
112 Ma-2	A	B	C	H _{0.5}	K	AA	AB	BB	BC	HA	D	E	F	GA	d						
	190	140	70	112	12	45	224	200	50	15	28j6	60	8h9	31	M10	332	221	454	175	160	135

**The overall and mounting dimensions
IM 3001; IM 3011**



Frame size	Dimensions (mm)																		
	Flange mounting (B5)					Shaft extension					HD1	AC	LA	LB	L	L1	a	b	c
N	M	P	S	T	D	E	F	GA	d										
112 Ma-2	N	M	P	S	T	D	E	F	GA	d	HD1	AC	LA	LB	L	L1	a	b	c
	180j6	215	250	14.5	4	28j6	60	8h9	31	M10	220	221	12	394	454	472	175	160	135

**The overall and mounting dimensions
IM 3601**



Frame size	Dimensions (mm)																	
	Flange mounting (B14)						Shaft extension											
	Flange	N	M	P	S	T	D	E	Fh9	GA	d	AC	HD1	LB	L	a	b	c
112 Ma-2	F130	110j6	130	160	M8	3.5	28j6	60	8	31	M10	221	220	394	454	175	160	135
	F165	130j6	165	200	M10	3.5												