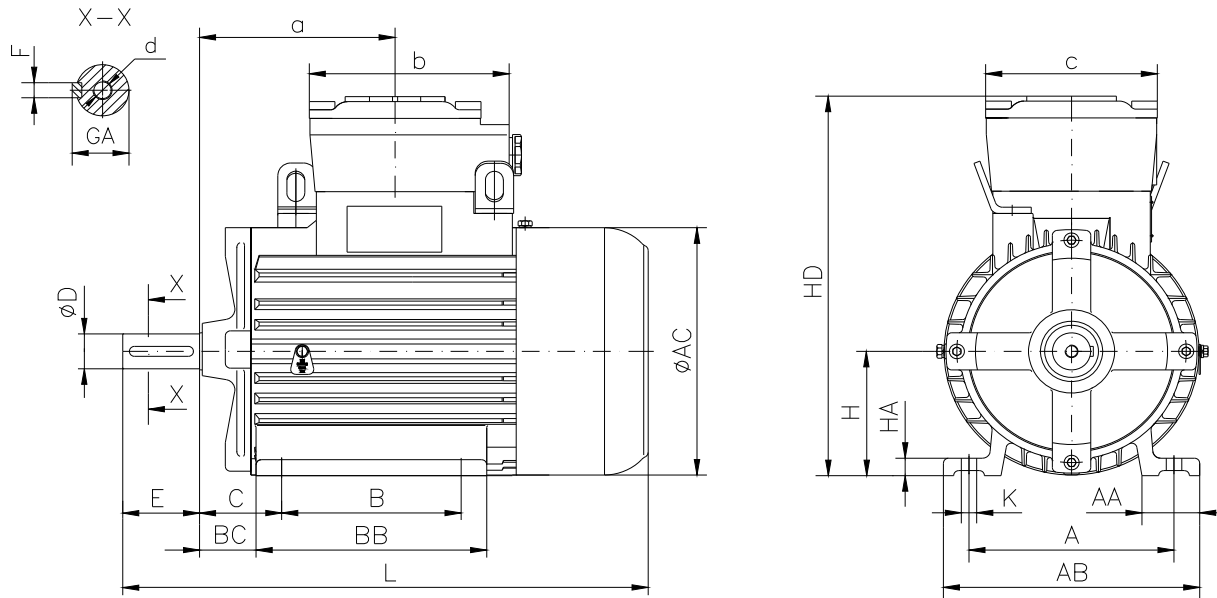


DATA SHEET

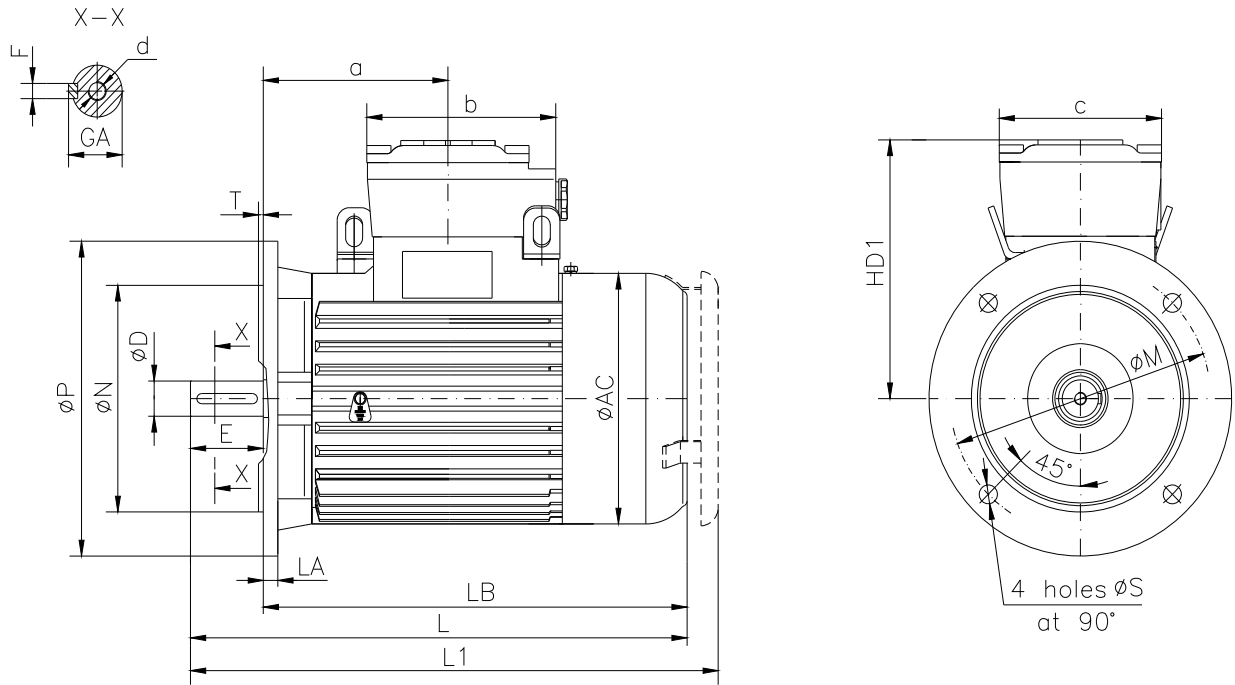
- Type.....E2-ASA 100Lb-6
- Reference standard.....IEC 60034-1; 60034-30
EN 60079-0
EN 60079-1
EN 60079-7
- Rated output..... 1.5 kW
- Rated stator voltage.....400V
- Stator current at 100% load.....3.68[A]
- Number of poles.....6
- Rated speed.....965 rev/min
- Rated frequency.....50 Hz
- Efficiency at 100%, 75%, 50% load.....80.4%, 79.0%, 74.8%
- Power factor at 100% load.....0.73
- Break-down torque.....2.2 x Mn
- Locked rotor torque.....2.2 x Mn
- Locked rotor current.....5.7 x In
- Rotor inertia.....0.01735 kgm²
- Insulation class.....F
- Direction of rotation.....Both(CW&CCW)
- Protection degree.....≥IP55
- Mounting.....IM
- Cooling method.....IC 411
- Max. ambient temperature.....+ 40°C
- Altitude.....1000m
- Bearing type.....6306 2Z drive end
6306 2Z non drive end
- Weight.....51 Kg
- Outline drawing.....Page 2
- Vibration level :.....A (acc.IEC 60034-14)
- Noise levelacc.IEC 60034-9
- Cable entries.....2xM32x1.5
- Climate executionN

**The overall and mounting dimensions
IM 1001**



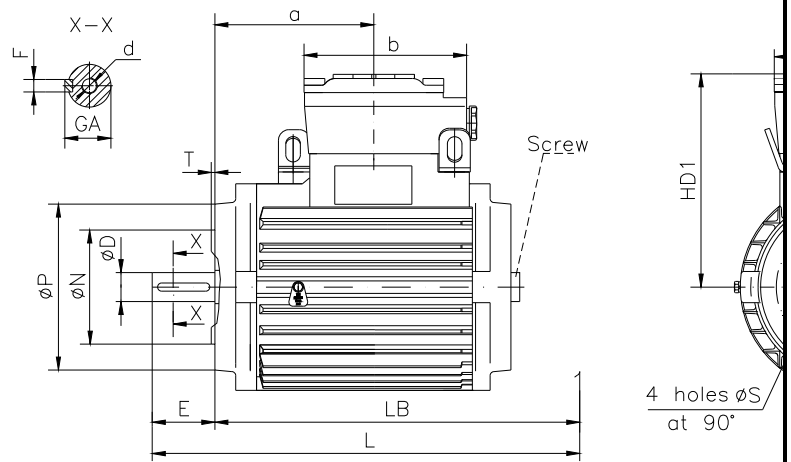
Frame size	Dimensions (mm)																				
	Foot mounting										Shaft extension					HD	AC	L	a	b	c
100 Lb-6	A	B	C	H _{0.5}	K	AA	AB	BB	BC	HA	D	E	F	GA	d						
	160	140	63	100	12	45	200	220	43	14	28j6	60	8h9	31	M10	307	199	465	165	160	135

**The overall and mounting dimensions
IM 3001; IM 3011**



Frame size	Dimensions (mm)											HD1	AC	LA	LB	L	L1	a	b	c
	Flange mounting (B5)					Shaft extension														
100 Lb-6	N	M	P	S	T	D	E	F	GA	d										
	180j6	215	250	14.5	4	28j6	60	8h9	31	M10	207	199	12	405	465	491	165	160	135	

**The overall and mounting dimensions
IM 3601**



Frame size	Dimensions (mm)																	
	Flange mounting (B14)						Shaft extension		Fh9	GA	d	AC	HD1	LB	L	a	b	c
100 Lb-6	Flange	N	M	P	S	T	D	E										
	F130	110j6	130	160	M8	3.5	28j6	60	8	31	M10	199	207	405	465	165	160	135
	F165	130j6	165	200	M10	3.5												