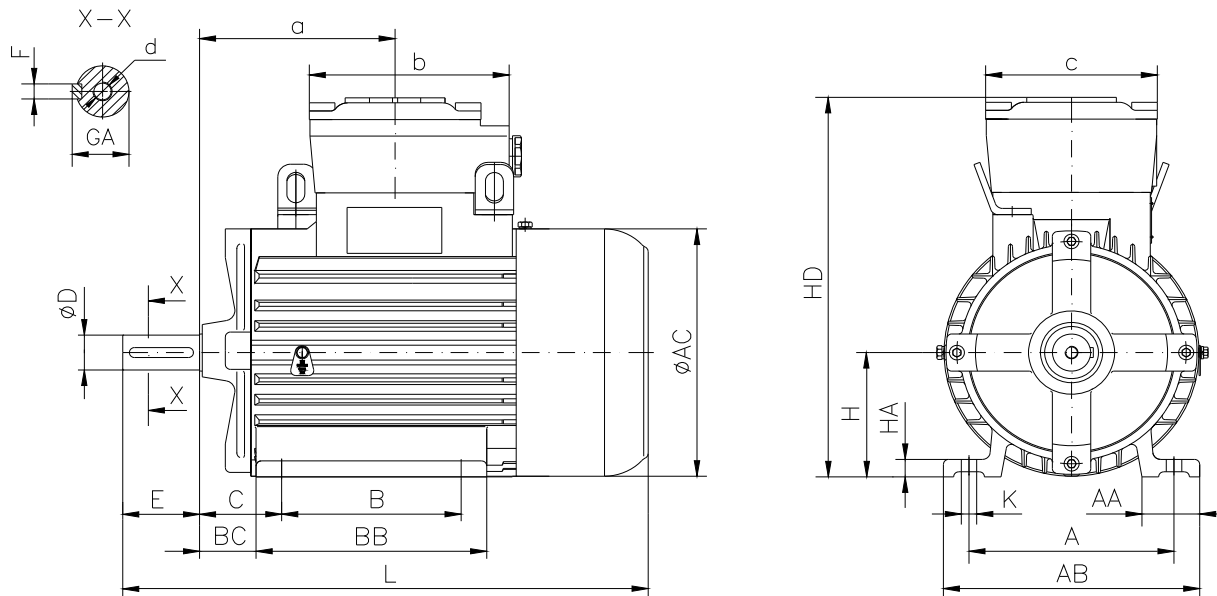


**DATA SHEET**

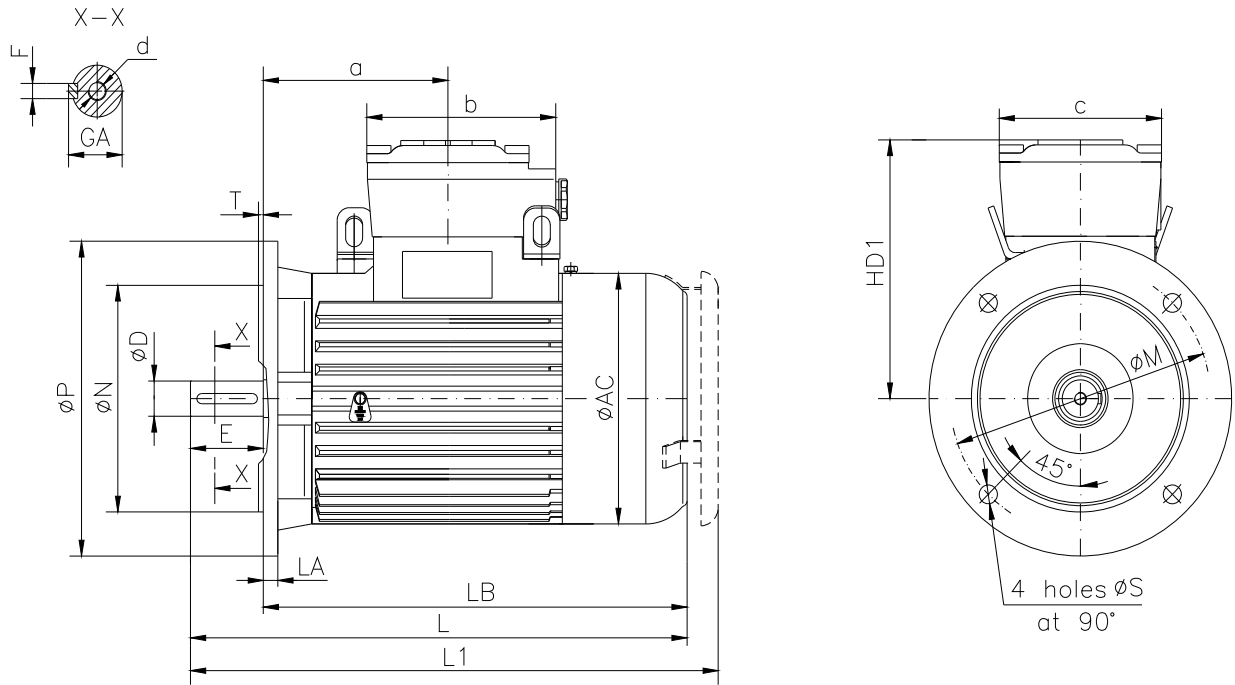
○ Type.....	E2-ASA 100Lb-4
○ Reference standard.....	IEC 60034-1; 60034-30 EN 60079-0 EN 60079-1 EN 60079-7
○ Rated output.....	3 kW
○ Rated stator voltage.....	400V
○ Stator current at 100% load .....	6.64 [A]
○ Number of poles.....	4
○ Rated speed.....	1437 rev/min
○ Rated frequency.....	50 Hz
○ Efficiency at 100%, 75%, 50% load.....	85.7%, 86.0%, 83.7%
○ Power factor at 100% load.....	0.76
○ Break-down torque.....	3.2 x Mn
○ Locked rotor torque.....	2.7 x Mn
○ Locked rotor current.....	5.6 x In
○ Rotor inertia.....	0.01187 kgm <sup>2</sup>
○ Insulation class.....	F
○ Direction of rotation.....	Both(CW&CCW)
○ Protection degree.....	≥IP55
○ Mounting.....	IM
○ Cooling method.....	IC 411
○ Max. ambient temperature.....	+40°C
○ Altitude.....	1000m
○ Bearing type.....	6306 2Z drive end 6306 2Z non drive end
○ Weight.....	59 Kg
○ Outline drawing.....	Page 2
○ Vibration level :.....	A (acc.IEC 60034-14 )
○ Noise level .....	acc.IEC 60034-9
○ Cable entries.....	2xM32x1.5
○ Min and max admissible supply cable diameter.....	9.5-18.5mm
○ Climate execution .....	N

**The overall and mounting dimensions  
IM 1001**



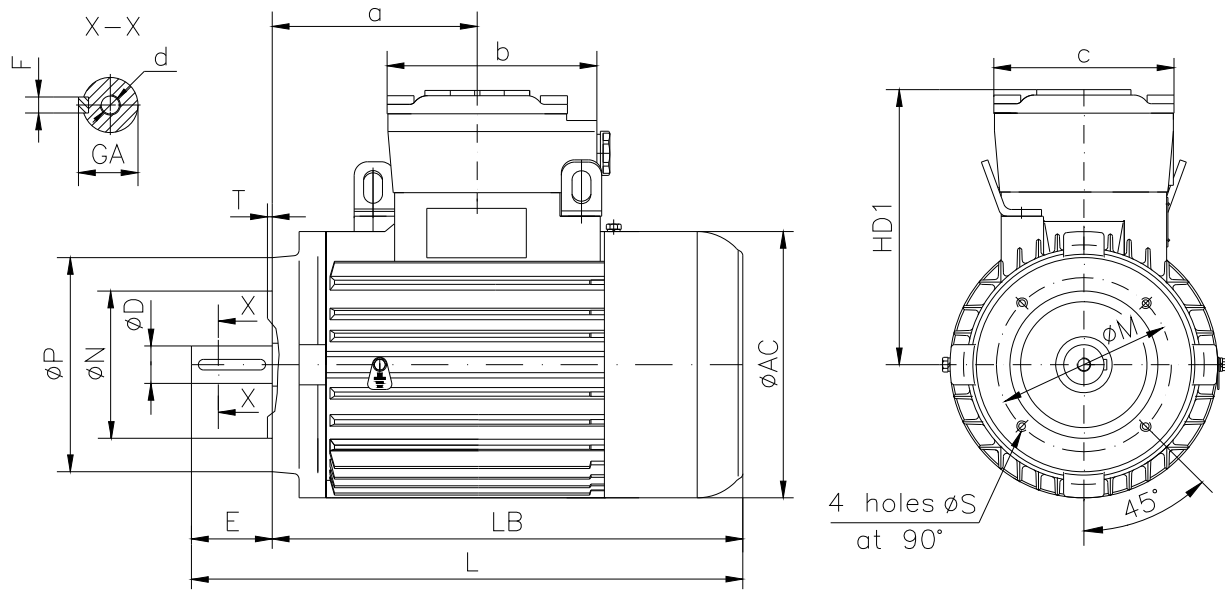
Frame size	Dimensions (mm)															HD	AC	L	a	b	c
	Foot mounting										Shaft extension										
100 Lb-4	A	B	C	$H_{0.5}$	K	AA	AB	BB	BC	HA	D	E	F	GA	d						
	160	140	63	100	12	45	200	220	43	14	28j6	60	8h9	31	M10	307	199	465	165	160	135

**The overall and mounting dimensions  
IM 3001; IM 3011**



Frame size	Dimensions (mm)											HD1	AC	LA	LB	L	L1	a	b	c
	Flange mounting (B5)					Shaft extension														
100 Lb-4	N	M	P	S	T	D	E	F	GA	d										
	180j6	215	250	14.5	4	28j6	60	8h9	31	M10	207	199	12	405	465	491	165	160	135	

**The overall and mounting dimensions  
IM 3601**



Frame size	Dimensions (mm)																	
	Flange mounting (B14)						Shaft extension		Fh9	GA	d	AC	HD1	LB	L	a	b	c
100 Lb-4	Flange	N	M	P	S	T	D	E										
	F130	110j6	130	160	M8	3.5	28j6	60	8	31	M10	199	207	405	465	165	160	135
	F165	130j6	165	200	M10	3.5												