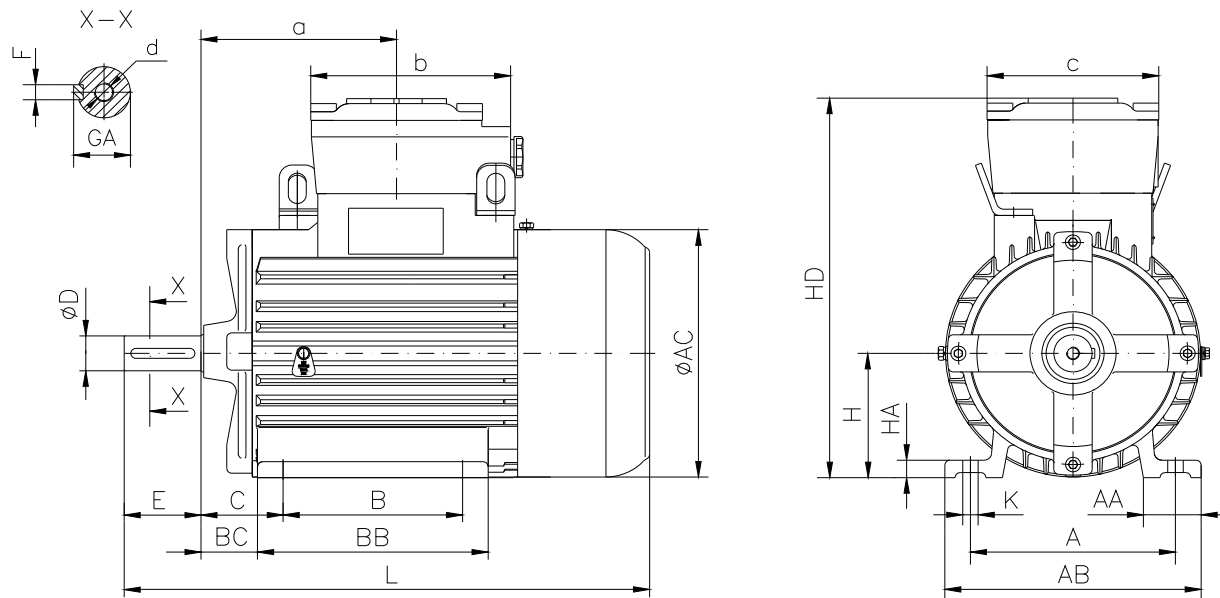


**DATA SHEET**

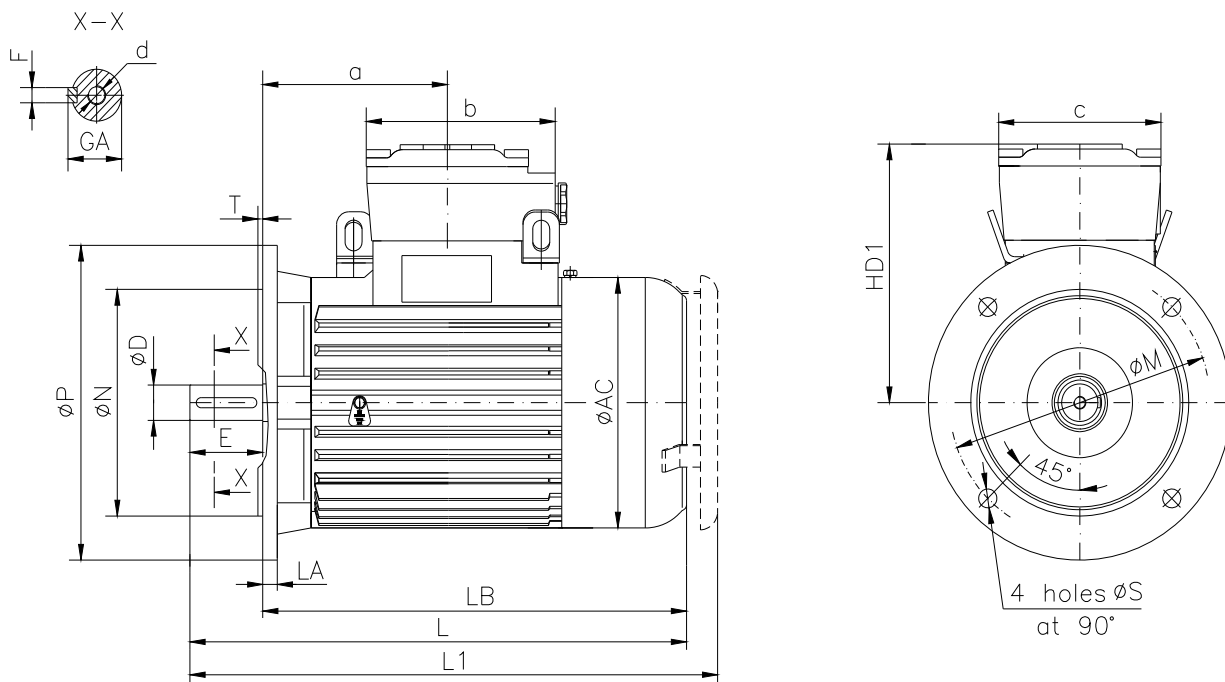
○ Type.....	ASA 90S-4
○ Reference standard.....	IEC 60034-1 EN 60079-0 EN 60079-1 EN 60079-7
○ Rated output.....	1.1 kW
○ Rated stator voltage.....	400V
○ Stator current at 100% load.....	2.76[A]
○ Number of poles.....	4
○ Rated speed.....	1407 rev/min
○ Rated frequency.....	50 Hz
○ Efficiency at 100% load.....	76.8%
○ Power factor at 100% load.....	0.75
○ Break-down torque.....	2.6 x Mn
○ Locked rotor torque.....	2.7 x Mn
○ Locked rotor current.....	4.7 x In
○ Rotor inertia.....	0.003833 kgm <sup>2</sup>
○ Insulation class.....	F
○ Direction of rotation.....	Both(CW&CCW)
○ Protection degree.....	≥IP55
○ Mounting.....	IM
○ Cooling method.....	IC 411
○ Max. ambient temperature.....	+40°C
○ Altitude.....	1000m
○ Bearing type.....	6305 2Z drive end 6305 2Z non drive end
○ Weight.....	29 Kg
○ Outline drawing.....	Page 2
○ Vibration level :.....	A (acc.IEC 60034-14 )
○ Noise level.....	acc.IEC 60034-9
○ Cable entries.....	1xM25x1.5
○ Climate execution.....	N

**The overall and mounting dimensions  
IM 1001**



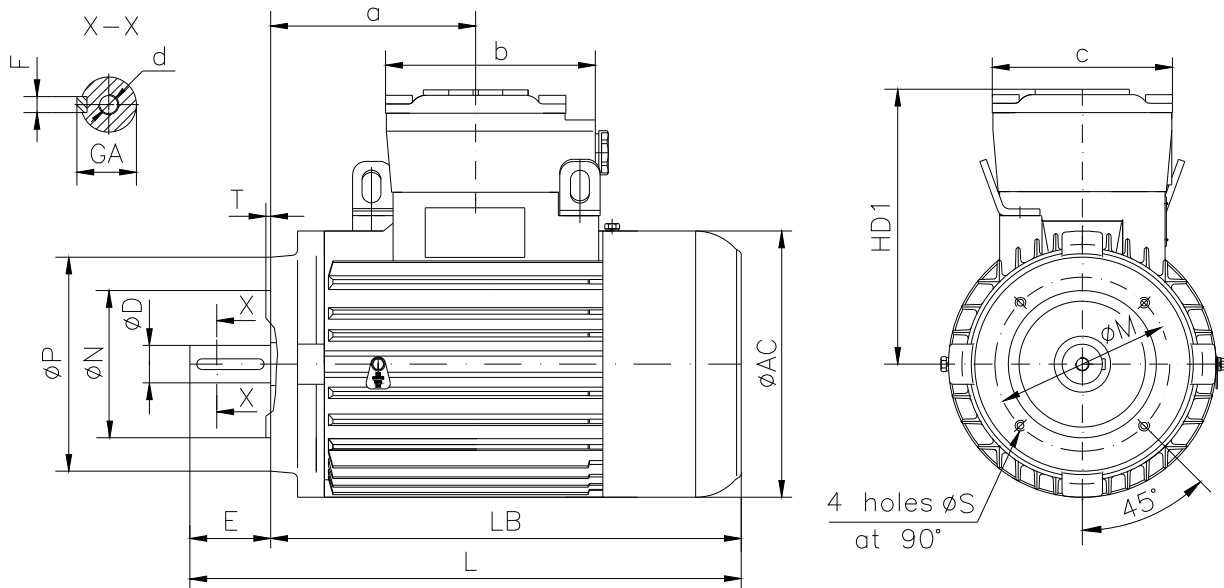
Frame size	Dimensions (mm)																				
	Foot mounting										Shaft extension					HD	AC	L	a	b	c
90S-4	A	B	C	H <sub>0.5</sub>	K	AA	AB	BB	BC	HA	D	E	F	GA	d						
	140	100	56	90	10	40	180	147	39.5	13	24j6	50	8h9	27	M8	272	177	361	140	125	120

**The overall and mounting dimensions  
IM 3001; IM 3011**



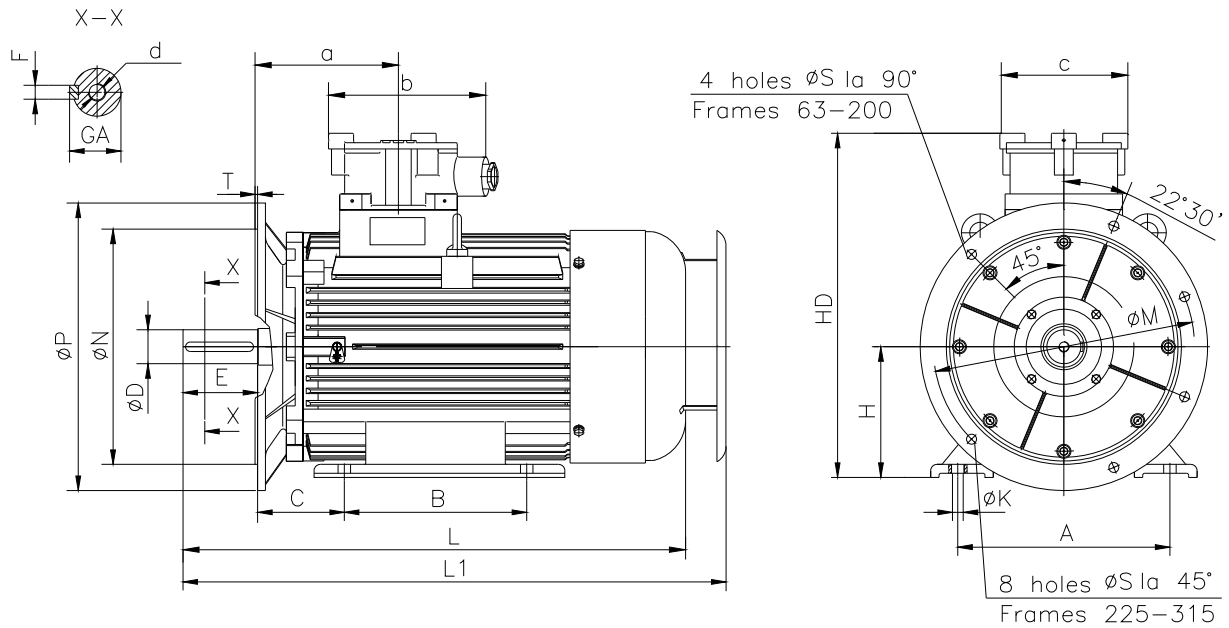
Frame size	Dimensions (mm)																		
	Flange mounting (B5)					Shaft extension					HD1	AC	LA	LB	L	L1	a	b	c
N	M	P	S	T	D	E	F	GA	d										
90S-4	130j6	165	200	12	3.5	24j6	50	8h9	27	M8	182	177	10	311	361	392	140	125	120

**The overall and mounting dimensions  
IM 3601**



Frame size	Flange	Dimensions (mm)													
		Flange mounting (B14)					Shaft extension		HD1	AC	LB	L	a	b	c
N	M	P	S	T	D	E									
90S-4	F115	95j6	115	140	M8	3	24j6	50	182	177	311	361	140	125	120
	F130	110j6	130	160	M8	3.5									

**The overall and mounting dimensions  
IM 2001**



Frame size	Dimensions (mm)																				
	Foot mounting					Flange mounting					Shaft extension					HD	L	L1	a	b	c
A	B	C	H <sub>0,5</sub>	K	N	M	P	S	T	D	E	F	GA	d							
90S-4	140	100	56	90	10	130j6	165	200	12	3.5	24j6	50	8h9	27	M8	272	361	392	140	125	120