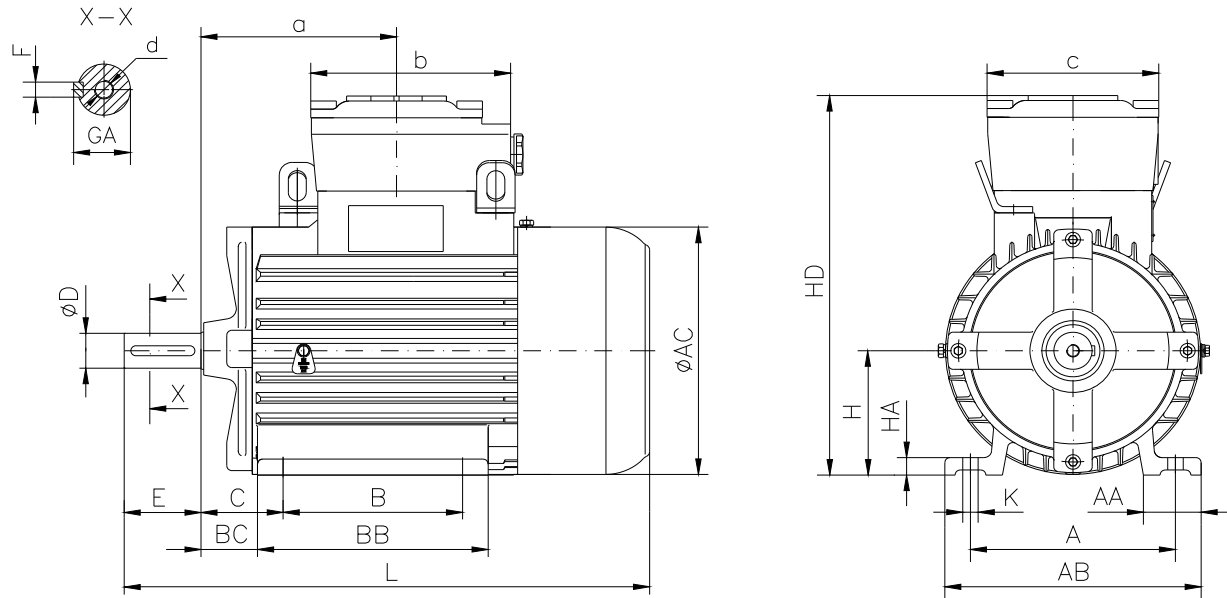


**DATA SHEET**

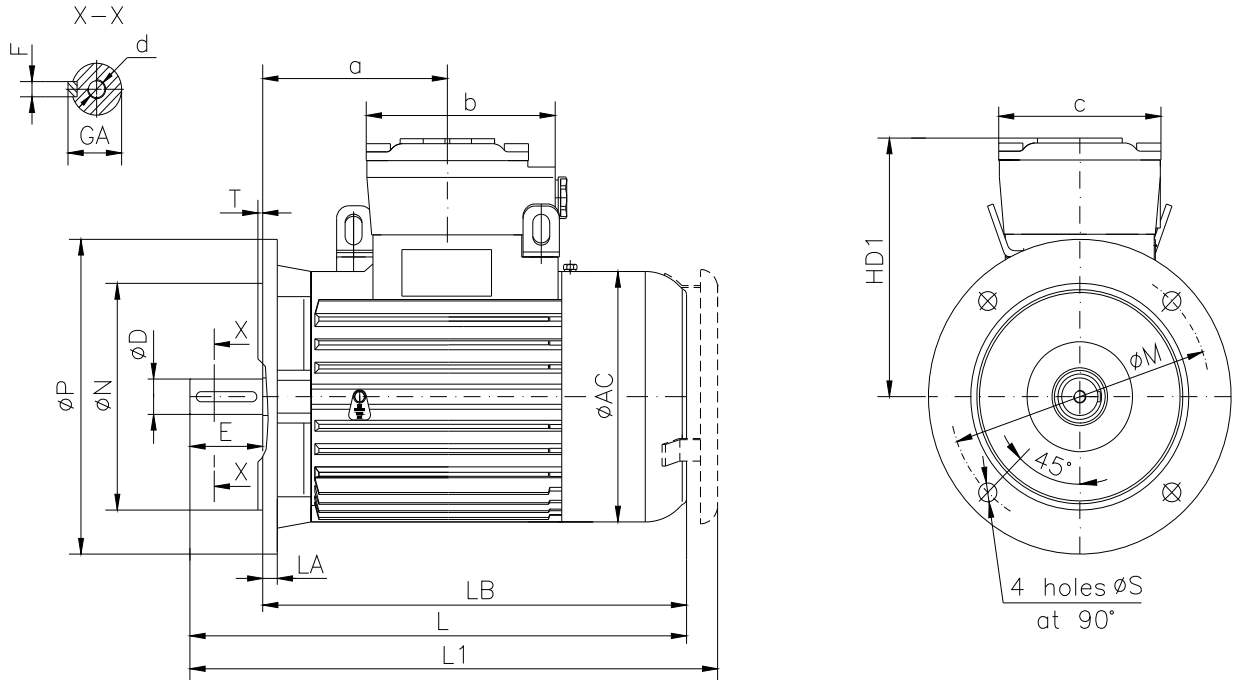
○ Type.....	ASA 71a-2
○ Reference standard.....	IEC 60034-1 EN 60079-0 EN 60079-1
○ Rated output.....	0.37 kW
○ Rated stator voltage.....	400V
○ Stator current at 100% load.....	0.94 [A]
○ Number of poles.....	2
○ Rated speed.....	2844 rev/min
○ Rated frequency.....	50 Hz
○ Efficiency at 100% load.....	71.2%
○ Power factor at 100% load.....	0.8
○ Break-down torque.....	2.4 x Mn
○ Locked rotor torque.....	2.4 x Mn
○ Locked rotor current.....	3.4 x In
○ Rotor inertia.....	0.000618 kgm <sup>2</sup>
○ Insulation class.....	F
○ Direction of rotation.....	Both(CW&CCW)
○ Protection degree.....	≥IP55
○ Mounting.....	IM
○ Cooling method.....	IC 411
○ Max. ambient temperature.....	+40°C
○ Altitude.....	1000m
○ Bearing type.....	6203 2Z drive end 6203 2Z non drive end
○ Weight.....	17 Kg
○ Outline drawing.....	Page 2
○ Vibration level :.....	A (acc.IEC 60034-14 )
○ Noise level .....	acc.IEC 60034-9
○ Cable entries.....	1xM25x1.5
○ Climate execution .....	N

**The overall and mounting dimensions  
IM 1001**



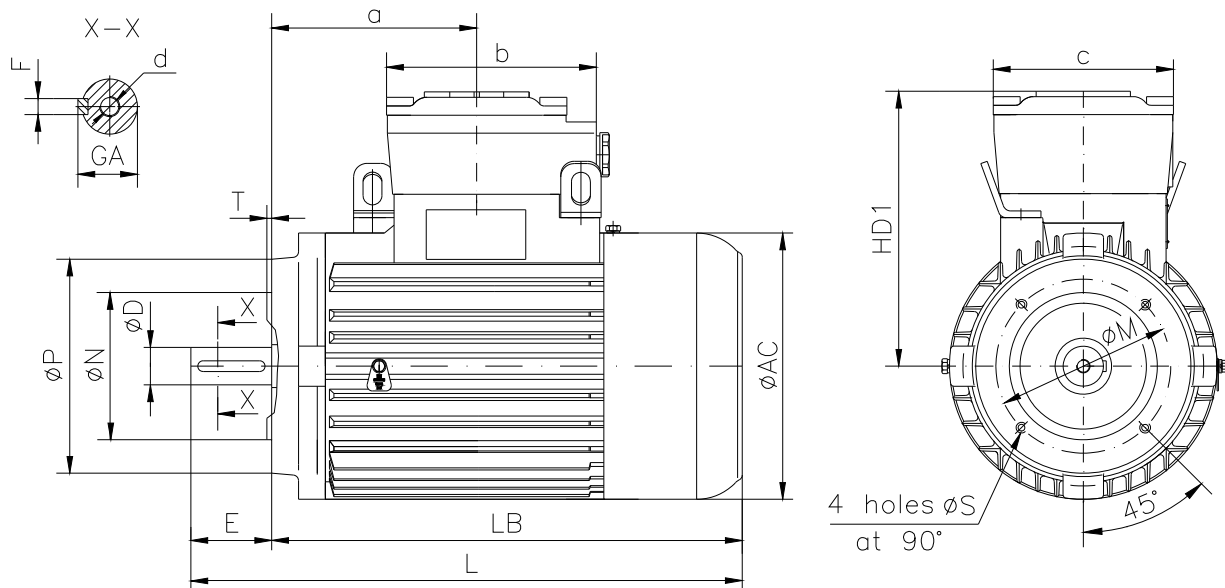
Frame size	Dimensions (mm)																				
	Foot mounting										Shaft extension					HD	AC	L	a	b	c
A	B	C	H <sub>0.5</sub>	K	AA	AB	BB	BC	HA	D	E	F	GA	d							
71a-2	112	90	45	71	7	37	141	125	33	9	14j6	30	5h9	16	M5	222	140	295	80	105	95

**The overall and mounting dimensions  
IM 3001; IM 3011**



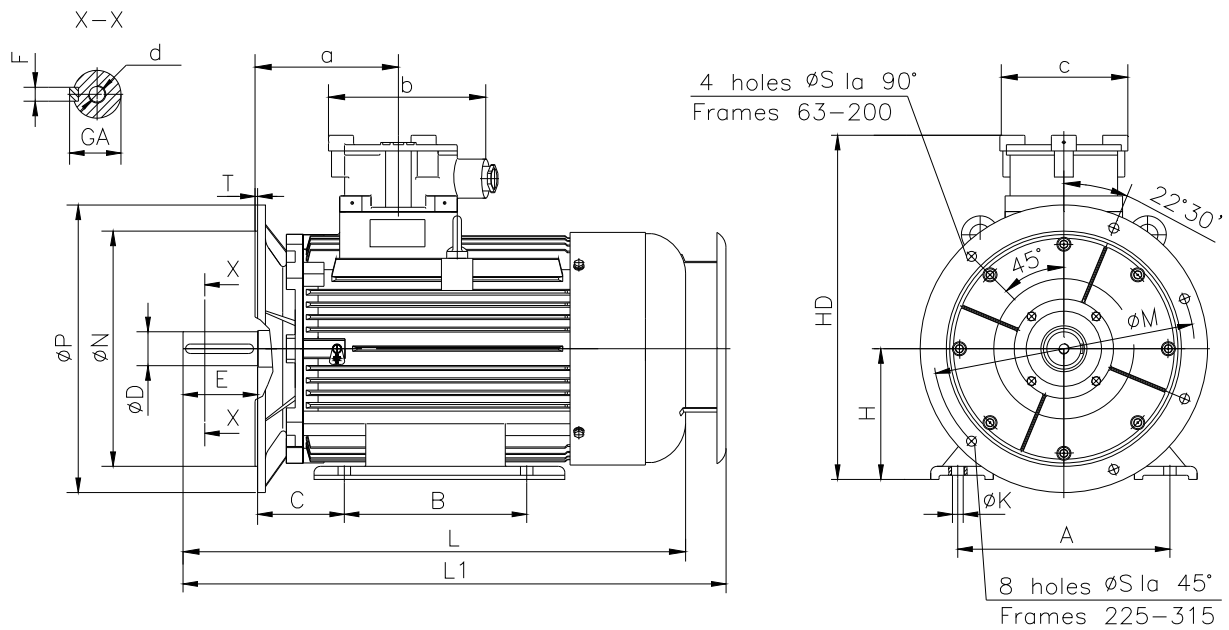
Frame size	Dimensions (mm)																		
	Flange mounting (B5)					Shaft extension					HD1	AC	LA	LB	L	L1	a	b	c
	N	M	P	S	T	D	E	F	GA	d									
71a-2	110j6	130	160	10	3.5	14j6	30	5h9	16	M5	151	140	8	265	295	309	80	105	95

**The overall and mounting dimensions  
IM 3601**



Frame size	Flange	Dimensions (mm)													
		Flange mounting (B14)					Shaft extension		HD1	AC	LB	L	a	b	c
		N	M	P	S	T	D	E							
71a-2	F85	70j6	85	105	M6	2.5	14j6	30	151	140	265	295	80	105	95
	F115	95j6	115	140	M8	3									

**The overall and mounting dimensions  
IM 2001**



Frame size	Dimensions (mm)																				
	Foot mounting					Flange mounting					Shaft extension					HD	L	L1	a	b	c
71a-2	A	B	C	H <sub>0,5</sub>	K	N	M	P	S	T	D	E	F	GA	d						
	112	90	45	71	7	110j6	130	160	10	3.5	14j6	30	5h9	16	M5	222	295	309	80	105	95