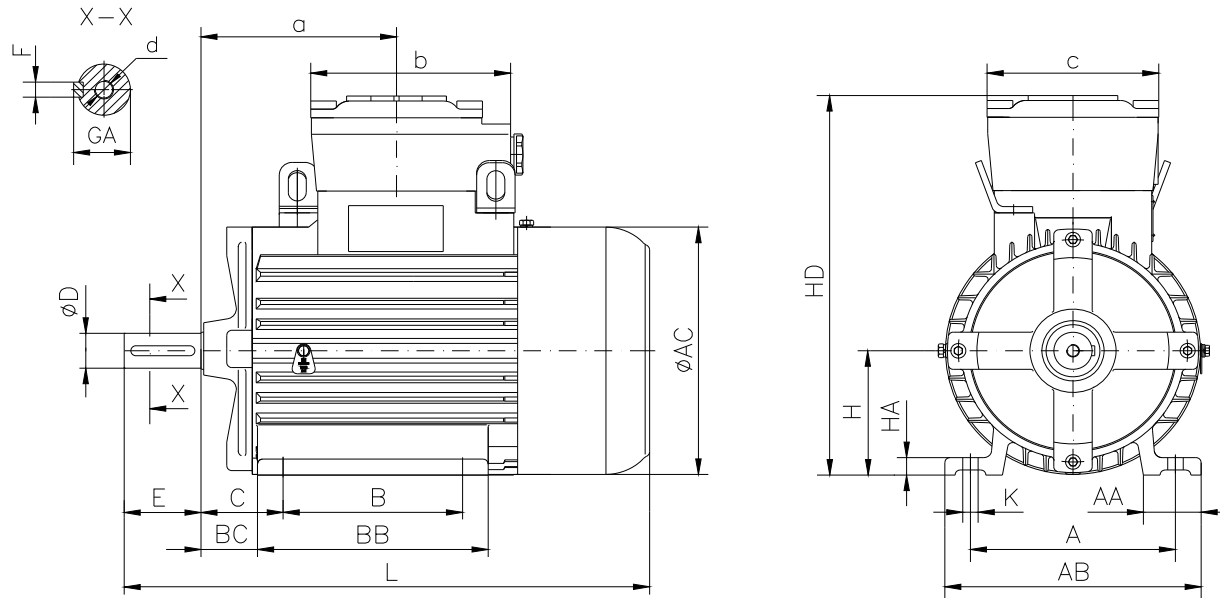


DATA SHEET

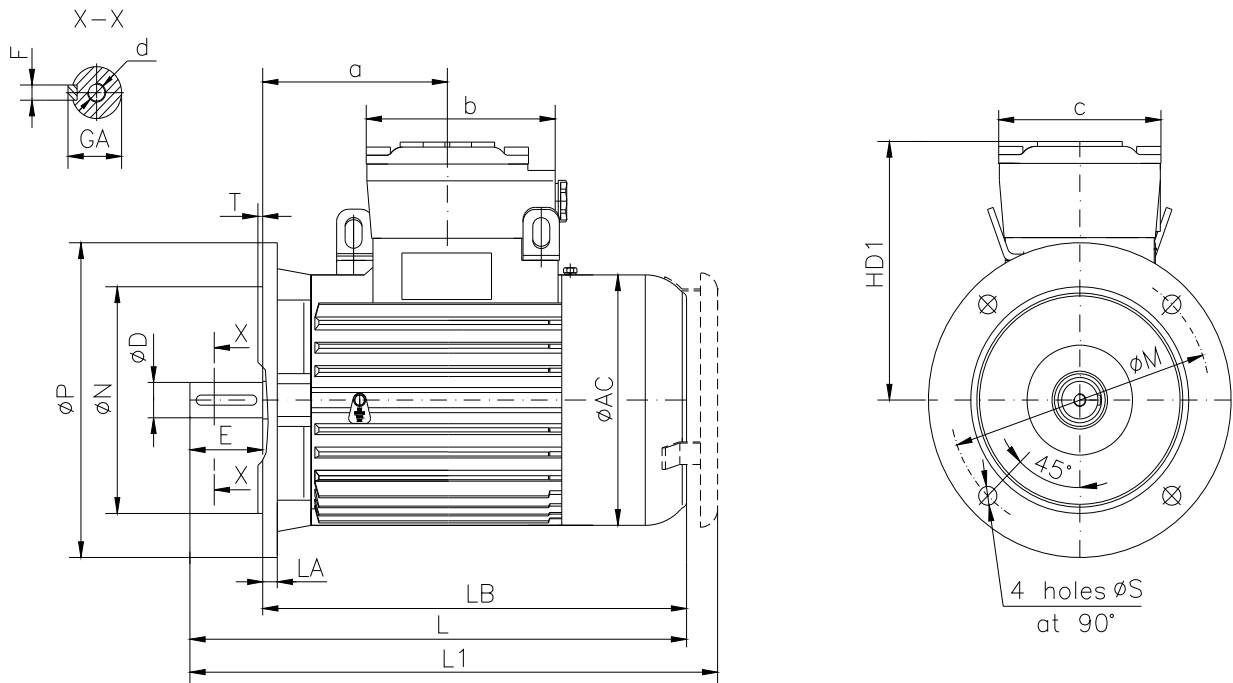
| | |
|------------------------------------|--------------------------------------------|
| ○ Type..... | ASA 63b-4 |
| ○ Reference standard..... | IEC 60034-1 EN 60079-0 EN 60079-1 |
| ○ Rated output..... | 0.18 kW |
| ○ Rated stator voltage..... | 400V |
| ○ Stator current at 100% load..... | 0.58 [A] |
| ○ Number of poles..... | 4 |
| ○ Rated speed..... | 1305 rev/min |
| ○ Rated frequency..... | 50Hz |
| ○ Efficiency at 100% load..... | 63.5% |
| ○ Power factor at 100% load..... | 0.7 |
| ○ Break-down torque..... | 2.7 x Mn |
| ○ Locked rotor torque..... | 2.7 x Mn |
| ○ Locked rotor current..... | 3.3 x In |
| ○ Rotor inertia..... | 0.000266 kgm ² |
| ○ Insulation class..... | F |
| ○ Direction of rotation..... | Both(CW&CCW) |
| ○ Protection degree..... | ≥IP55 |
| ○ Mounting..... | IM |
| ○ Cooling method..... | IC 411 |
| ○ Max. ambient temperature..... | 40°C |
| ○ Altitude..... | 1000m |
| ○ Bearing type..... | 6202 2Z drive end 6202 2Z non drive end |
| ○ Weight..... | 12 Kg |
| ○ Outline drawing..... | Page 2 |
| ○ Vibration level :..... | A (acc.IEC 60034-14) |
| ○ Noise level | acc.IEC 60034-9 |
| ○ Cable entries..... | 1xM25x1.5 |
| ○ Climate execution | N |

**The overall and mounting dimensions
IM 1001**



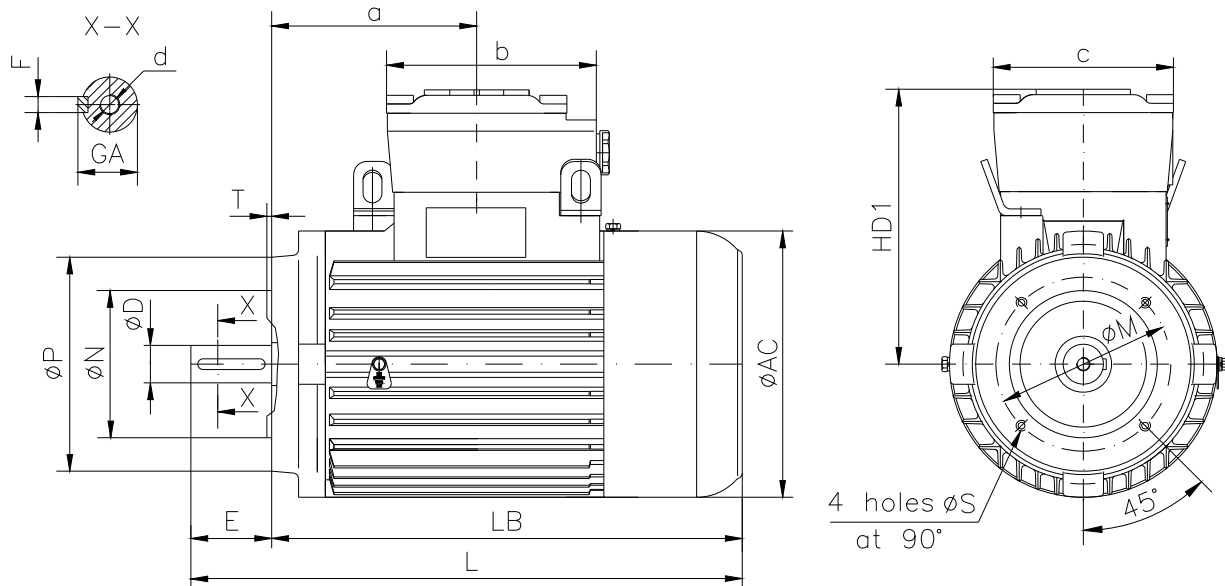
| Frame size | Dimensions (mm) | | | | | | | | | | | | | | | | | | | | |
|------------|-----------------|----|-----------|----|----|----|-----|-----|------|---|-----------------|----|-----|------|----|-----|-----|-----|-----|-----|----|
| | Foot mounting | | | | | | | | | | Shaft extension | | | | | | HD | AC | L | a | b |
| A | B | C | $H_{0.5}$ | K | AA | AB | BB | BC | HA | D | E | F | GA | d | | | | | | | |
| 63b-4 | 100 | 80 | 40 | 63 | 7 | 31 | 131 | 104 | 28.5 | 9 | 11j6 | 23 | 4h9 | 12.5 | M4 | 200 | 125 | 259 | 100 | 105 | 95 |

**The overall and mounting dimensions
IM 3001; IM 3011**



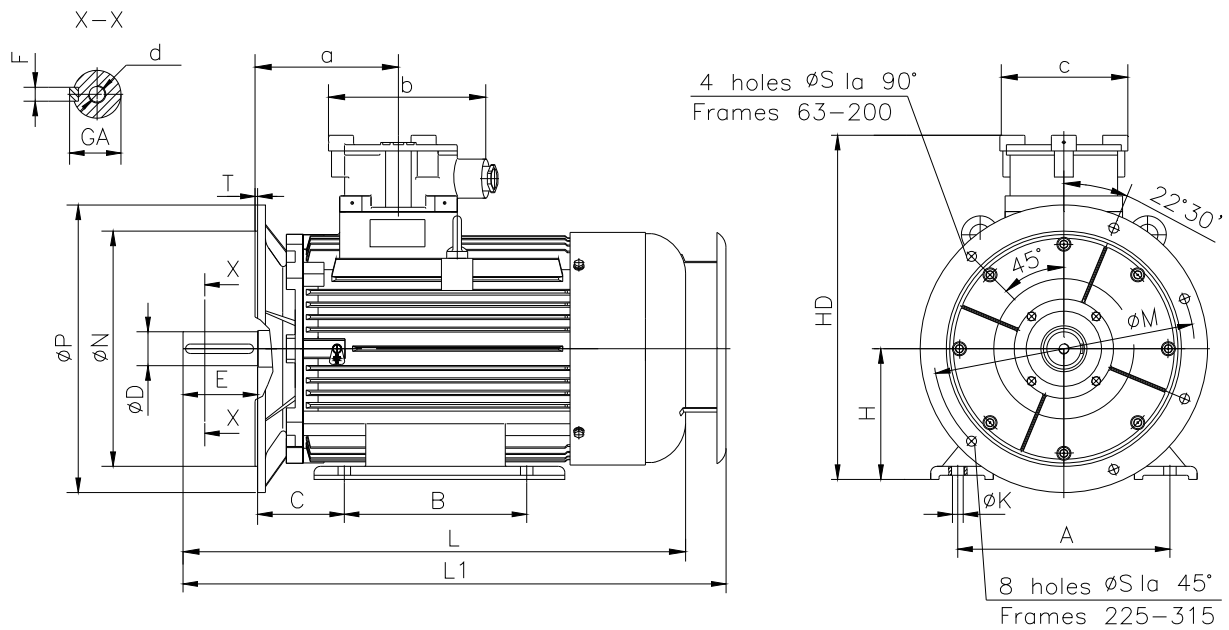
| Frame size | Dimensions (mm) | | | | | | | | | | HD1 | AC | LA | LB | L | L1 | a | b | c |
|------------|----------------------|-----|-----|----|---|-----------------|----|-----|------|----|-----|-----|----|-----|-----|-----|-----|-----|----|
| | Flange mounting (B5) | | | | | Shaft extension | | | | | | | | | | | | | |
| | N | M | P | S | T | D | E | F | GA | d | | | | | | | | | |
| 63b-4 | 95j6 | 115 | 140 | 10 | 3 | 11j6 | 23 | 4h9 | 12.5 | M4 | 137 | 125 | 8 | 236 | 259 | 273 | 100 | 105 | 95 |

**The overall and mounting dimensions
IM 3601**



| Frame size | Flange | Dimensions (mm) | | | | | | | | | | | | | |
|------------|--------|-----------------------|-----|-----|----|-----|-----------------|----|-----|-----|-----|-----|-----|-----|----|
| | | Flange mounting (B14) | | | | | Shaft extension | | HD1 | AC | LB | L | a | b | c |
| | | N | M | P | S | T | D | E | | | | | | | |
| 63b-4 | F75 | 60j6 | 75 | 90 | M5 | 2.5 | 11j6 | 23 | 137 | 125 | 236 | 259 | 100 | 105 | 95 |
| | F100 | 80j6 | 100 | 120 | M6 | 3 | | | | | | | | | |

**The overall and mounting dimensions
IM 2001**



| Frame size | Dimensions (mm) | | | | | | | | | | | | | | | | | | | | |
|------------|-----------------|----|----|------------------|---|-----------------|-----|-----|----|---|-----------------|----|-----|------|----|-----|-----|-----|-----|-----|----|
| | Foot mounting | | | | | Flange mounting | | | | | Shaft extension | | | | | HD | L | L1 | a | b | c |
| | A | B | C | H _{0,5} | K | N | M | P | S | T | D | E | F | GA | d | | | | | | |
| 63b-4 | 100 | 80 | 40 | 63 | 7 | 95j6 | 115 | 140 | 10 | 3 | 11j6 | 23 | 4h9 | 12.5 | M4 | 200 | 259 | 273 | 100 | 105 | 95 |