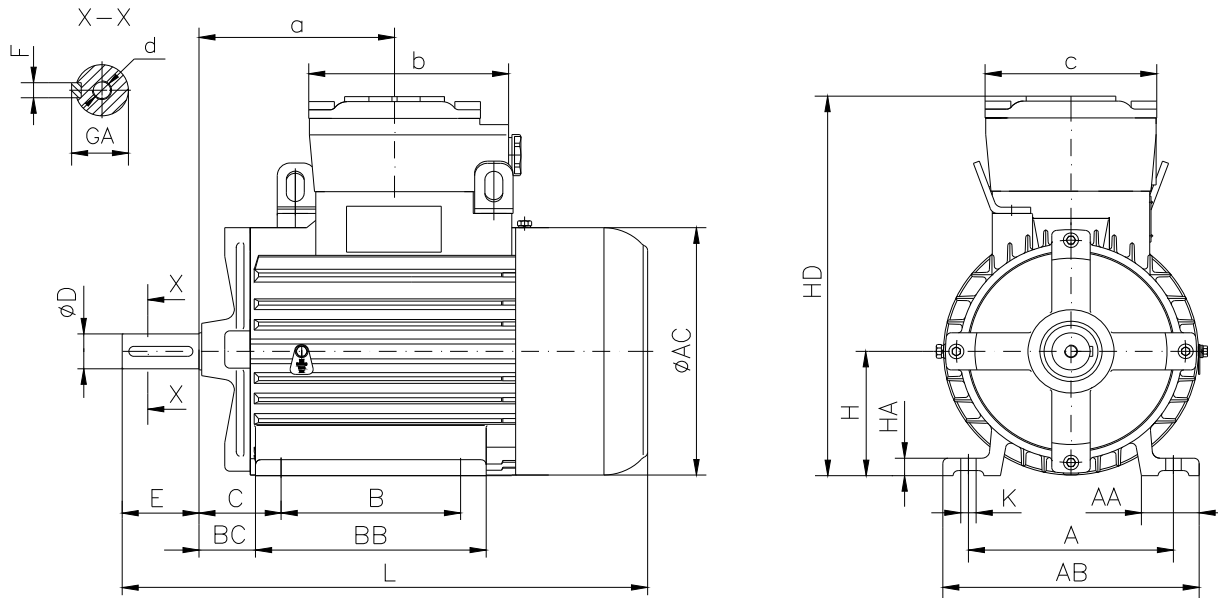


DATA SHEET

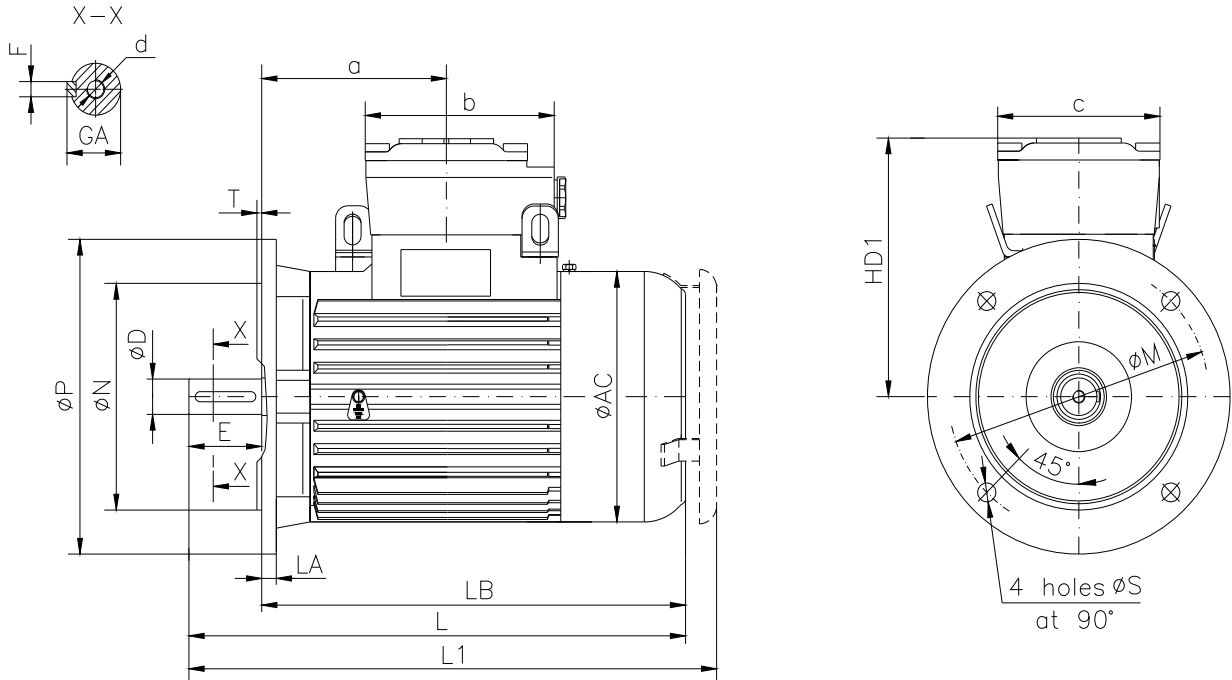
○ Type.....	ASA 100LX-6
○ Reference standard.....	IEC 60034-1
	EN 60079-0
	EN 60079-1
	EN 60079-7
○ Rated output.....	1.5 kW
○ Rated stator voltage.....	400V
○ Stator current at 100% load.....	3.7[A]
○ Number of poles.....	6
○ Rated speed.....	950 rev/min
○ Rated frequency.....	50 Hz
○ Efficiency at 100% load.....	77%
○ Power factor at 100% load.....	0.76
○ Break-down torque.....	2.2 x Mn
○ Locked rotor torque.....	1.9 x Mn
○ Locked rotor current.....	4.6 x In
○ Rotor inertia.....	0.012386 kgm ²
○ Insulation class.....	F
○ Direction of rotation.....	Both(CW&CCW)
○ Protection degree.....	≥IP55
○ Mounting.....	IM
○ Cooling method.....	IC 411
○ Max. ambient temperature.....	+ 40°C
○ Altitude.....	1000m
○ Bearing type.....	6306 2Z drive end 6306 2Z non drive end
○ Weight.....	48 Kg
○ Outline drawing.....	Page 2
○ Vibration level :.....	A (acc.IEC 60034-14)
○ Noise level	acc.IEC 60034-9
○ Cable entries.....	2xM32x1.5
○ Climate execution	N

**The overall and mounting dimensions
IM 1001**



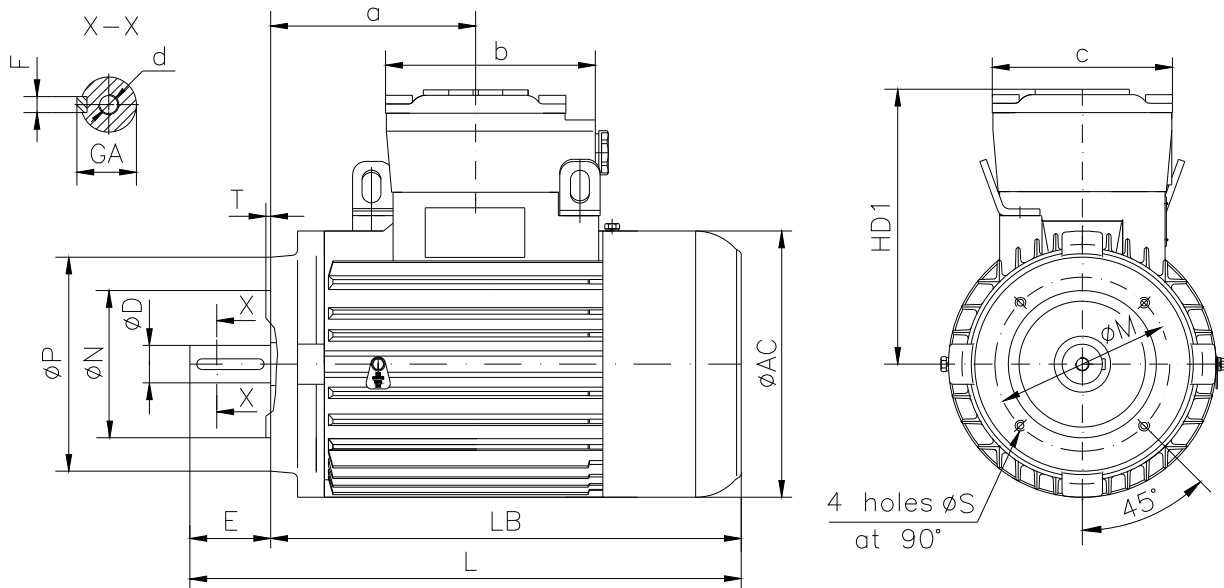
Frame size	Dimensions (mm)																				
	Foot mounting										Shaft extension						HD	AC	L	a	b
100 LX-6	A	B	C	H _{0.5}	K	AA	AB	BB	BC	HA	D	E	F	GA	d						
	160	140	63	100	12	45	200	200	43	14	28j6	60	8h9	31	M10	307	199	437	165	160	135

**The overall and mounting dimensions
IM 3001; IM 3011**



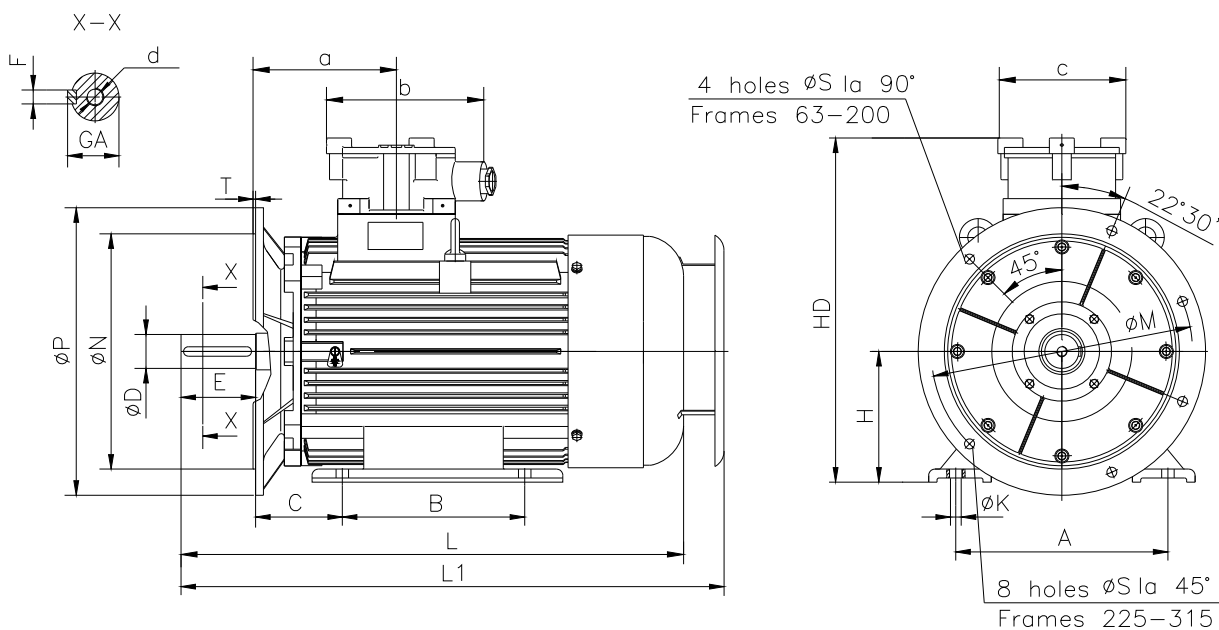
Frame size	Dimensions (mm)																		
	Flange mounting (B5)					Shaft extension					HD1	AC	LA	LB	L	L1	a	b	c
N	M	P	S	T	D	E	F	GA	d										
100 LX-6	180j6	215	250	14.5	4	28j6	60	8h9	31	M10	207	199	12	377	437	461	165	160	135

**The overall and mounting dimensions
IM 3601**



Frame size	Dimensions (mm)														
	Flange mounting (B14)					Shaft extension		HD1	AC	LB	L	a	b	c	
	N	M	P	S	T	D	E								
100 LX-6	F130	110j6	130	160	M8	3.5	28j6	60	207	199	377	437	165	160	135
	F165	130j6	165	200	M10										

The overall and mounting dimensions
IM 2001



Frame size	Dimensions (mm)																				
	Foot mounting					Flange mounting					Shaft extension					HD	L	L1	a	b	c
100 LX-6	A	B	C	H _{-0.5}	K	N	M	P	S	T	D	E	F	GA	d						
	160	140	63	100	12	180j6	215	250	14.5	4	28j6	60	8h9	31	M10	307	437	461	165	160	135