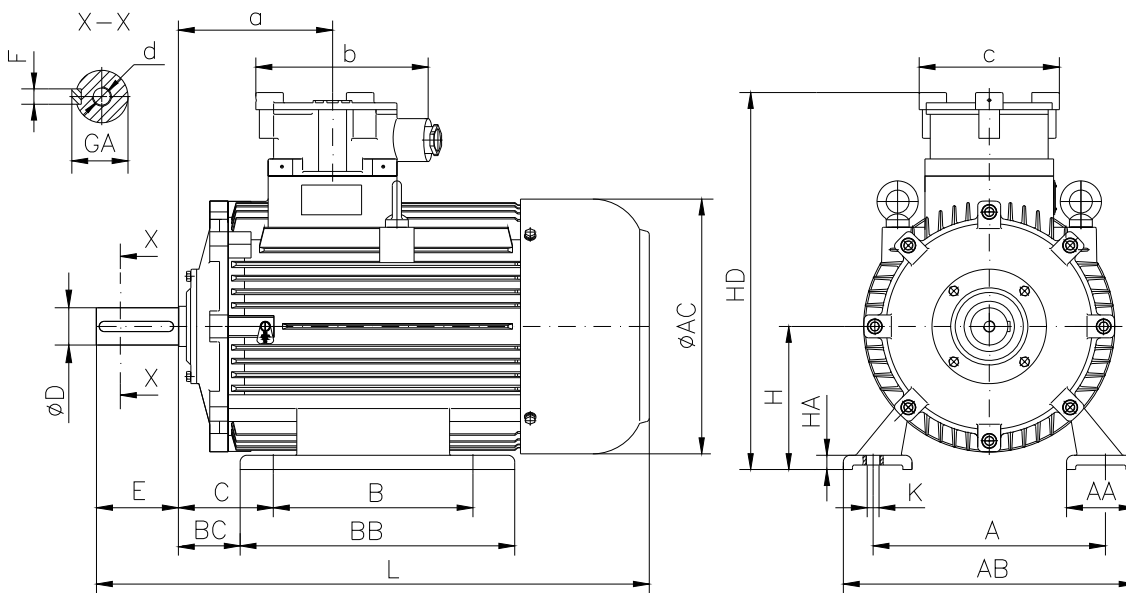


DATA SHEET

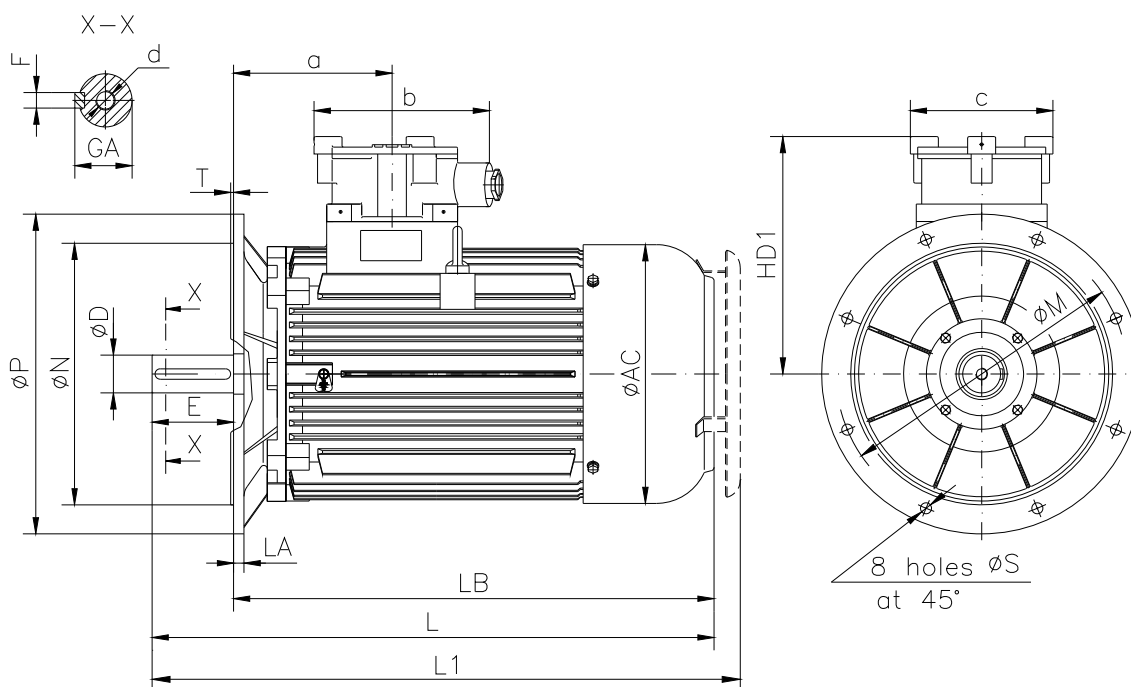
○ Type.....	ASA 355M-4
○ Reference standard.....	IEC 60034-1 EN 60079-0 EN 60079-1 EN 60079-7
○ Rated output.....	250 kW
○ Rated stator voltage.....	400V
○ Stator connection.....	Δ
○ Stator current at 100% load	430 [A]
○ Number of poles.....	4
○ Rated speed/Rated frequency.....	1485 rev/min/50Hz
○ Efficiency at 100% load.....	95.3%
○ Power factor at 100% load.....	0.88
○ Break-down torque.....	2.3 x Mn
○ Locked rotor torque.....	2.3x Mn
○ Locked rotor current.....	6.5 x In
○ J motor	6.7910 kgm ²
○ Insulation class.....	F
○ Direction of rotation.....	REVERSIBLE
○ Protection degree.....	≥IP55
○ Mounting.....	IM
○ Cooling method.....	IC 411
○ Max. ambient temperature.....	40°C
○ Altitude.....	1000m
○ Bearing type.....	6322 drive end 6322 non drive end
○ Lubrication.....	regreasable bearings with UM 185 Li 3, Shell Alvania R3, SKF LGTH3 or similar
○ Relubricated interval	7500[hrs] DE and NDE
○ Corrected interval.....	6000 [hrs] DE and NDE
○ Grease quantity	75g/bearing DE and NDE
○ Weight.....	1795 Kg
○ Outline drawing.....	Page 2
○ Vibration level :	A (acc.IEC 60034-14)
○ Noise level	acc.IEC 60034-9
○ Cable entries.....	2 xM63x1.5
○ Minimum and maximum admissible supply cable diameter.....	29-44mm
○ Climate execution	N

**The overall and mounting dimensions
IM 1001**



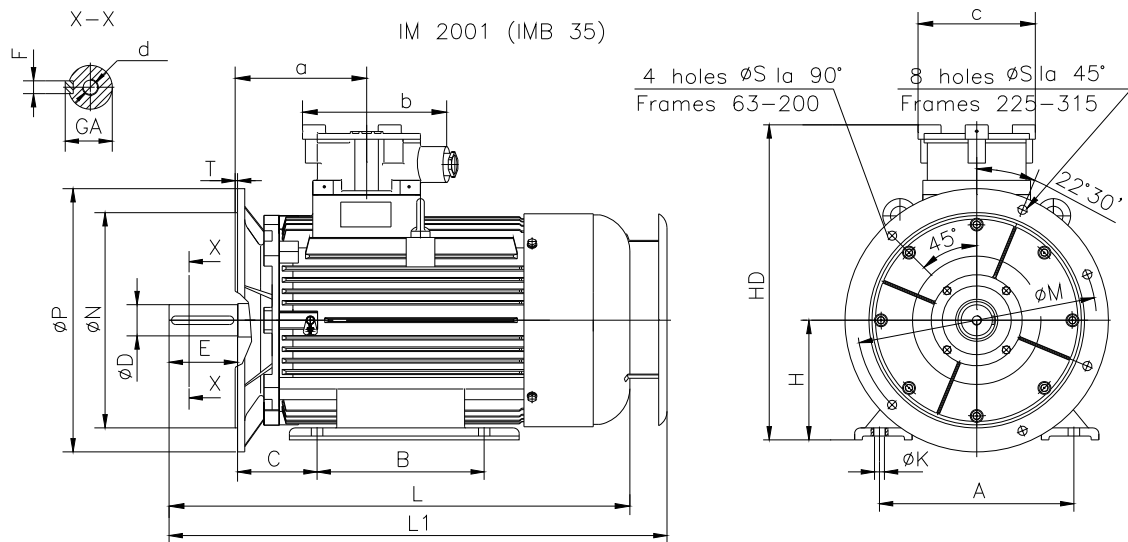
Frame size	Dimensions (mm)																				
	Foot mounting										Shaft extension					HD	AC	L	a	b	c
A	B	C	H _{0.5}	K	AA	AB	BB	BC	HA	D	E	F	GA	d							
355 M-4	610	560	254	355	28	110	714	695	177	32	100m6	210	28	106	M24	960	705	1490	320	460	355

**The overall and mounting dimensions
IM 3001; IM 3011**



Frame size	Dimensions (mm)																		
	Flange mounting (B5)					Shaft extension						HD1	AC	LA	LB	L	L1	a	b
N	M	P	S	T	D	E	F	GA	d										
355 M-4	680j6	740	800	24	6	100 m6	210	28h9	106	M24	605	705	35	1270	1490	1590	320	460	355

**The overall and mounting dimensions
IM 2001**



rame size	Dimensions (mm)																				
	Foot mounting					Flange mounting					Shaft extension					HD	L	L1	a	b	c
A	B	C	H _{0,5}	K	N	M	P	S	T	D	E	F	GA	d							
355 M-4	610	560	254	355	28	680j6	740	800	24	6	100m6	210	28h9	106	M24	960	1490	1590	320	460	355