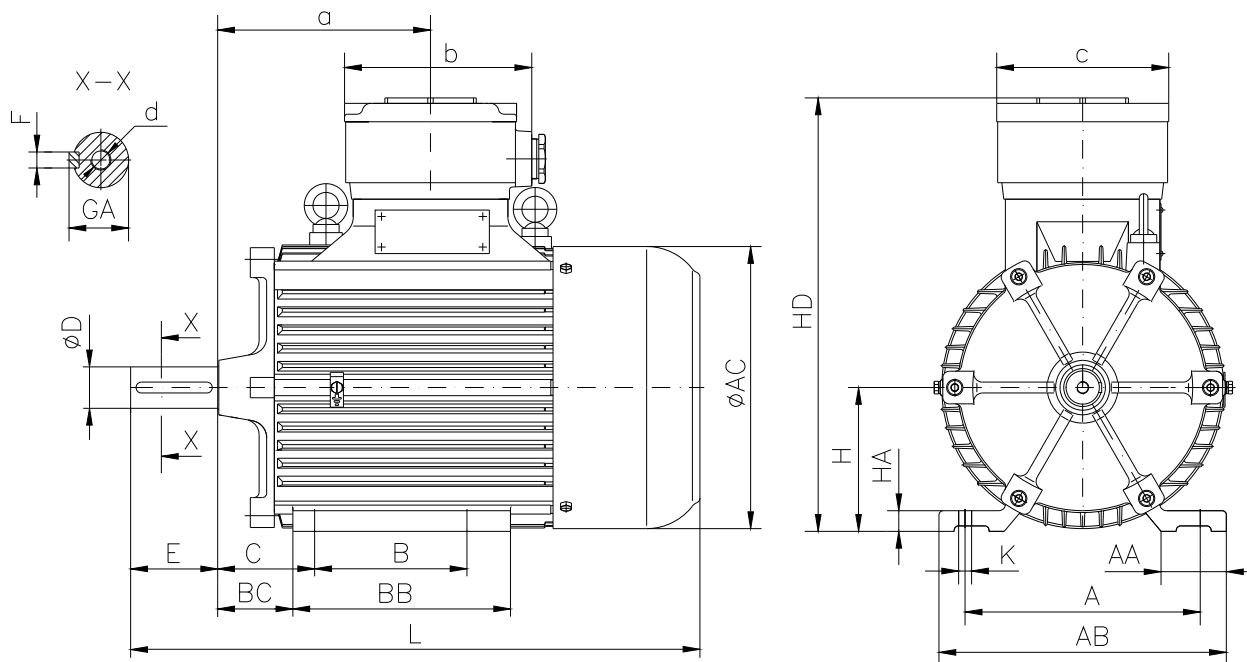


**DATA SHEET**

○ Type.....	ASA 160L-6
○ Reference standard.....	IEC 60034-1 EN 60079-0 EN 60079-1
○ Rated output.....	7.5 kW
○ Rated stator voltage.....	480 V Δ
○ Stator current at 100% load.....	13.8 [A]
○ Number of poles.....	6
○ Rated speed.....	1162 rev/min
○ Rated duty.....	S1(continuous duty)
○ Starting method.....	DOL
○ Rated frequency.....	60 Hz
○ Efficiency at 100% load.....	87%
○ Power factor at 100% load.....	0.77
○ Break-down torque.....	2.4 x Mn
○ Locked rotor torque.....	2.1 x Mn
○ Locked rotor current.....	6.5 x In
○ Rotor inertia .....	0.148 kgm <sup>2</sup>
○ Insulation class/temperature rise.....	F/B
○ Direction of rotation.....	Both(CW&CCW)
○ Protection degree.....	IP56
○ Mounting.....	IM B3
○ Cooling method.....	IC 411
○ Max. ambient temperature .....	up to + 45°C
○ Altitude.....	1000m
○ Bearing type.....	6310 2Z drive end 6310 2Z non drive end
○ Weight.....	156 Kg
○ Thermal winding protection.....	3xPTC
○ Heater resistance.....	1x50Wx230V
○ Outline drawing.....	Page 2
○ Vibration level : .....	A (acc.IEC 60034-14 )
○ Noise level .....	acc.IEC 60034-9
○ Cable entries.....	2xM40x1.5
○ Additional cable entries.....	2xM20x1.5
○ Climate execution .....	Tropical
○ <b>Preliminary values.....</b>	<b>Calculation</b>

**The overall and mounting dimensions  
IM 1001**



Frame size	Dimensions (mm)																				
	Foot mounting										Shaft extension						HD	AC	L	a	b
160 L-6	A	B	C	H <sub>0.5</sub>	K	AA	AB	BB	BC	HA	D	E	F	GA	d						
	254	254	108	160	14.5	80	320	300	80	20	42k6	110	12h9	45	M16	471	317	660	245	210	195