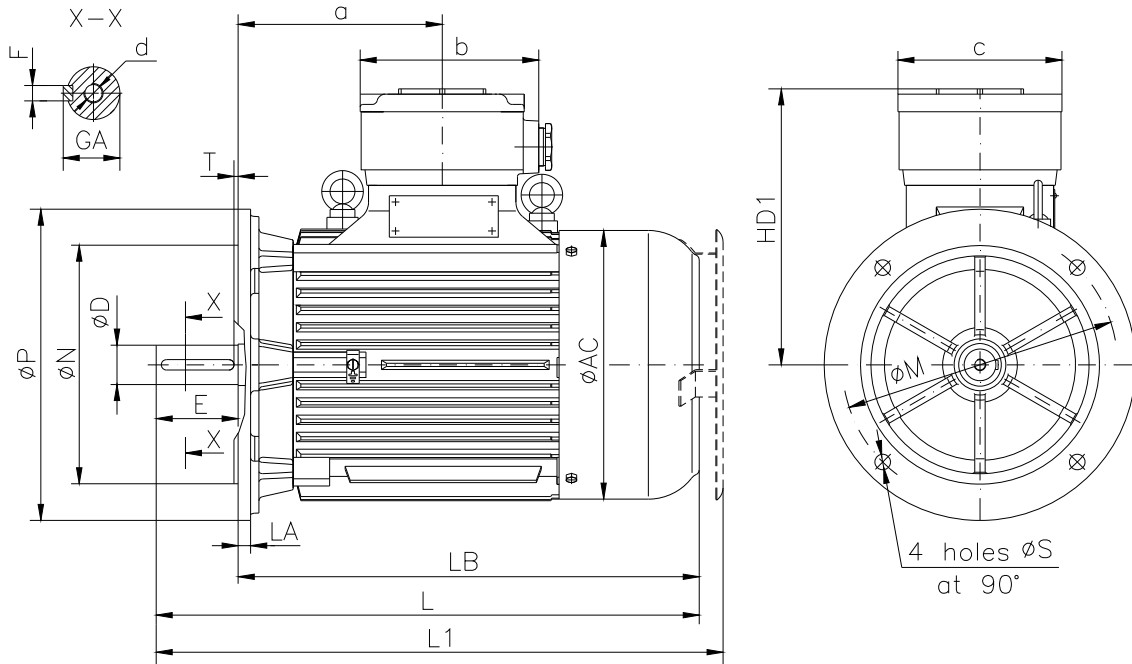


**DATA SHEET**

○ Type.....	ASA 200L-4
○ Reference standard.....	IEC 60034-1 EN 60079-0 EN 60079-1
○ Rated output.....	35 kW
○ Rated stator voltage.....	440 V Δ
○ Rated frequency.....	60 Hz
○ Stator current at 100% load.....	58 A
○ Number of poles.....	4
○ Rated speed.....	1771 rev/min
○ <b>Rated duty</b> .....	<b>S1(continuous)</b>
○ Efficiency at 100% load.....	91.9%
○ Power factor at 100% load.....	0.86
○ Break-down torque.....	2.9 x Mn
○ Locked rotor torque.....	2.4 x Mn
○ Locked rotor current.....	7.0 x In
○ Rotor inertia.....	0.254287 kgm <sup>2</sup>
○ Insulation class.....	F
○ Direction of rotation.....	Both(CW&CCW)
○ Protection degree.....	≥IP55
○ Mounting.....	IM B5
○ Cooling method.....	IC 411
○ Max. ambient temperature.....	up to +45°C
○ Altitude.....	1000m
○ Bearing type.....	6312 2Z drive end 6312 2Z non drive end
○ Weight.....	294 Kg
○ Outline drawing.....	Page 2
○ Thermal winding protection.....	3xPTC
○ Heating resistance.....	1x80Wx230V
○ Vibration level.....	A(acc.IEC 60034-14)
○ Noise level .....	acc.IEC 60034-9
○ Cable entries.....	2xM50x1.5
○ Additional cable entries.....	2xM20x1.5
○ Climate execution .....	Tropical
○ <b>Preliminary values</b> .....	<b>Calculation</b>

**The overall and mounting dimensions  
IM 3001; IM 3011**



Frame size	Dimensions (mm)																		
	Flange mounting (B5)					Shaft extension					HD1	AC	LA	LB	L	L1	a	b	c
N	M	P	S	T	D	E	F	GA	d										
200 L-4	300j6	350	400	18.5	5	55m6	110	16h9	59	M20	383	396	16	693	805	849	310	275	240